

# HITACHI

## Inspire the Next

Hard Disk Drive Specification

## Deskstar 7K80 SATA

3.5 inch Serial ATA Hard Disk Drive

Models:

HDS728040PLA320

HDS728080PLA380



Version 1.3

12 September 2006



# HITACHI

## Inspire the Next

Hard Disk Drive Specification

## Deskstar 7K80 SATA

3.5 inch Serial ATA Hard Disk Drive

Models:

HDS728040PLA320

HDS728080PLA380



Version 1.3

12 September 2006

**1st Edition (Revision 1.0) (13 January 2005) Revised**  
**2nd Edition (Revision 1.1)(18 November 2005) Revision**  
**3rd Edition (Revision 1.2)(16 December 2005) Revision**  
**4th Edition (Revision 1.3)(12 September 2006) Final**

**The following paragraph does not apply to the United Kingdom or any country where such provisions are inconsistent with local law: HITACHI GLOBAL STORAGE TECHNOLOGIES PROVIDES THIS PUBLICATION "AS IS" WITHOUT WARRANTY OF ANY KIND, EITHER EXPRESS OR IMPLIED, INCLUDING, BUT NOT LIMITED TO, THE IMPLIED WARRANTIES OF MERCHANTABILITY OR FITNESS FOR A PARTICULAR PURPOSE. Some states do not allow disclaimer or express or implied warranties in certain transactions, therefore, this statement may not apply to you.**

This publication could include technical inaccuracies or typographical errors. Changes are periodically made to the information herein; these changes will be incorporated in new editions of the publication. Hitachi may make improvements or changes in any products or programs described in this publication at any time.

It is possible that this publication may contain reference to, or information about, Hitachi products (machines and programs), programming, or services that are not announced in your country. Such references or information must not be construed to mean that Hitachi intends to announce such Hitachi products, programming, or services in your country.

Technical information about this product is available by contacting your local Hitachi Global Storage Technologies representative or on the Internet at

**<http://www.hitachigst.com>**

Hitachi Global Storage Technologies may have patents or pending patent applications covering subject matter in this document. The furnishing of this document does not give you any license to these patents. ©Copyright Hitachi Global Storage Technologies

Note to U.S. Government Users - Documentation related subject to restricted rights - Use, duplication or disclosure is subject to restrictions set forth in GSA ADP Schedule Contract with Hitachi Global Storage Technologies Inc.

# Table Of Contents

<b>1.0 General.....</b>	<b>11</b>
1.1 Introduction.....	11
1.2 References.....	11
1.3 Abbreviations.....	11
1.4 Caution.....	13
<b>2.0 General features of the drive .....</b>	<b>15</b>
<b>3.0 Fixed-disk subsystem description.....</b>	<b>19</b>
3.1 Control electronics.....	19
3.2 Head disk assembly .....	19
3.3 Actuator .....	19
<b>4.0 Drive characteristics .....</b>	<b>21</b>
4.1 Default logical drive parameters.....	21
4.2 Data sheet.....	22
4.3 World Wide Name Assignment.....	22
4.4 Drive organization .....	22
4.4.1 Drive format.....	22
4.4.2 Cylinder allocation.....	23
4.5 Performance characteristics .....	24
4.5.1 Command overhead .....	24
4.5.2 Mechanical positioning.....	24
4.5.3 Drive ready time .....	26
4.5.4 Data transfer speed.....	27
4.5.5 Throughput.....	28
4.5.6 Operating modes .....	29
<b>5.0 Defect flagging strategy .....</b>	<b>31</b>
<b>6.0 Electrical interface specification.....</b>	<b>33</b>
6.1 Connector location.....	33
6.1.1 4 pin DC power connector .....	33
6.1.2 SATA Signal connector .....	33
6.2 Signal definitions .....	34
6.2.1 TX+ / TX- .....	34
6.2.2 RX+ / RX-.....	34
6.3 Out of band Signaling.....	35
<b>7.0 Environment.....</b>	<b>37</b>

7.0.1	Temperature and humidity .....	37
7.0.2	Corrosion test .....	38
7.1	DC power requirements .....	38
7.1.1	Input voltage .....	38
7.1.2	Power supply current (typical) .....	39
7.1.3	Power supply generated ripple at drive power connector .....	39
7.2	Reliability .....	40
7.2.1	Data integrity .....	40
7.2.2	Cable noise interference .....	40
7.2.3	Start/stop cycles .....	40
7.2.4	Preventive maintenance .....	40
7.2.5	Data reliability .....	40
7.2.6	Required power-off sequence .....	40
7.3	Mechanical specifications .....	41
7.3.1	Physical dimensions and weight .....	41
7.3.2	Mounting hole locations .....	42
7.3.3	Connector locations .....	42
7.3.4	Drive mounting .....	43
7.3.5	Heads unload and actuator lock .....	43
7.4	Vibration and shock .....	43
7.4.1	Operating vibration .....	43
7.4.2	Nonoperating vibration .....	44
7.4.3	Operating shock .....	44
7.4.4	Nonoperating shock .....	44
7.4.5	Nonoperating rotational shock .....	45
7.5	Acoustics .....	45
7.6	Identification labels .....	45
7.7	Safety .....	46
7.7.1	UL and CSA approval .....	46
7.7.2	German safety mark .....	46
7.7.3	Flammability .....	46
7.7.4	Safe handling .....	46
7.7.5	Environment .....	46
7.7.6	Secondary circuit protection .....	47
7.8	Electromagnetic compatibility .....	47
7.8.1	C-TICK mark .....	47
7.8.2	BSMI mark .....	47
7.9	Packaging .....	47
<b>8.0</b>	<b>General .....</b>	<b>49</b>
8.1	Introduction .....	49
8.2	Terminology .....	49
8.3	Deviations from standard .....	49
<b>9.0</b>	<b>Registers .....</b>	<b>51</b>

9.1 Alternate Status Register .....	52
9.2 Command Register .....	52
9.3 Cylinder High Register .....	52
9.4 Cylinder Low Register .....	52
9.5 Data Register.....	53
9.6 Device Control Register.....	53
9.7 Device/Head Register .....	53
9.8 Error Register.....	54
9.9 Features Register.....	54
9.10 Sector Count Register .....	55
9.11 Sector Number Register.....	55
9.12 Status Register .....	55
<b>10.0 General operation .....</b>	<b>57</b>
10.1 Reset response.....	57
10.2 Register initialization .....	58
10.3 Diagnostic and Reset considerations .....	59
10.4 Power Management Mode (Slumber and Partial).....	59
10.5 Sector Addressing Mode.....	59
10.5.1 Logical CHS addressing mode .....	59
10.5.2 LBA addressing mode .....	59
10.6 Power management features .....	61
10.6.1 Power mode .....	61
10.6.2 Power management commands .....	61
10.6.3 Standby timer .....	61
10.6.4 Interface capability for power modes .....	62
10.7 S.M.A.R.T. Function .....	63
10.7.1 Attributes .....	63
10.7.2 Attribute values.....	63
10.7.3 Attribute thresholds.....	63
10.7.4 Threshold exceeded condition .....	63
10.7.5 S.M.A.R.T. commands .....	63
10.7.6 Off-line read scanning .....	63
10.7.7 Error log.....	64
10.7.8 Self-test .....	64
10.8 Security Mode Feature Set.....	65
10.8.1 Security mode .....	65
10.8.2 Security level .....	65
10.8.3 Passwords.....	66
10.8.4 Operation example .....	66
10.8.5 Command table .....	70
10.9 Host Protected Area Feature .....	72
10.9.1 Example for operation (In LBA Mode) .....	72
10.9.2 Security extensions .....	73
10.10 Seek overlap.....	74
10.11 Write cache function.....	75

10.12 Reassign function.....	76
10.12.1 Auto Reassign function.....	76
10.13 Power-Up in Standby feature set .....	77
10.14 Advanced Power Management feature set (APM) .....	78
10.15 Automatic Acoustic Management feature set (AAM).....	79
10.16 Address Offset Feature .....	80
10.16.1 Enable/Disable Address Offset Mode.....	80
10.16.2 Identify Device Data.....	81
10.16.3 Exceptions in Address Offset Mode .....	81
10.17 48-bit Address Feature Set.....	82
10.18 Streaming feature Set.....	82
10.18.1 Streaming commands.....	83
10.18.2 Urgent bit .....	83
10.18.3 Flush to Disk bit.....	83
10.18.4 Not Sequential bit .....	83
10.18.5 Read Continuous bit.....	84
10.18.6 Write Continuous bit.....	84
10.18.7 Handle Streaming Error bit.....	84
10.18.8 Streaming Logs .....	84
10.19 SATA Interface Power Management.....	84
10.20 Software Setting Preservation.....	84
10.20.1 COMRESET Preservation Requirements .....	84
10.21 SATA II Optional Features.....	85
10.21.1 Asynchronous Signal Recovery.....	85
10.21.2 Device Power Connector Pin 11 Definition .....	85
10.21.3 Phy Event Counters .....	86
<b>11.0 Command protocol .....</b>	<b>87</b>
11.1 PIO Data In commands.....	88
11.2 PIO Data Out Commands .....	90
11.3 Non-data commands .....	92
11.4 DMA Data In Commands and DMA Data Out Commands .....	93
11.5 First-Party DMA Commands.....	94
<b>12.0 Command descriptions.....</b>	<b>95</b>
12.1 Check Power Mode (E5h/98h) .....	100
12.2 Configure Stream (51h) .....	101
12.3 Device Configuration Overlay (B1h) .....	103
12.3.1 DEVICE CONFIGURATION RESTORE (Subcommand C0h).103	
12.3.2 DEVICE CONFIGURATION FREEZE LOCK (subcommand C1h)103	
12.3.3 DEVICE CONFIGURATION IDENTIFY (subcommand C2h).104	
12.3.4 DEVICE CONFIGURATION SET (subcommand C3h) .....	104
12.4 Download Microcode (92h).....	107
12.5 Execute Device Diagnostic (90h) .....	108
12.6 Flush Cache (E7h) .....	109



12.7 Flush Cache Ext (EAh) .....	110
12.8 Format Track (50h) .....	111
12.9 Format Unit (F7h) .....	113
12.10 Identify Device (ECh) .....	114
12.11 Idle (E3h/97h) .....	124
12.12 Idle Immediate (E1h/95h) .....	125
12.13 Initialize Device Parameters (91h) .....	126
12.14 Read Buffer (E4h) .....	127
12.15 Read DMA (C8h/C9h) .....	128
12.16 Read DMA Ext (25h) .....	130
12.17 Read FPDMA Queued (60h) .....	132
12.18 Read Log Ext (2Fh) .....	134
12.18.1 General Purpose Log Directory .....	136
12.18.2 Extended Comprehensive SMART Error Log .....	137
12.18.3 Extended Self-test log sector .....	139
12.18.4 Command Error .....	140
12.18.5 Read Stream Error Log .....	141
12.18.6 Write Stream Error Log .....	142
12.18.7 Streaming Performance Log .....	143
12.19 Read Long (22h/23h) .....	145
12.20 Read Multiple (C4h) .....	147
12.21 Read Multiple Ext (29h) .....	148
12.22 Read Native Max ADDRESS (F8h) .....	150
12.23 Read Native Max Address Ext (27h) .....	151
12.24 Read Sectors (20h/21h) .....	152
12.25 Read Sector(s) Ext (24h) .....	154
12.26 Read Stream DMA (2Ah) .....	156
12.27 Read Stream PIO (2Bh) .....	160
12.28 Read Verify Sectors (40h/41h) .....	163
12.29 Read Verify Sectors Ext (42h) .....	165
12.30 Recalibrate (1xh) .....	167
12.31 Security Disable Password (F6h) .....	168
12.32 Security Erase Prepare (F3h) .....	169
12.33 Security Erase Unit (F4h) .....	170
12.34 Security Freeze Lock (F5h) .....	172
12.35 Security Set Password (F1h) .....	173
12.36 Security Unlock (F2h) .....	175
12.37 Seek (7xh) .....	177
12.38 Set Features (EFh) .....	178
12.38.1 Set Transfer mode .....	179
12.38.2 Write Cache .....	179
12.38.3 Serial ATA Feature .....	179
12.38.4 Advanced Power Management .....	180
12.38.5 Automatic Acoustic Management .....	181
12.39 Set Max ADDRESS (F9h) .....	182
12.39.1 Set Max Set Password (Feature=01h) .....	184

12.39.2 Set Max Lock (Feature=02h) .....	185
12.39.3 Set Max Unlock (Feature = 03h) .....	186
12.39.4 Set Max Freeze Lock (Feature = 04h) .....	187
12.40 Set Max Address Ext (37h).....	188
12.41 Set Multiple (C6h) .....	190
12.42 Sleep (E6h/99h) .....	191
12.43 S.M.A.R.T. Function Set (B0h) .....	192
12.43.1 S.M.A.R.T. Function Subcommands .....	193
12.43.2 Device Attribute Data Structure .....	197
12.43.3 Device Attribute Thresholds data structure .....	200
12.43.4 S.M.A.R.T. Log Directory .....	202
12.43.5 S.M.A.R.T. summary error log sector .....	202
12.43.6 Self-test log data structure .....	204
12.43.7 Selective self-test log Data Structure .....	205
12.43.8 Error reporting .....	206
12.44 Standby (E2h/96h) .....	207
12.45 Standby Immediate (E0h/94h) .....	208
12.46 Write Buffer (E8h).....	209
12.47 Write DMA (CAh/CBh) .....	210
12.48 Write DMA FUA Ext (3Dh).....	212
12.49 Write DMA Ext (35h).....	214
12.50 Write FPDMA Queued (61h) .....	216
12.51 Write Log Ext (3Fh) .....	218
12.52 Write Long (32h/33h) .....	219
12.53 Write Multiple (C5h) .....	221
12.54 Write Multiple Ext (39h) .....	223
12.55 Write Multiple FUA Ext (CEh) .....	225
12.56 Write Sectors (30h/31h).....	227
12.57 Write Sectors Ext (34h) .....	229
12.58 Write Stream DMA (3Ah) .....	231
12.59 Write Stream PIO (3Bh) .....	233
<b>13.0 Timings .....</b>	<b>237</b>

# List of Tables

Table 1. Formatted capacities .....	21
Table 2. Mechanical positioning performance .....	22
Table 3. Word Wide Name Assignment .....	22
Table 4. Cylinder allocation.....	23
Table 5. Command overhead .....	24
Table 6. Mechanical positioning performance .....	24
Table 7. Full stroke seek time .....	25
Table 8. Head switch time .....	25
Table 9. Single track seek time .....	26
Table 10. Latency Time .....	26
Table 11. Drive ready time .....	26
Table 12. Data transfer speed .....	27
Table 13. Simple Sequential Access performance.....	28
Table 14. Random Access Performance .....	28
Table 15. Description of operating modes.....	29
Table 16. Mode transition times .....	29
Table 17. PATA Plist physical format.....	31
Table 18. Interface connector pins and I/O signals.....	34
Table 19. The timing of COMRESET, COMINIT and COMWAKE.....	35
Table 20. Parameter Descriptions .....	35
Table 21. Temperature and humidity.....	37
Table 22. Limits of temperature and humidity .....	38
Table 23. Input voltage .....	38
Table 24. Power supply current of 80GB and 40GB models .....	39
Table 25. Power supply generated ripple at drive power connector.....	39
Table 26. Random vibration PSD profile break points (operating).....	43
Table 27. Random Vibration PSD profile breakpoints (nonoperating).....	44
Table 28. Sinusoidal shock wave.....	45
Table 29. Rotational shock .....	45
Table 30. Sound power levels.....	45
Table 31. Alternate Status Register .....	52
Table 32. Device Control Register .....	53
Table 33. Device Head/Register .....	53
Table 34. Error Register.....	54
Table 35. Status Register .....	55
Table 36. Reset response table.....	57
Table 37. Default Register Values .....	58
Table 38. Diagnostic codes .....	58
Table 39. Power conditions .....	62
Table 40. Initial setting .....	67
Table 41. Usual operation for POR .....	68

Table 42.Password lost .....	69
Table 43.Seek overlap.....	74
Table 44.Device address map before and after Set Feature.....	80
Table 45.Command Set.....	95
Table 46.Command Set (subcommand).....	98
Table 47.Check Power Mode command (E5h/98h).....	100
Table 48.Configure Stream (51h) .....	101
Table 49.Check Power Mode Command (E5h/98h).....	103
Table 50.Device Configuration Overlay Features register values .....	103
Table 51.Device Configuration Overlay Data structure .....	105
Table 52.DCO error information definition.....	106
Table 53.Downlad Microcode Command (92h) .....	107
Table 54.Execute Device Diagnostic command (90h) .....	108
Table 55.Flush Cache command (E7h).....	109
Table 56.Flush Cache Ext Command (EAh) .....	110
Table 57.Format Track command (50h) .....	111
Table 58.Format Unit command (F7h) .....	113
Table 59.Identify Device command (ECh).....	114
Table 60.Identify device information (Part 1 of 7) .....	115
Table 61.Identify device information (Part 2 of 8).....	116
Table 62.Identify device information (Part 3 of 8).....	117
Table 63.Identify device information (Part 4 of 8) .....	118
Table 64.Identify device information (Part 5 of 8).....	119
Table 65.Identify device information (Part 6 of 8).....	120
Table 66.Identify device information (Part 7 of 8).....	121
Table 67.Identify device information (Part 7 of 8).....	122
Table 68.Identify device information (Part 8 of 8).....	123
Table 69.Idle command (E3h/97h) .....	124
Table 70.Idle Immediate command (E1h/95h).....	125
Table 71.Initialize Device Parameters command (91h).....	126
Table 72.Read Buffer (E4h).....	127
Table 73.Read DMA command (C8h/C9h).....	128
Table 74.Read DMA Ext Command (25h).....	130
Table 75.Read Log Ext Command (2Fh).....	134
Table 76.Log Address Definition .....	135
Table 77.General Purpose Log Directory .....	136
Table 78.Extended Comprehensive SMART Error Log .....	137
Table 79.Extended Error log data structure .....	137
Table 80.Command data structure .....	138
Table 81.Error data structure .....	138
Table 82.Read Stream Error Log.....	141
Table 83.Stream Error Log entry .....	142
Table 84.Write Stream Error Log.....	143
Table 85.Streaming Performance Parameters log.....	144
Table 86.Sector Time Array Entry (Linearly Interpolated).....	144
Table 87.Access Time Array Entry (Linearly Interpolated).....	144

Table 88.Read Long (22h/23h).....	145
Table 89.Read Multiple (C4h).....	147
Table 90.Read DMA Ext Command (25h).....	148
Table 91.Read Native Max ADDRESS (F8h).....	150
Table 92.Read Native Max Address Ext command (27h).....	151
Table 93.Read Sectors Command (20h/21h).....	152
Table 94.Read Sector(s) Ext command (24h).....	154
Table 95.Read Stream DMA Command (2Ah).....	156
Table 96.Read Stream PIO (2Bh).....	160
Table 97.Read Verify Sectors (40h/41h).....	163
Table 98.Read Verify Sectors Ext command (42h).....	165
Table 99.Recalibrate (1xh).....	167
Table 100.Security Disable Password (F6h).....	168
Table 101.Password Information for Security Disable Password command.....	168
Table 102.Security Disable Password (F3h).....	169
Table 103.Security Erase Unit (F4h).....	170
Table 104.Erase Unit information.....	170
Table 105.Security Freeze Lock command (F5h).....	172
Table 106.Security Set Password command (F1h).....	173
Table 107.Security Set Password Information.....	173
Table 108.Security Unlock command (F2h).....	175
Table 109.Seek command (7xh).....	177
Table 110.Set Features command (EFh).....	178
Table 111.Set Max ADDRESS command (F9h).....	182
Table 112.Set Max Set Password command.....	184
Table 113.Set Max Set Password data contents.....	184
Table 114.Set Max Lock command.....	185
Table 115.Set Max Unlock command (F9h).....	186
Table 116.Set Max Freeze Lock (F9h).....	187
Table 117.Set Max Address Ext command (37h).....	188
Table 118.Set Multiple command (C6h).....	190
Table 119.Sleep command (E6h/99h).....	191
Table 120.S.M.A.R.T. Function Set command (B0h).....	192
Table 121.Device Attribute Data Structure.....	197
Table 122.Individual Attribute Data Structure.....	197
Table 123.Device Attribute Thresholds Data Structure.....	201
Table 124.Individual Threshold Data Structure.....	201
Table 125.S.M.A.R.T. Log Directory.....	202
Table 126.S.M.A.R.T. summary error log sector.....	202
Table 127.Error log data structure.....	203
Table 128.Command data structure.....	203
Table 129.Error data structure.....	203
Table 130.Self-test log data structure.....	204
Table 131.Selective self-test log Data Structure.....	205
Table 132.Selective self-test feature flags.....	205
Table 133.S.M.A.R.T. Error Codes.....	206

Table 134.Standby (E2h/96h) .....	207
Table 135.Standby Immediate (E0h/94h).....	208
Table 136.Write Buffer (E8h).....	209
Table 137.Write DMA (CAh/CBh) .....	210
Table 138.Write DMA FUA Ext Command (3Dh) .....	212
Table 139.Write DMA Ext Command (35h).....	214
Table 140.Write FPDMA Queued (61h) .....	216
Table 141.Write Log Ext Command (3Fh).....	218
Table 142.Write Long (32h/33h) .....	219
Table 143.Write Multiple (C5h) .....	221
Table 144.WriteMultiple Ext Command (39h).....	223
Table 145.Write Multiple FUA Ext (CEh) .....	225
Table 146.Write Sectors command (30h/31h).....	227
Table 147.Write Sectors Ext (34h) .....	229
Table 148.Write Stream DMA Command (3Ah) .....	231
Table 149.Write Stream PIO Command (3Bh) .....	233

# 1.0 General

## 1.1 Introduction

This document describes the specifications of the Deskstar 7K80 SATA, a 3.5-inch hard disk drive with Serial ATA interface and a rotational speed of 7200 RPM.

HDS728040PLA320	41.1GB (3Gbps*)
HDS728080PLA380	82.3GB (3Gbps*)

\*Default setting is 1.5Gbps

*These specifications are subject to change without notice.*

## 1.2 References

- Information Technology - AT Attachment with Packet Interface-7.
- Serial ATA II: Extensions to Serial ATA 1.0

## 1.3 Abbreviations

Abbreviation	Meaning
A	Ampere
AC	alternating current
AT	Advanced Technology
ATA	Advanced Technology Attachment
BIOS	Basic Input/Output System
C	Celsius
CSA	Canadian Standards Association
C-UL	Canadian-Underwriters Laboratory
Cyl	cylinder
DC	Direct Current
DFT	Drive Fitness Test
DMA	Direct Memory Access
ECC	error correction code
EEC	European Economic Community
EMC	electromagnetic compatibility
ERP	Error Recovery Procedure
ESD	Electrostatic Discharge
FCC	Federal Communications Commission
FRU	field replacement unit
G	gravity (a unit of force)

G <sup>2</sup> /Hz	(32 ft/sec) <sup>2</sup> per Hertz
Gb	1,000,000,000 bits
GB	1,000,000,000 bytes
GND	ground
h	hexadecimal
HDD	hard disk drive
Hz	Hertz
I	Input
ILS	integrated lead suspension
I/O	Input/Output
ISO	International Standards Organization
KB	1,000 bytes
Kbpi	1000 bits per inch
kgf-cm	kilogram (force)-centimeter
KHz	kilohertz
LBA	logical block addressing
Lw	unit of A-weighted sound power
m	meter
max	maximum
MB	1,000,000 bytes
Mbps	1,000,000 bits per second
MHz	megahertz
MLC	Machine Level Control
mm	millimeter
ms	millisecond
us, ms	microsecond
O	Output
OD	Open Drain Programmed Input/Output
POH	power on hours
Pop	population
P/N	part number
p-p	peak-to-peak
PSD	power spectral density
RES	radiated electromagnetic susceptibility
RFI	radio frequency interference
RH	relative humidity
RMS	root mean square
RPM	revolutions per minute
RST	reset
R/W	read/write
sec	second
SELV	secondary low voltage
S.M.A.R.T	Self-Monitoring, Analysis, and Reporting Technology



TPI	tracks per inch
Trk	track
TTL	transistor-transistor logic
UL	Underwriters Laboratory
V	volt
VDE	Verband Deutscher Electrotechniker
W	watt
3-state	transistor-transistor tristate logic

## 1.4 Caution

- Do not apply force to the top cover.
- Do not cover the breathing hole on the top cover.
- Do not touch the interface connector pins or the surface of the printed circuit board
- This drive can be damaged by electrostatic discharge (ESD). Any damages incurred to the drive after its removal from the shipping package and the ESD protective bag are the responsibility of the user.



## 2.0 General features of the drive

- Formatted capacities of 40 GB and 80 GB
- Spindle speeds of 7200 RPM
- Fluid Dynamic Bearing motor
- Serial ATA interface
- Sector format of 512 bytes/sector
- Closed-loop actuator servo
- Load/Unload mechanism, non head disk contact start/stop
- Automatic Actuator lock
- Interleave factor 1:1
- Seek time of 8.8 ms in Read Operation. 8.5 ms typical without Command Overhead
- Sector Buffer size of 2048 K (Upper 270 KB is used for firmware)
- Ring buffer implementation
- Write Cache
- Advanced ECC On The Fly (EOF)
- Automatic Error Recovery procedures for read and write commands
- Self Diagnostics on Power on and resident diagnostics
- Serial ATA Data Transfer up to 3.0 Gb/sec
- CHS and LBA mode
- Power saving modes/Low RPM idle mode (APM)
- S.M.A.R.T. (Self Monitoring and Analysis Reporting Technology)
- Support security feature
- Quiet Seek mode (AAM)
- 48-bit addressing feature
- Adaptive BPI
- ATA-7 compliant
  - Streaming feature set support
  - World Wide Name



# Part 1. Functional specification



## 3.0 Fixed-disk subsystem description

### 3.1 Control electronics

The drive is electronically controlled by a microprocessor, several logic modules, digital/analog modules, and various drivers and receivers. The control electronics performs the following major functions:

- Controls and interprets all interface signals between the host controller and the drive.
- Controls read write accessing of the disk media, including defect management and error recovery.
- Controls starting, stopping, and monitoring of the spindle.
- Conducts a power-up sequence and calibrates the servo.
- Analyzes servo signals to provide closed loop control. These include position error signal and estimated velocity.
- Monitors the actuator position and determines the target track for a seek operation.
- Controls the voice coil motor driver to align the actuator in a desired position.
- Constantly monitors error conditions of the servo and takes corresponding action if an error occurs.
- Monitors various timers such as head settle and servo failure.
- Performs self-checkout (diagnostics).

### 3.2 Head disk assembly

The head disk assembly (HDA) is assembled in a clean room environment and contains the disks and actuator assembly. Air is constantly circulated and filtered when the drive is operational. Venting of the HDA is accomplished via a breather filter.

The spindle is driven directly by an in-hub, brushless, sensorless DC drive motor. Dynamic braking is used to quickly stop the spindle.

### 3.3 Actuator

The read/write heads are mounted in the actuator. The actuator is a swing-arm assembly driven by a voice coil motor. A closed-loop positioning servo controls the movement of the actuator. An embedded servo pattern supplies feedback to the positioning servo to keep the read/write heads centered over the desired track.

The actuator assembly is balanced to allow vertical or horizontal mounting without adjustment.

When the drive is powered off, the actuator automatically moves the head to the actuator ramp outside of the disk where it parks.





## 4.0 Drive characteristics

### 4.1 Default logical drive parameters

Table 1: Formatted capacities

	HDS728040PLA320	HDS728080PLA380
<b>Physical Layout</b>		
Label capacity (GB)	40	80
Bytes per sector	512	512
Sectors per track	567-1170	567-1170
Number of heads	1	2
Number of disks	1	1
Data sectors per cylinder	567-1170	1134-2340
Data cylinders per zone	1444-4501	1444-4501
<b>Logical layout<sup>1</sup></b>		
Number of heads	16	16
Number of Sectors per track	63	63
Number of Cylinders <sup>2</sup>	16,383	16,383
Number of sectors	80,418,240	160,836,480
Total logical data bytes	41,174,138,880	82,348,277,760

Notes:

<sup>1</sup>. Number of cylinders: For drives with capacities greater than 8.45 GB the Identify Device information word 01 limits the number of cylinders to 16, 383 per the ATA specification.

<sup>2</sup>. Logical layout: Logical layout is an imaginary drive parameter (that is, the number of heads) which is used to access the drive from the system interface. The logical layout to Physical layout (that is, the actual Head and Sectors ) translation is done automatically in the drive. The default setting can be obtained by issuing an IDENTIFY DEVICE command.

## 4.2 Data sheet

**Table 2: Mechanical positioning performance**

Data transfer rates (Mbps)	757
Data buffer size <sup>1</sup> (KB)	2048 / 8,192
Rotational speed (RPM)	7200
Number of buffer segments (read)	up to 128
Number of buffer segments (write)	up to 63
Recording density - max (Kbpi)	689
Track density [TPI]	87 / 90 / 93
Areal density - max (Gbits/in <sup>2</sup> )	62
Number of data bands	30

## 4.3 World Wide Name Assignment

**Table 3: Word Wide Name Assignment**

Description		
Organization	Hitachi GST	Hitachi GST
Manufacturing Site	Sriracha Plant, Thailand	China
Product	Deskstar 7K120	Deskstar 7K120
OUI	000CCAh	000CCAh
SHBU Block Assignment	201h	300h
Port/Node ID	11b	11b

## 4.4 Drive organization

### 4.4.1 Drive format

Upon shipment from manufacturing the drive satisfies the sector continuity in the physical format by means of the defect flagging strategy described in Section 5.0, “Defect flagging strategy” on page 21 in order to provide the maximum performance to users.

## 4.4.2 Cylinder allocation

Table 4: Cylinder allocation

Data Zone	Physical Cylinders	Blk/Trk
0	1,444	1,170
1	3,095	1,147
2	3,095	1,147
3	3,389	1,134
4	3,043	1,125
5	3,845	1,080
6	3,946	1,080
7	4,501	1,026
8	4,001	1,026
9	3,232	1,012
10	3,726	990
11	3,193	972
12	4,286	945
13	3,120	918
14	3,093	900
15	3,106	877
16	4,037	855
17	4,073	810
18	3,573	810
19	3,276	742
20	2,675	742
21	2,408	720
22	1,960	702
23	1,568	675
24	1,568	675
25	2,082	630
26	2,157	630
27	1,700	607
28	1,570	594
29	1,521	567

Physical cylinder is calculated from the starting data track of 0. It is not relevant to logical CHS. Depending on the capacity some of the inner zone cylinders are not allocated.

### Data cylinder

This cylinder contains the user data which can be sent and retrieved via read/write commands and a spare area for reassigned data.

### Spare cylinder

The spare cylinder is used by Hitachi Global Storage Technologies manufacturing and includes data sent from a defect location.

## 4.5 Performance characteristics

Drive performance is characterized by the following parameters:

- Command overhead
- Mechanical head positioning
  - Seek time
  - Latency
- Data transfer speed
- Buffering operation (Look ahead/Write cache)

All the above parameters contribute to drive performance. There are other parameters that contribute to the performance of the actual system. This specification tries to define the bare drive characteristics, not system throughput, which depends on the system and the application.

### 4.5.1 Command overhead

Command overhead is defined as the time required from the time the command is written into the command register by a host to the assertion of DRQ for the first data byte of a READ command when the requested data is not in the buffer excluding Physical seek time and Latency.

The table below gives average command overhead.

**Table 5: Command overhead**

Command type (Drive is in quiescent state)	Time (typical) (ms)	Time (typical) for queued command (ms)
Read (cache not hit) (from Command Write to Seek Start)	0.3	0.3
Read (cache hit) (from Command Write to DRQ)	0.1	0.2
Write (from Command Write to DRQ)	0.015	0.2
Seek (from Command Write to Seek Start)	0.3	not applicable

### 4.5.2 Mechanical positioning

#### 4.5.2.1 Average seek time (without command overhead, including settling)

**Table 6: Mechanical positioning performance**

Command type		Typical (ms)	Max (ms)
Read	40-80GB	8.5	9.5
Write	40-80GB	9.5	10.5
Read (Quiet Seek mode)		19.5	20.5
Write (Quiet Seek mode)		20.5	21.5

The terms “Typical” and “Max” are used throughout this document and are defined as follows:

**Typical** The average of the drive population tested at nominal environmental and voltage conditions.

**Max** Maximum value measured on any one drive over the full range of the environmental and voltage conditions. The seek time is measured from the start of the actuator’s motion to the start of a reliable read or write operation. A reliable read or write implies that error correction or recovery is not used to correct arrival problems. The average seek time is measured as the weighted average of all possible seek combinations.

$$\text{Weighted Average} = \frac{\sum_{n=1}^{\text{max}} (m10 n)(T_{\text{nin}} + T_{\text{nout}})}{(\text{max} + 1)(\text{max})}$$

where

- max** = Maximum seek length
- n** = Seek length (1 to max)
- T<sub>nin</sub>** = Inward measured seek time for an n track seek
- T<sub>nout</sub>** = Outward measured seek time for an n track seek

#### 4.5.2.2 Full stroke seek time (without command overhead, including settling)

**Table 7: Full stroke seek time**

Function		Typical (ms)	Max (ms)
Read	40-80GB	15.1	18.1
Write	40-80GB	16.1	19.1
Read (Quiet Seek mode)		32.5	35.5
Write (Quiet Seek mode)		33.5	36.5

Full stroke seek is measured as the average of 1,000 full stroke seeks with a random head switch from both directions (inward and outward).

#### 4.5.2.3 Head switch time (head skew)

**Table 8: Head switch time**

	Head switch time-typical (ms)
90 kTPI	1.4

Head switch time is defined as the amount of time required by the fixed disk to complete a seek of the next sequential track after reading the last sector in the current track

The measuring method is given in 4.5.5, “Throughput” on page 28.

#### 4.5.2.4 Cylinder switch time (cylinder skew)

<b>Cylinder switch time - typical (ms)</b>
<b>1.7</b>

Cylinder switch time is defined as the amount of time required by the fixed disk to access the next sequential block after reading the last sector in the current cylinder.

The measuring method is given in Section 4.5.5, “Throughput” on page 28.

#### 4.5.2.5 Single track seek time (without command overhead, including settling)

**Table 9: Single track seek time**

<b>Function</b>	<b>Typical (ms)</b>	<b>Max (ms)</b>
Read	0.8	1.5
Write	1.3	2.0
Read (Quiet Seek mode)	0.8	1.5
Write (Quiet Seek mode)	1.3	2.0

Single track seek is measured as the average of one (1) single track seek from every track in both directions (inward and outward).

#### 4.5.2.6 Average latency

**Table 10: Latency Time**

<b>Rotational speed (RPM)</b>	<b>Time for one revolution (ms)</b>	<b>Average latency (ms)</b>
7200 RPM	8.3	4.17

#### 4.5.3 Drive ready time

**Table 11: Drive ready time**

<b>Power on to ready</b>	<b>Typical (sec)</b>	<b>Maximum (sec)</b>
	6	20

**Ready** The condition in which the drive is able to perform a media access command (for example- read, write) immediately.

**Power on** This includes the time required for the internal self diagnostics.

*Note:* Max Power On to ready time is the maximum time period that Device 0 waits for Device 1 to assert PDIAG.

## 4.5.4 Data transfer speed

Table 12: Data transfer speed

Data transfer speed	(Mbytes/sec)
<b>Disk-Buffer transfer (Zone 0)</b>	
Instantaneous - typical	66
Sustained - read typical	61.1
<b>Disk-Buffer transfer (Zone 29)</b>	
Instantaneous - typical	34.5
Sustained - read typical	29.6
Buffer - host (max)	1.5Gbps / 3Gbps

- Instantaneous disk-buffer transfer rate (Mbyte/s) is derived by the following formula:  
512 (Number of sectors on a track) (revolutions per second)  
*Note:* The number of sectors per track will vary because of the linear density recording.
- Sustained disk-buffer transfer rate (Mbyte/s) is defined by considering head/cylinder change time for read operation. This gives a local average data transfer rate. It is derived by the following formula:  

$$(\text{Sustained Transfer Rate}) = A / (B+C+D)$$
 where  
 A = 512 (number of data sectors per cylinder)  
 B = (number of Surfaces per cylinder - 1) (head switch time)  
 C = cylinder change time  
 D = (number of surfaces) (time for one revolution)
- Instantaneous buffer-host transfer rate (Mbyte/s) defines the maximum data transfer rate on the AT Bus. It also depends on the speed of the host.

The method of measurement is given in 4.5.5, "Throughput" on page 28.

## 4.5.5 Throughput

### 4.5.5.1 Simple sequential access

The following table illustrates simple sequential access for the enclosure.

**Table 13: Simple Sequential Access performance**

Operation	Typical (sec)	Max (sec)
Sequential Read (Zone 0)	0.31	0.32
Sequential Read (Zone 29)	0.61	0.63

The above table gives the time required to read a total of 8000h consecutive blocks (16,777,216 bytes) accessed by 128 read commands. Typical and Max values are given by 105% and 110% of T respectively throughout following performance description.

$$T = A + B + C + 16,777,216/D + 512/E \quad (\text{READ})$$

where

- T = Calculated time (sec)
- A = Command process time (Command overhead) (sec)
- B = Average seek time (sec)
- C = Average latency (sec)
- D = Sustained disk-buffer transfer rate (byte/sec)
- E = Buffer-host transfer rate (byte/sec)

*Note:* It is assumed that a host system responds instantaneously and host data transfer is faster than sustained data rate.

### 4.5.5.2 Random access

The following table illustrates simple sequential access for enclosure.

**Table 14: Random Access Performance**

Operation	Typical (sec)	Max (sec)
Random Read	55.9	58.6

The above table gives the time required to execute a total of 1000h read commands which access a single random LBA. Typical and Max values are given by 105% and 110% of T respectively throughout following performance description.

$$T = 4096(A + B + C + 512/D + 512/E) \quad (\text{READ})$$

where

- T = Calculated time (sec)
- A = Command process time (Command overhead) (sec)
- B = Average seek time (sec)
- C = Latency



D = Average sustained disk-buffer transfer rate (byte/s)  
 E = Buffer-host transfer rate (byte/s)

## 4.5.6 Operating modes

### 4.5.6.1 Description of operating modes

Table 15: Description of operating modes

Operating mode	Description
<b>Spin-up</b>	Start up time period from spindle stop or power down.
<b>Seek</b>	Seek operation mode
<b>Write</b>	Write operation mode
<b>Read</b>	Read operation mode
<b>Unload Idle</b>	Spindle rotation at 7200 RPM with heads unloaded.
<b>Idle</b>	Spindle motor and servo system are working normally. Commands can be received and processed immediately.
<b>Standby</b>	Actuator is unloaded and spindle motor is stopped. Commands can be received immediately.
<b>Sleep</b>	Actuator is unloaded and spindle motor is stopped. Only soft reset or hard reset can change the mode to standby.

*Note:* Upon power down or spindle stop a head locking mechanism will secure the heads in the OD parking position.

### 4.5.6.2 Mode transition time

Table 16: Mode transition times

From	To	RPM	Transition time (sec)	
			Typical	Maximum
Standby	Idle	0 ---> 7200	6	20
Idle	Standby	7200 ---> 0	Immediately	Immediately
Standby	Sleep	0	Immediately	Immediately
Sleep	Standby	0	Immediately	Immediately
Unload idle	Idle	7200	0.7	1
Idle	Unload idle	7200	0.7	1
Low RPM Idle	Idle	4500 ---> 7200	3	10

*Note:* The command is processed immediately (within 1ms) but there will be an actual spin down time reflecting the seconds passed until the spindle motor stops.



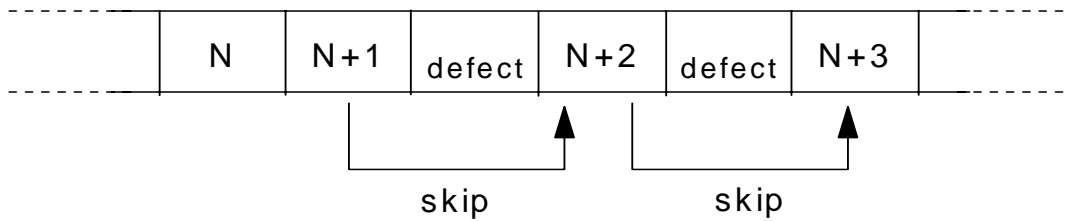
## 5.0 Defect flagging strategy

Media defects are remapped to the next available sector during the Format Process in manufacturing. The mapping from LBA to the physical locations is calculated by an internally maintained table.

### Shipped format

- Data areas are optimally used.
- No extra sector is wasted as a spare throughout user data areas.
- All pushes generated by defects are absorbed by the spare tracks of the inner zone.

**Table 17: PATA Plist physical format**



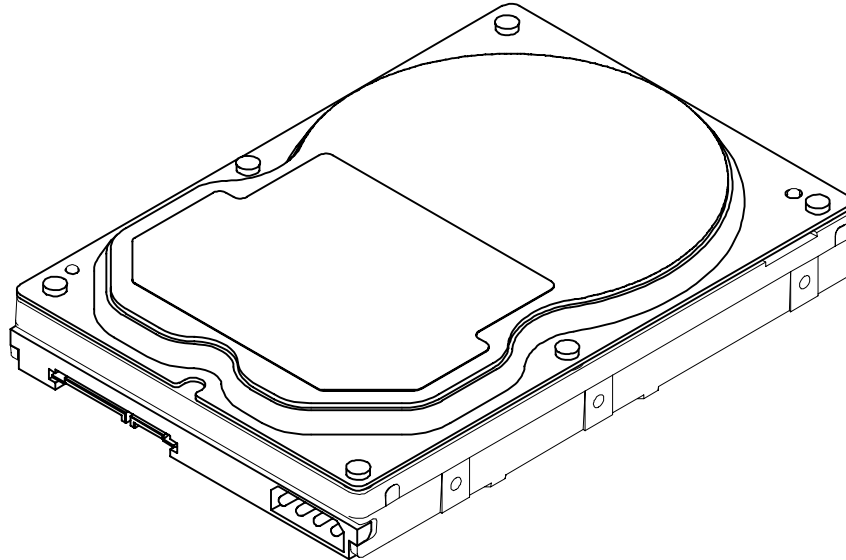
Defects are skipped without any constraint, such as track or cylinder boundary.



# 6.0 Electrical interface specification

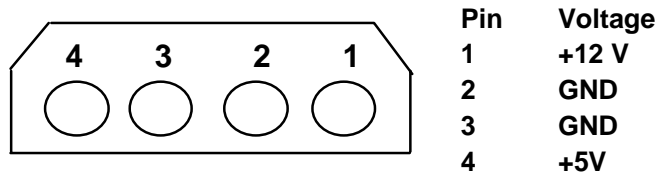
## 6.1 Connector location

Refer to the following illustration to see the location of the connectors



### 6.1.1 4 pin DC power connector

The DC power connector is designed to mate with AMP part number 1-480424-0 using AMP pins part number 350078-4 (strip), part number 61173-4 (loose piece), or their equivalents. Pin assignments are shown in the figure below.



### 6.1.2 SATA Signal connector

The SATA signal connector is a 8-pin connector. Power connector is a 15-pin connector.

## 6.2 Signal definitions

SATA has receivers and drivers to be connected to Tx +/- and Rx +/- . Serial data signal defines the signal names of I/O connector pin and signal name.

**Table 18: Interface connector pins and I/O signals**

	No.	Plug Connector pin definition		Signal	I/O
Signal	S1	GND	2nd mate	Gnd	
	S2	A+	Differential signal A from Phy	RX+	Input
	S3	A-		RX-	Input
	S4	Gnd	2nd mate	Gnd	
	S5	B-	Differential signal B from Phy	TX-	Output
	S6	B+		TX+	Output
	S7	Gnd	2nd mate	Gnd	
Key and spacing separate signal and power segments					
Power	P1	V33	3.3V power	3.3V	
	P2	V33	3.3V power	3.3V	
	P3	V33	3.3V power, pre-charge, 2nd Mate	3.3V	
	P4	Gnd	1st mate	Gnd	
	P5	Gnd	2nd mate	Gnd	
	P6	Gnd	2nd mate	Gnd	
	P7	V5	5V power,pre-charge,2nd Mate	5V	
	P8	V5	5V power	5V	
	P9	V5	5V power	5V	
	P10	Gnd	2nd mate	Gnd	
	P11	Reserved	This pin can be used for LED activity. It is controlled by firmware	Reserve	
	P12	Gnd	1st mate	Gnd	
	P13	V12	12V power,pre-chage,2nd mate	V12	
	P14	V12	12V power	V12	
	P15	V12	12V power	V12	

### 6.2.1 TX+ / TX-

These signals are the outbound high-speed differential signals that are connected to the serial ATA cable.

### 6.2.2 RX+ / RX-

These signals are the inbound high-speed differential signals that are connected to the serial ATA cable. The following standard shall be referenced about signal specifications.

Serial ATA: High Speed Serialized AT Attachment Revision 1.0a 7-January-2003

### 6.3 Out of band Signaling

Table 19: The timing of COMRESET, COMINIT and COMWAKE

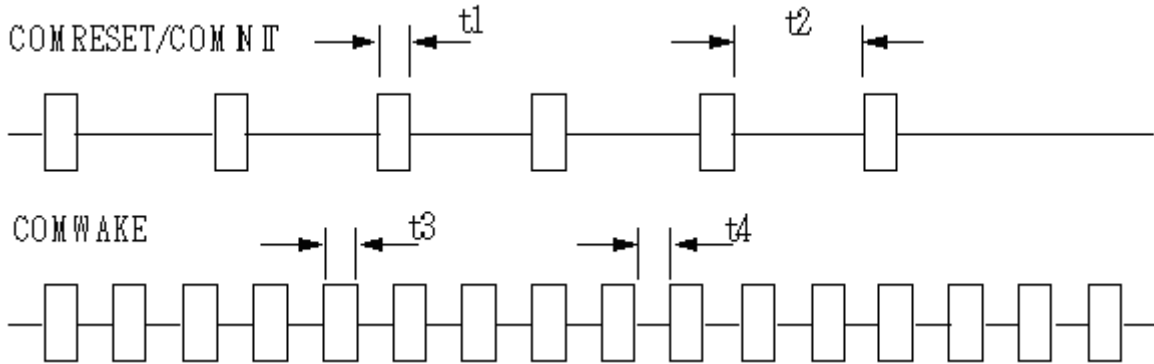


Table 20: Parameter Descriptions

	PARAMETER DESCRIPTION	Nominal (ns)
t1	ALINE primitives	106.7
t2	Spacing	320
t3	ALIGN primitives	106.7
t4	Psacing	106.7





# 7.0 Environment

## 7.0.1 Temperature and humidity

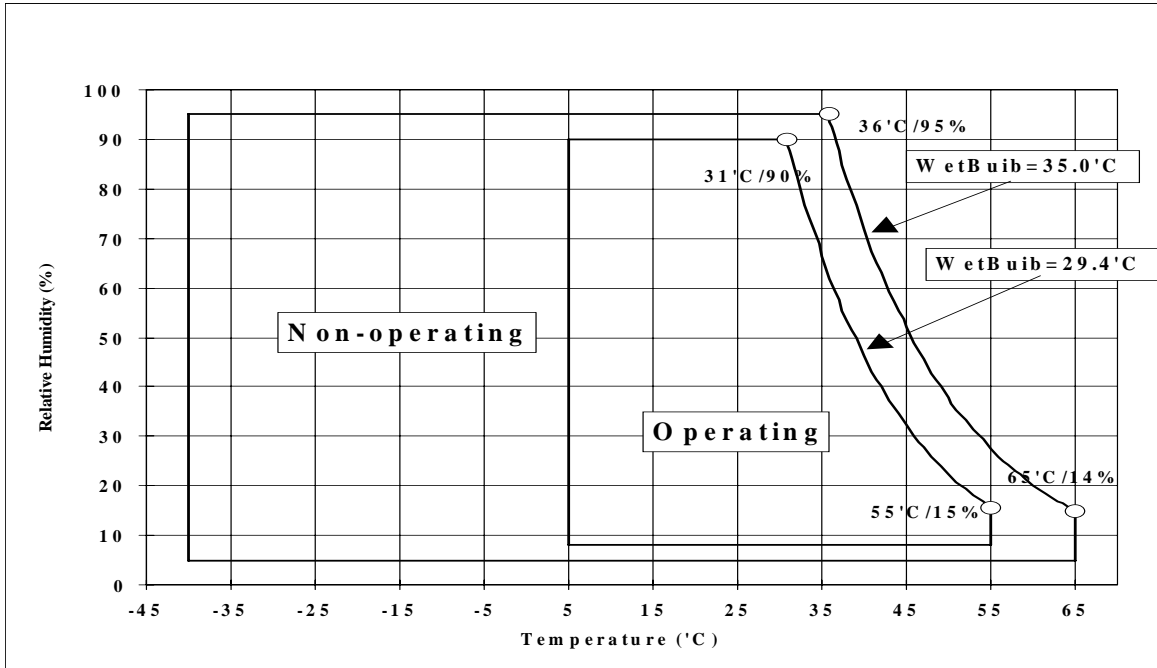
Table 21: Temperature and humidity

<b>Operating conditions</b>	
Temperature	5C to 55°C (See note below)
Relative humidity	8 to 90%, non-condensing
Maximum wet bulb temperature	29.4°C, non-condensing
Maximum temperature gradient	15°C/hour
Altitude	–300 to 3,048 m
<b>Non-operating conditions</b>	
Temperature	–40C to 65°C
Relative humidity	5 to 95%, non-condensing
Maximum wet bulb temperature	35°C, non-condensing
Altitude	–300 to 12,000 m

**Notes:**

- The system is responsible for providing sufficient ventilation to maintain a surface temperature below 60°C at the center of the top cover of the drive.
- Noncondensing conditions should be maintained at any time.
- Maximum storage period within shipping package is one year.

**Table 22: Limits of temperature and humidity**



Note: Storage temperature range is 0° to 65°.

## 7.0.2 Corrosion test

The drive shows no sign of corrosion inside and outside of the hard disk assembly and is functional after being subjected to seven days at 50°C with 90% relative humidity.

## 7.1 DC power requirements

Damage to the drive electronics may result if the power supply cable is connected or disconnected to the legacy power connector while power is being applied to the drive (no hot plug/unplug is allowed). If SATA power supply cable is connected or disconnected to the SATA power connector, hot plug/unplug is allowed.

### 7.1.1 Input voltage

**Table 23: Input voltage**

Input voltage supply <sup>2</sup>	During run and spin up	Absolute max spike voltage <sup>1</sup>	Supply rise time
+5 V	5 V ± 5%	-0.3 to 5.5 V	0 to 5 sec
+12 V	12 V + 10% -8%	-0.3 to 15 V	0 to 5 sec

<sup>1</sup>To avoid damage to the drive electronics, **power supply voltage spikes must not exceed specifications.**

<sup>2</sup> +12V should be applied within 60 seconds after +5V is applied to the drive.

## 7.1.2 Power supply current (typical)

Table 24: Power supply current of 80GB and 40GB models

Power supply current of 40 GB and 80 GB models <i>(values in milliamps. RMS)</i>	+5 Volts [mA]		+12 Volts [mA]		Total [W]
	Pop Mean	Std Dev	Pop Mean	Std Dev	
Idle average	470	14	275	24	5.65
Idle ripple (peak-to-peak)	230	40	290	20	
Low RPM idle	350	6	150	7	3.55
Low RPM idle ripple	220	20	290	20	
Unload idle average	350	6	270	6	4.99
Unload idle ripple	220	20	400	20	
Random R/W average <sup>2</sup>	620	7	600	12	10.3
Random R/W peak	1250	30	1700	50	
Silent R/W average	650	6	360	8	7.57
Silent R/W peak	1250	30	1000	40	
Start up (max)	1000	50	1830	50	
Standby average	350	9	15	2	1.93
Sleep average	300	10	15	2	1.68

## 7.1.3 Power supply generated ripple at drive power connector

Table 25: Power supply generated ripple at drive power connector

	Maximum (mV pp)	MHz
+5 V dc	100	0-10
+12 V dc	150	0-10

During drive start up and seeking 12-volt ripple is generated by the drive (referred to as dynamic loading). If the power of several drives is daisy chained together, the power supply ripple plus the dynamic loading of the other drives must remain within the above regulation tolerance. A common supply with separate power leads to each drive is a more desirable method of power distribution.

To prevent external electrical noise from interfering with the performance of the drive, the drive must be held by four screws in a user system frame which has no electrical level difference at the four screws position and has less than  $\pm 300$  millivolts peak to peak level difference to the ground of the drive power connector.

## 7.2 Reliability

### 7.2.1 Data integrity

No more than one sector is lost at Power loss condition during the write operation when the write cache option is disabled. If the write cache option is active, the data in write cache will be lost. To prevent the loss of customer data, it is recommended that the last write access before power off be issued after setting the write cache off.

### 7.2.2 Cable noise interference

To avoid any degradation of performance throughput or error rate when the interface cable is routed on top or comes in contact with the HDA assembly, the drive must be grounded electrically to the system frame by four screws. The common mode noise or voltage level difference between the system frame and power cable ground or AT interface cable ground should be in the allowable level specified in the power requirement section.

### 7.2.3 Start/stop cycles

The drive withstands a minimum of 50,000 start/stop cycles in a 40° C environment and a minimum of 10,000 start/stop cycles in extreme temperature or humidity within the operating range. See Table 21: “Temperature and humidity” on page 37 and Figure 9: “Limits of temperature and humidity” on page 48.

### 7.2.4 Preventive maintenance

None

### 7.2.5 Data reliability

Probability of not recovering data is 1 in  $10^{14}$  bits read

ECC On The Fly correction

- 1 Symbol : 10 bits
- 1 Interleave
- 34 ECCs are embedded into each interleave
- This implementation always recovers 16 random burst errors and a 151-bit continuous burst error

### 7.2.6 Required power-off sequence

The required BIOS sequence for removing power from the drive is as follows:

Step 1: Issue one of the following commands.

Standby  
Standby immediate  
Sleep

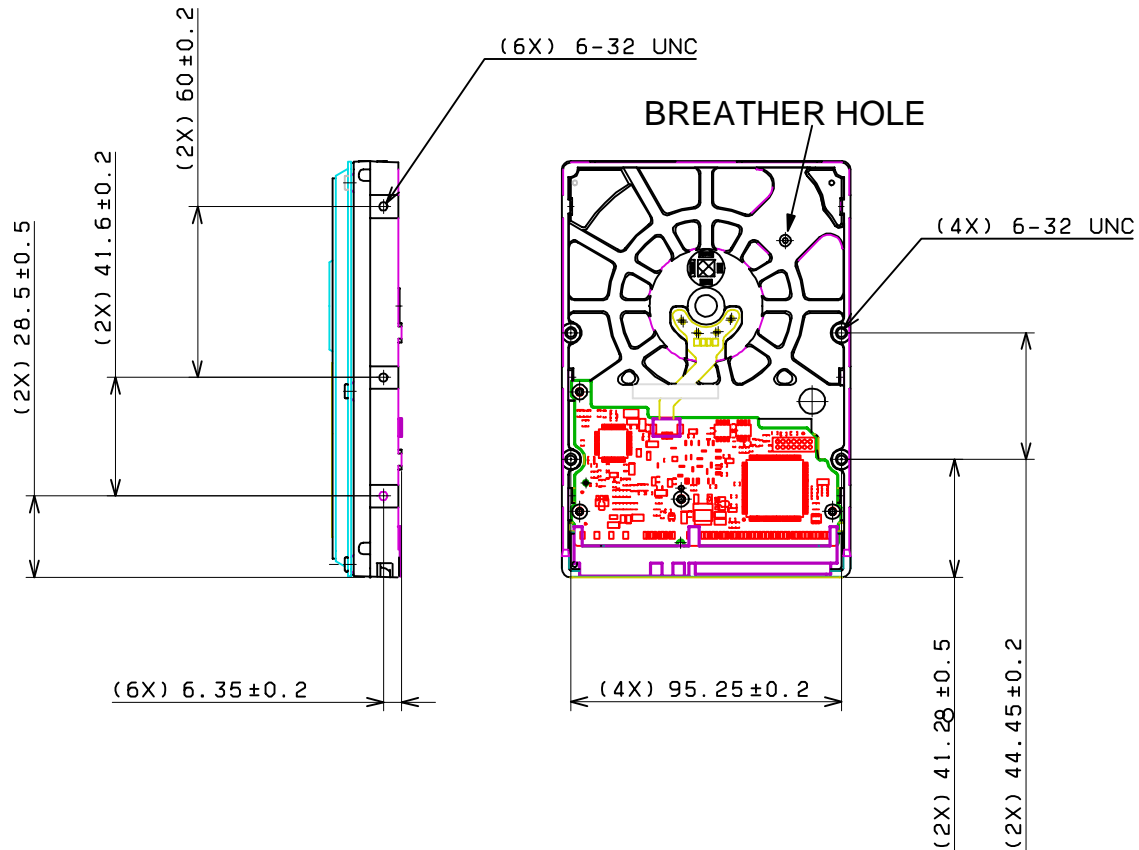
*Note:* Do not use the Flush Cache command for the power off sequence because this command does not invoke Unload

Step 2: Wait until the Command Complete status is returned. In a typical case 350 ms are required for the command to finish completion; however, the BIOS time out value needs to be 30 seconds considering error recovery time. Refer to section 13.0 “Timings” on page 237.

Step 3: Terminate power to HDD.

## 7.3 Mechanical specifications

### 7.3.1 Physical dimensions and weight



All dimensions in the above figure are in millimeters.

The breather hole must be kept uncovered in order to keep the air pressure inside of the disk enclosure equal to external air pressure.

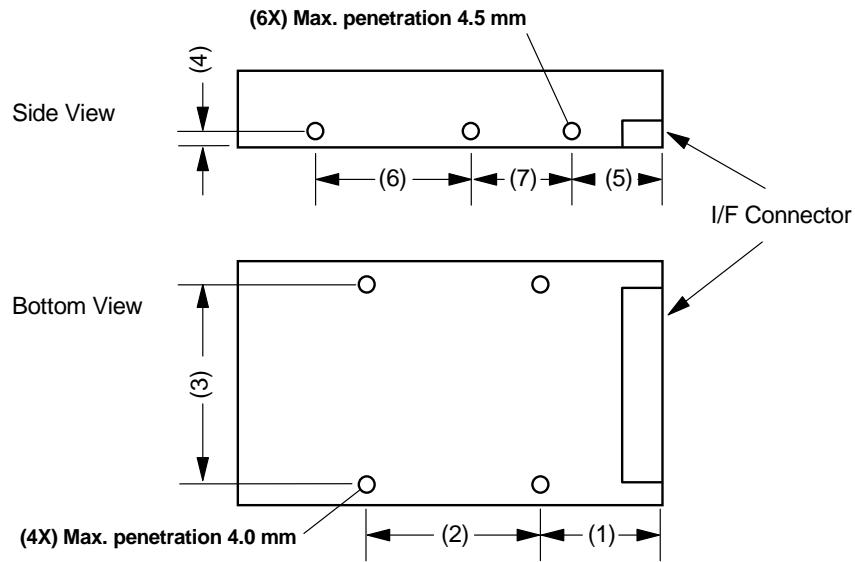
The following table lists the dimensions of the drive.

**Table 26: Physical dimensions and weight**

Height [mm]	$24.3 \pm 0.3$
Width [mm]	$101.6 \pm 0.4$
Length [mm]	$146.0 \pm 0.6$
Weight [grams - maximum]	560

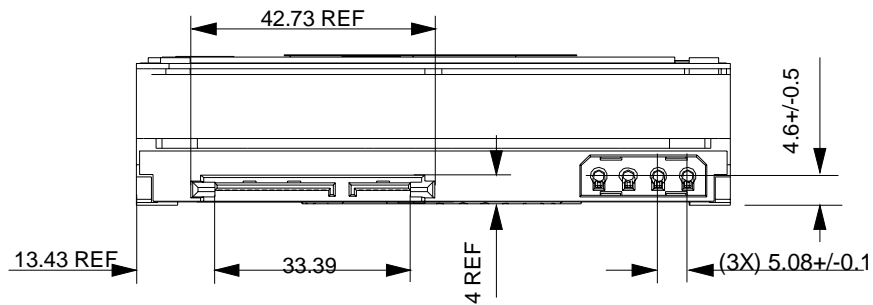
### 7.3.2 Mounting hole locations

The mounting hole locations and size of the drive are shown below. All dimensions are in mm.



Thread	(1)	(2)	(3)	(4)	(5)	(6)	(7)
6-32 UNC	41.28±0.5	44.45±0.2	95.25±0.2	6.35±0.2	28.5±0.5	60.0±0.2	41.6±0.2

### 7.3.3 Connector locations



### 7.3.4 Drive mounting

The drive will operate in all axes (6 directions). Performance and error rate will stay within specification limits if the drive is operated in the other orientations from which it was formatted.

For reliable operation, the drive must be mounted in the system securely enough to prevent excessive motion or vibration of the drive during seek operation or spindle rotation, using appropriate screws or equivalent mounting hardware.

The recommended mounting screw torque is 0.6 - 1.0 Nm (6-10 Kgf.cm).

The recommended mounting screw depth is 4 mm maximum for bottom and 4.5 mm maximum for horizontal mounting.

Drive level vibration test and shock test are to be conducted with the drive mounted to the table using the bottom four screws.

### 7.3.5 Heads unload and actuator lock

The head load/unload mechanism is provided to protect the disk data during shipping, movement, or storage. Upon power down, the heads are automatically unload from the disk area and the locking mechanism of the head actuator will secure the heads in unload position.

## 7.4 Vibration and shock

All vibration and shock measurements recorded in this section are made with a drive that has no mounting attachments for the systems. The input power for the measurements is applied to the normal drive mounting points.

### 7.4.1 Operating vibration

#### 7.4.1.1 Random vibration

The test is 30 minutes of random vibration using the power spectral density (PSD) levels shown below in each of three mutually perpendicular axes. The disk drive will operate without non-recoverable errors when subjected to the above random vibration levels.

The overall RMS (root mean square) level is 0.67 G for horizontal vibration and 0.56 G for vertical.

**Table 27: Random vibration PSD profile break points (operating)**

Direction	5Hz	17Hz	45Hz	48Hz	62Hz	65Hz	150Hz	200Hz	500Hz	RMS (G)
Horizontal x10 <sup>-3</sup> [G <sup>2</sup> /Hz]	0.02	1.1	1.1	8.0	8.0	1.0	1.0	0.5	0.5	0.67
Vertical x10 <sup>-3</sup> [G <sup>2</sup> /Hz]	0.02	1.1	1.1	8.0	8.0	1.0	1.0	0.08	0.08	0.56

The overall RMS (root mean square) level is 0.67 G for horizontal vibration and 0.56 G for vertical.

#### 7.4.1.2 Swept sine vibration

The drive will meet the criteria shown below while operating in the specified conditions:

- No errors occur with 0.5 G 0 to peak, 5 to 300 to 5 Hz sine wave, 0.5 oct/min sweep rate with 3-minute dwells at two major resonances

- No data loss occurs with 1 G 0 to peak, 5 to 300 to 5 Hz sine wave, 0.5 oct/min sweep rate with 3-minute dwells at two major resonances

## 7.4.2 Nonoperating vibration

The drive does not sustain permanent damage or loss of previously recorded data after being subjected to the environment described below.

### 7.4.2.1 Random vibration

The test consists of a random vibration applied in each of three mutually perpendicular axes for a duration of 10 minutes per axis. The PSD levels for the test simulate the shipping and relocation environment shown below. The overall RMA (Root Mean Square) level of vibration is 1.04G.

**Table 28: Random Vibration PSD profile breakpoints (nonoperating)**

Frequency	2Hz	4Hz	8Hz	40Hz	55Hz	70Hz	200Hz
G2/Hz	0.001	0.03	0.03	0.003	0.01	0.01	0.001

The overall RMS (root mean square) level of vibration is 1.04 G.

### 7.4.2.2 Swept sine vibration

- 2 G (zero-to-peak), 5 to 500 to 5 Hz sine wave
- 0.5 oct/min sweep rate
- 3 minutes dwell at two major resonances

## 7.4.3 Operating shock

The drive meets the following criteria while operating in the conditions described below. The shock test consists of 10 shock inputs in each axis and direction for total of 60. There must be a delay between shock pulses long enough to allow the drive to complete all necessary error recovery procedures.

- No error occurs with a 10 G half-sine shock pulse of 11 ms duration in all models.
- No data loss occurs with a 30 G half-sine shock pulse of 4 ms duration in all models.
- No data loss occurs with a 55 G half-sine shock pulse of 2 ms duration in all models.

## 7.4.4 Nonoperating shock

The drive will operate with no degradation of performance after being subjected to shock pulses with the following characteristics.

### 7.4.4.1 Trapezoidal shock wave

- Approximate square (trapezoidal) pulse shape
- Approximate rise and fall time of pulse is 1 ms
- Average acceleration level is 50 G. (Average response curve value during the time following the 1 ms rise time and before the 1 ms fall with a time "duration of 11 ms")
- Minimum velocity change is 4.23 meters per second



#### 7.4.4.2 Sinusoidal shock wave

The shape is approximately half-sine pulse. The figure below shows the maximum acceleration level and duration.

**Table 29: Sinusoidal shock wave**

Acceleration level (G)	Duration (ms)
350	2
150	11

#### 7.4.5 Nonoperating rotational shock

All shock inputs shall be applied around the actuator pivot axis.

**Table 30: Rotational shock**

Duration	Rad/s <sup>2</sup>
1 ms	30,000
2 ms	20,000

### 7.5 Acoustics

The upper limit criteria of the octave sound power levels are given in Bels relative to one picowatt and are shown in the following table. The sound power emission levels are measured in accordance with ISO7779.

**Table 31: Sound power levels**

Mode		Typical/Max
Idle		2.6 / 3.0
Operating	Performance seek mode	3.4 / 3.7
	Quiet seek mode	2.8 / 3.2

#### Mode definitions

- **Idle mode:** The drive is powered on, disks spinning, track following, unit is ready to receive and respond to interface commands.
- **Operating mode:** Continuous random cylinder selection and seek operation of the actuator with a dwell time at each cylinder. The seek rate for the drive is calculated with the following formula:
  - Dwell time =  $0.5 \times 60/\text{RPM}$
  - Seek rate =  $0.4 / (\text{average seek time} + \text{dwell time})$

### 7.6 Identification labels

The following labels are affixed to every drive:

- A label containing the Hitachi logo, the Hitachi Global Storage Technologies part number and the statement " Made by Hitachi Global Storage Technologies Inc." or Hitachi Global Storage Technol-

ologies approved equivalent.

- A label containing the drive model number, the manufacturing date code, the formatted capacity, the place of manufacture, UL/CSA/TUV/CE/C-Tick mark logos
- A bar code label containing the drive serial number
- A label containing jumper pin description
- A user designed label per agreement

The above labels may be integrated with other labels

## **7.7 Safety**

### **7.7.1 UL and CSA approval**

The product is qualified per UL (Underwriters Laboratory) 1950 Third Edition and CAN/CSA C22.2 No.950-M95 Third Edition, for use in Information Technology Equipment, including Electric Business Equipment. The UL Recognition or the CSA certification is maintained for the product life. The UL and C-UL recognition mark or the CSA monogram for CSA certification appears on the drive.

### **7.7.2 German safety mark**

All models are approved by TUV on Test Requirement: EN60950:1992+A1-4, but the GS mark is not applicable to internal devices such as this product.

### **7.7.3 Flammability**

The printed circuit boards used in this drive are made of material with a UL recognized flammability rating of V-1 or better. The flammability rating is marked or etched on the board. All other parts not considered electrical components are made of material with a UL recognized flammability rating of V-1 or better. However, small mechanical parts such as cable ties, washers, screws, and PC board mounts may be made of material with a UL recognized flammability rating of V-2.

### **7.7.4 Safe handling**

The product is conditioned for safe handling in regards to sharp edges and corners.

### **7.7.5 Environment**

The product does not contain any known or suspected carcinogens.

Environmental controls meet or exceed all applicable government regulations in the country of origin. Safe chemical usage and manufacturing control are used to protect the environment. An environmental impact assessment has been done on the manufacturing process used to build the drive, the drive itself and the disposal of the drive at the end of its life.

Production also meets the requirements of the international treaty on chlorofluorocarbon (CFC) control known as the United Nations Environment Program Montreal Protocol, and as ratified by the member nations. Material to be controlled include CFC-11, CFC-12, CFC-113, CFC-114, CFC-115, Halon 1211, Halon 1301 and Halon 2402. Although not specified by the Protocol, CFC-112 is also controlled. In addition to the Protocol Hitachi Global Storage Technologies requires the following:

- that no packaging used for the shipment of the product use controlled CFCs in the manufacturing process.

- that no manufacturing processes for parts or assemblies include printed circuit boards use controlled CFC materials.

### **7.7.6 Secondary circuit protection**

Spindle/VCM driver module includes 12 V over current protection circuit

## **7.8 Electromagnetic compatibility**

The drive, when installed in a suitable enclosure and exercised with a random accessing routine at maximum data rate meets the worldwide EMC requirements listed below:

- United States Federal Communications Commission (FCC) Rules and Regulations (Class B), Part 15. (A 6 dB buffer shall be maintained on the emission requirements).
- European Economic Community (EEC) directive number 76/889 related to the control of radio frequency interference and the Verband Deutscher Elektrotechniker (VDE) requirements of Germany (GOP). Spectrum Management Agency (SMA) EMC requirements of Australia. The SMA has approved two forms of C-Tick Marking for Hitachi Global Storage Technologies.

The product is declared to be in conformity with requirements of the following EC directives under the sole responsibility of Hitachi Global Storage Technologies Japan Ltd:

Council Directive 89/336/EEC on the approximation of laws of the Member States relating to electromagnetic compatibility.

### **7.8.1 C-TICK mark**

The product complies with the following Australian EMC standard:

Limits and methods of measurement of radio disturbance characteristics of information technology, AS/NZS 3548 :1995 Class B.

### **7.8.2 BSMI mark**

The product complies with the Taiwan EMC standard "Limits and methods of measurement of radio disturbance characteristics of information technology equipment, CNS 13438 Class B."

## **7.9 Packaging**

Drives are packed in ESD protective bags and shipped in appropriate containers.



## 8.0 General

### 8.1 Introduction

This specification describes the host interface of the HDS7280x0PLSAy0 hard disk drive.

The interface conforms to the Working Document of Information technology, AT Attachment with Packet Interface Extension (ATA/ATAPI-7) Revision 4, dated 23 December 2003, with certain limitations described in Section 8.3 below.

### 8.2 Terminology

<b>Device</b>	Device indicates HDS7280x0PLATy0
<b>Host</b>	Host indicates the system that the device is attached to

### 8.3 Deviations from standard

The device conforms to the referenced specifications with the following deviations:

<b>Check Power Mode</b>	Check Power Mode command returns FFh to Sector Count Register when the device is in Idle mode. This command does not support 80h as the return value.
<b>COMRESET</b>	Hard reset response is not the same as that of power on reset. Refer to section 10.1, “Reset response” on page 57 for details.
<b>Download</b>	Download command is aborted when the device is in security locked mode.
<b>COMRESET response time</b>	During 500ms from Power On Reset, COMINIT is not returned within 10ms as a response to COMRESET.



## 9.0 Registers

In Serial ATA, the host adapter contains a set of registers that shadow the contents of the traditional device registers, referred to as the Shadow Register Block. Shadow Register Block registers are interface registers used for delivering commands to the device or posting status from the device. About details, please refer to the Serial ATA Spec.

In the following cases, the host adapter sets the BSY bit in its shadow Status Register and then transmits a from to the device containing the new register contents.

- Command register is written in the Shadow Register Block
- Device Control register is written in the Shadow Register Block with a change of state of the SRST bit
- COMRESET is requested

## 9.1 Alternate Status Register

**Table 32: Alternate Status Register**

7	6	5	4	3	2	1	0
BSY	RDY	DF	DSC/ SERV	DRQ	COR	IDX	ERR

This register contains the same information as the Status Register. The only difference between this register and the Status Register is that reading the Alternate Status Register does not imply an interrupt acknowledge or a clear of a pending interrupt. See section 9.12 ‘Status Register’ on page 55 for the definition of the bits in this register.

## 9.2 Command Register

This register contains the command code being sent to the device. Command execution begins immediately after this register is written. The command set is shown in Table 46: ‘Command Set’ on page 95 and Table 74: ‘Command Set (2 of 2)’ on page 106. All other registers required for the command must be set up before writing to the Command Register.

## 9.3 Cylinder High Register

This register contains the high order bits of the starting cylinder address for any disk access. At the end of the command, this register is updated to reflect the current cylinder number.

In LBA Mode this register contains Bits 16–23. At the end of the command, this register is updated to reflect the current LBA Bits 16–23.

The cylinder number may be from zero to the number of cylinders minus one.

When 48-bit addressing commands are used, the "most recently written" content contains LBA Bits 16-23 and the "previous content" contains Bits 40-47. The 48-bit Address feature set is described in Section 9.16, "48-Bit Address Feature Set" on page 93.

## 9.4 Cylinder Low Register

This register contains the low order 8 bits of the starting cylinder address for any disk access. At the end of the command, this register is updated to reflect the current cylinder number.

In LBA Mode this register contains Bits 8–15. At the end of the command, this register is updated to reflect the current LBA Bits 8–15.

The cylinder number may be from zero to the number of cylinders minus one (1).

When 48-bit addressing commands are used, the "most recently written" content contains LBA Bits 8-15 and the "previous content" contains Bits 32-39.



## 9.5 Data Register

This register is used to transfer data blocks between the device data buffer and the host. It is also the register through which sector information is transferred on a Format Track command and the configuration information is transferred on an Identify Device command.

All data transfers are 16 bits wide, except for ECC byte transfers, which are 8 bits wide. Data transfers are PIO only.

The register contains valid data only when DRQ = 1 is in the Status Register.

## 9.6 Device Control Register

**Table 33: Device Control Register**

7	6	5	4	3	2	1	0
HOB	-	-	-	1	SRST	-IEN	0

Bit	Definitions
<b>HOB</b>	HOB (high order byte) is defined by the 48-bit Address feature set. A write to any Command Register shall clear the HOB bit to zero.
<b>SRST</b>	Software Reset. The device is held at reset when RST = 1. Setting RST = 0 again enables the device. To ensure that the device recognizes the reset, the host must set RST = 1 and wait for at least 5 ms before setting RST = 0.
<b>-IEN</b>	Interrupt Enable. When IEN = 0, and the device is selected, the device interrupts to the host will be enabled. When IEN = 1, or the device is not selected, the device interrupts to the host will be disabled.

## 9.7 Device/Head Register

**Table 34: Device Head/Register**

7	6	5	4	3	2	1	0
1	L	1	DRV	HS3	HS2	HS1	HS0

This register contains the device and head numbers.

Bit	Definitions
<b>L</b>	Binary encoded address mode select. When L = 0, addressing is by CHS mode. When L = 1, addressing is by LBA mode.
<b>DRV</b>	Device. When DRV = 0, device 0 (master) is selected. When DRV = 1, device 1 (Slave) is selected.

- L** Binary encoded address mode select. When L = 0, addressing is by CHS mode. When L = 1, addressing is by LBA mode.
- HS3, HS2, HS1, HS0** Head Select. These four bits indicate the binary encoded address of the head. Bit HS0 is the least significant bit. At command completion, these bits are updated to reflect the currently selected head. The head number may be from zero to the number of heads minus one. In LBA mode, HS3 through HS0 contain bits 24–27 of the LBA. At command completion these bits are updated to reflect the current LBA bits 24–27.

## 9.8 Error Register

**Table 35: Error Register**

7	6	5	4	3	2	1	0
ICRCE	UNC	0	IDNF	0	ABRT	TK0NF	AMNF

This register contains the status from the last command executed by the device or a diagnostic code. At the completion of any command, except Execute Device Diagnostic, the contents of this register are always valid even if ERR = 0 is in the Status Register.

Following a power on, a reset, or completion of an Execute Device Diagnostic command, this register contains a diagnostic code. See Table 39: ‘Diagnostic codes’ on page 58 for the definitions.

<b>Bit</b>	<b>Definitions</b>
<b>ICRCE (CRC)</b>	Interface CRC Error. When CRC = 1, it indicates that a CRC error has occurred on the data bus during a Ultra DMA transfer.
<b>UNC</b>	Uncorrectable Data Error. When UNC = 1 it indicates that an uncorrectable data error has been encountered.
<b>IDNF (IDN)</b>	ID Not Found. When IDN = 1, it indicates that the requested sector's ID field could not be found.
<b>ABRT (ABT)</b>	Aborted Command. When ABT = 1, it indicates that the requested command has been aborted due to a device status error or an invalid parameter in an output register.
<b>TK0NF (T0N)</b>	Track 0 Not Found. When T0N = 1, it indicates that track 0 was not found during a Recalibrate command.
<b>AMNF (AMN)</b>	Address Mark Not Found. When AMN = 1, it indicates that the data address mark has not been found after finding the correct ID field for the requested sector.

## 9.9 Features Register

This register is command specific. It is used with the Set Features command, the S.M.A.R.T. Function Set command, and the Format Unit command.

## 9.10 Sector Count Register

This register contains the number of sectors of data requested to be transferred on a read or write operation between the host and the device. If the value in the register is set to 0, a count of 256 sectors (in 28-bit addressing) or 65,536 sectors (in 48-bit addressing) is specified.

If the register is zero at command completion, the command was successful. If it is not successfully completed, the register contains the number of sectors which need to be transferred in order to complete the request.

The contents of the register are defined otherwise on some commands. These definitions are given in the command descriptions.

## 9.11 Sector Number Register

This register contains the starting sector number for any disk data access for the subsequent command. The sector number is from one to the maximum number of sectors per track.

In LBA mode, this register contains Bits 0–7. At the end of the command this register is updated to reflect the current LBA Bits 0–7.

When 48-bit commands are used, the "most recently written" content contains LBA Bits 0-7 and the "previous content" contains Bits 24-31.

## 9.12 Status Register

**Table 36: Status Register**

7	6	5	4	3	2	1	0
BSY	DRDY	DF	DSC/ SERV	DRQ	CORR	IDX	ERR

This register contains the device status. The contents of this register are updated whenever an error occurs and at the completion of each command.

If the host reads this register when an interrupt is pending, it is considered to be the interrupt acknowledge. Any pending interrupt is cleared whenever this register is read.

If BSY=1, no other bits in the register are valid.

**Bit Definitions**

<b>BSY</b>	Busy. Bit BSY=1 whenever the device is accessing the registers. The host should not read or write any registers when BSY=1. If the host reads any register when BSY=1, the contents of the Status Register will be returned.
<b>DRDY (RDY)</b>	Device Ready. RDY=1 indicates that the device is capable of responding to a command. RDY will be set to zero during power on until the device is ready to accept a command. If the device detects an error while processing a command, RDY is set to zero until the Status Register is read by the host, at which time RDY is set back to one.
<b>DF</b>	Device Fault. This product does not support DF bit. DF is always zero.
<b>DSC</b>	Device Seek Complete. If DSC=1, it indicates that a Seek has completed and the device head is settled over a track. Bit DSC is set to 0 by the device just before a Seek begins. When an error occurs, this bit is not changed until the Status Register is read by the host at which time the bit again indicates the current Seek complete status. When the device enters into or is in Standby mode or Sleep mode, this bit is set by the device in spite of the drive not spinning up.
<b>DRQ</b>	Data Request. Bit DRQ=1 indicates that the device is ready to transfer a word or byte of data between the host and the device. The host should not write the Command register when DRQ=1.
<b>CORR (COR)</b>	Corrected Data. Always 0
<b>IDX</b>	Index. IDX=1 once per revolution. Because IDX=1 only for a very short time during each revolution, the host may not see it set to 1 even if the host is continuously reading the Status Register. Therefore the host should not attempt to use IDX for timing purposes.
<b>ERR</b>	Error. ERR=1 indicates that an error occurred during execution of the previous command. The Error Register should be read to determine the error type. The device sets bit ERR=0 when the next command is received from the host.

# 10.0 General operation

## 10.1 Reset response

ATA has the following three types of resets:

- Power On Reset (POR)**                      The device executes a series of electrical circuitry diagnostics, spins up the head disk assembly, tests speed and other mechanical parametric, and sets default values.
- COMRESET**                                      COMRESET is issued in Serial ATA bus. The device resets the interface circuitry as well as Soft Reset.
- Soft Reset (Software Reset)**              SRST bit in the Device Control Register is set and then is reset. The device resets the interface circuitry according to the Set Features requirement.

The actions of each reset are shown in the table below.

**Table 37: Reset response table**

	<b>POR</b>	<b>hard reset</b>	<b>soft reset</b>
Aborting Host interface	-	0	0
Aborting Device operation	-	(*1)	(*1)
Initialization of hardware	0	X	X
Internal diagnostic	0	X	X
Spinning spindle	0	X	X
Initialization of registers (*2)	0	0	0
DASP handshake	0	0	X
PDIAG handshake	0	0	0
Reverting programmed parameters to default Number of CHS (set by Initialize Device Parameters) Multiple mode Write Cache Read look-ahead ECC bytes	0	(*3)	(*3)
Power mode	(*5)	(*4)	(*4)
Disable Standby timer(*5)	0	X	X

O – execute                      X – does not execute

*Notes:*

- (\*1)      Execute after the data in write cache has been written.
- (\*2)      The default value on POR is shown in Table 38: “Default Register Values” on page 58.
- (\*3)      The Set Features command with Feature register = CCh enables the device to revert these parameters to the power on defaults.
- (\*4)      In the case of Sleep mode, the device goes to Standby mode. In other cases, the device does not change current mode.
- (\*5)      Idle when Power-Up in Standby feature set is disabled. Standby when Power-Up in Standby feature set is enabled.

## 10.2 Register initialization

After a power on, a hard reset, or a software reset, the register values are initialized as shown in the table below.

**Table 38: Default Register Values**

<b>Register</b>	<b>Default Value</b>
Error	Diagnostic Code
Sector Count	01h
Sector Number	01h
Cylinder Low	00h
Cylinder High	00h
Device/Head	A0h
Status	50h
Alternate Status	50h

The meaning of the Error Register diagnostic codes resulting from power on, hard reset, or the Execute Device Diagnostic command is shown in the figure below.

**Table 39: Diagnostic codes**

<b>Code</b>	<b>Description</b>
01h	No error detected
02h	Formatter device error
03h	Sector buffer error
04h	ECC circuitry error
05h	Controller microprocessor error

## 10.3 Diagnostic and Reset considerations

In each case of Power on Reset, COMRESET, Soft reset and EXECUTE DEVICE DIAGNOSTIC command, the device is diagnosed. Error Register is shown in Table 63.

## 10.4 Power Management Mode (Slumber and Partial)

Power Management Mode is not supported. Device ignores the signals of PMREQ\_S / PMREQ\_P from Host. Please refer to the Serial ATA Specification about Power Management Mode.

## 10.5 Sector Addressing Mode

All addressing of data sectors recorded on the device's media is done by a logical sector address. The logical CHS address for HDS7216xxPLA3y0 is different from the actual physical CHS location of the data sector on the disk media.

HDS7216xxPLA3y0 supports both Logical CHS Addressing Mode and LBA Addressing Mode as the sector addressing mode.

The host system may select either the currently selected CHS translation addressing or LBA addressing on a command-by-command basis by using the L bit in the DEVICE/HEAD register. A host system must set the L bit to 1 if the host uses LBA Addressing mode.

### 10.5.1 Logical CHS addressing mode

The logical CHS addressing is made up of three fields: the cylinder number, the head number, and the sector number. Sectors are numbered from 1 to the maximum value allowed by the current CHS translation mode but cannot exceed 255 (0FFh). Heads are numbered from 0 to the maximum value allowed by the current CHS translation mode but cannot exceed 15 (0Fh). Cylinders are numbered from 0 to the maximum value allowed by the current CHS translation mode but cannot exceed 65535 (0FFFFh).

When the host selects a CHS translation mode using the INITIALIZE DEVICE PARAMETERS command, the host requests the number of sectors per logical track and the number of heads per logical cylinder. The device then computes the number of logical cylinders available in requested mode.

The default CHS translation mode is described in the Identify Device Information. The current CHS translation mode also is described in the Identify Device Information.

### 10.5.2 LBA addressing mode

Logical sectors on the device shall be linearly mapped with the first LBA addressed sector (sector 0) being the same sector as the first logical CHS addressed sector (cylinder 0, head 0, sector 1). Irrespective of the logical CHS translation mode currently in effect, the LBA address of a given logical sector does not change. The following formula is always true:

$$\text{LBA} = ((\text{cylinder} \times \text{heads\_per\_cylinder} + \text{heads}) \times \text{sectors\_per\_track}) + \text{sector} - 1$$

where heads\_per\_cylinder and sectors\_per\_track are the current translation mode values.

On LBA addressing mode the LBA value is set to the following register:

Device/Head	<- - - LBA bits 27–24
Cylinder High	<- - - LBA bits 23–16

Cylinder Low <- - - LBA bits 15-8  
Sector Number <- - - LBA bits 7-0



## 10.6 Power management features

The power management feature set permits a host to modify the behavior in a manner which reduces the power required to operate. The power management feature set provides a set of commands and a timer that enables a device to implement low power consumption modes.

HDS7280x0PLATy0 implements the following set of functions:

- A Standby timer
- Idle command
- Idle Immediate command
- Sleep command
- Standby command
- Standby Immediate command

### 10.6.1 Power mode

The lowest power consumption when the device is powered on occurs in Sleep Mode. When in sleep mode, the device requires a reset to be activated.

In Standby Mode the device interface is capable of accepting commands, but as the media may not immediately accessible, there is a delay while waiting for the spindle to reach operating speed.

In Idle Mode the device is capable of responding immediately to media access requests.

In Active Mode the device is under executing a command or accessing the disk media with read look-ahead function or writes cache function.

### 10.6.2 Power management commands

<b>Check Power Mode</b>	Allows a host to determine if a device is currently in, going to, or leaving standby mode.
<b>Idle, Idle Immediate</b>	Move a device to idle mode immediately from the active or standby modes. The idle command also sets the standby timer count and starts the standby timer.
<b>Sleep</b>	Moves a device to sleep mode. The device's interface becomes inactive at the completion of the sleep command. A reset is required to move a device out of sleep mode. When a device exits sleep mode it will enter standby mode.
<b>Standby, Standby Immediate</b>	Move a device to standby mode immediately from the active or idle modes. The standby command also sets the standby timer count.

### 10.6.3 Standby timer

The standby timer provides a method for the device to automatically enter standby mode from either active or idle mode following a host programmed period of inactivity. If the device is in the active or idle mode, the device waits for the specified time period and, if no command is received, the device automatically enters the standby mode.

If the value of the SECTOR COUNT register on Idle command or Standby command is set to 00h, the standby timer is disabled.

## 10.6.4 Interface capability for power modes

Each power mode affects the physical interface as defined in the following table:

**Table 40: Power conditions**

<b>Mode</b>	<b>BSY</b>	<b>RDY</b>	<b>Interface active</b>	<b>Media</b>
Active	x	x	Yes	Active
Idle	o	1	Yes	Active
Standby	o	1	Yes	Inactive
Sleep	x	x	No	Inactive

Ready (RDY) is not a power condition. A device may post ready at the interface even though the media may not be accessible.

## **10.7 S.M.A.R.T. Function**

The intent of Self-monitoring, analysis, and reporting technology (S.M.A.R.T.) is to protect user data and prevent unscheduled system downtime that may be caused by predictable degradation and/or fault of the device. By monitoring and storing critical performance and calibration parameters, S.M.A.R.T. devices employ sophisticated data analysis algorithms to predict the likelihood of near-term degradation or fault condition. By alerting the host system of a negative reliability status condition, the host system can warn the user of the impending risk of a data loss and advise the user of appropriate action.

### **10.7.1 Attributes**

Attributes are the specific performance or calibration parameters that are used in analyzing the status of the device. Attributes are selected by the device manufacturer based on that attribute's ability to contribute to the prediction of degrading or faulty conditions for that particular device. The specific set of attributes being used and the identity of these attributes is vendor specific and proprietary.

### **10.7.2 Attribute values**

Attribute values are used to represent the relative reliability of individual performance or calibration attributes. The valid range of attribute values is from 1 to 253 decimal. Higher attribute values indicate that the analysis algorithms being used by the device are predicting a lower probability of a degrading or faulty condition existing. Accordingly, lower attribute values indicate that the analysis algorithms being used by the device are predicting a higher probability of a degrading or faulty condition.

### **10.7.3 Attribute thresholds**

Each attribute value has a corresponding attribute threshold limit which is used for direct comparison to the attribute value to indicate the existence of a degrading or faulty condition. The numerical value of the attribute thresholds are determined by the device manufacturer through design and reliability testing and analysis. Each attribute threshold represents the lowest limit to which its corresponding attribute value can be equal while still retaining a positive reliability status. Attribute thresholds are set at the device manufacturer's factory and cannot be changed in the field. The valid range for attribute thresholds is from 1 through 253 decimal.

### **10.7.4 Threshold exceeded condition**

If one or more attribute values, whose Pre-failure bit of their status flag is set, are less than or equal to their corresponding attribute thresholds, the device reliability status is negative, indicating an impending degrading or faulty condition.

### **10.7.5 S.M.A.R.T. commands**

The S.M.A.R.T. commands provide access to attribute values, attribute thresholds, and other logging and reporting information.

### **10.7.6 Off-line read scanning**

The device provides the off-line read scanning feature with reallocation. This is the extension of the off-line data collection capability. The device performs the entire read scan with reallocation of the marginal sectors to prevent loss of user data.

If interrupted by the host during the read scanning, the device services the host command.

### **10.7.7 Error log**

Logging of reported errors is supported. The device provides information on the last five errors that the device reported as described in the SMART error log sector. The device may also provide additional vendor specific information on these reported errors. The error log is not disabled when SMART is disabled. Disabling SMART disables the delivering of error log information via the SMART READ LOG SECTOR command.

If a device receives a firmware modification, all error log data is discarded and the device error count for the life of the device is reset to zero.

### **10.7.8 Self-test**

The device provides the self-test features which are initiated by SMART Execute Off-line Immediate command. The self-test checks the fault of the device, reports the test status in Device Attributes Data, and stores the test result in the SMART self-test log sector as described in the SMART self-test log data structure. All SMART attributes are updated accordingly during the execution of self-test.

If it is interrupted by the host during the self-tests, the device services the host command.

If the device receives a firmware modification, all self-test log data is discarded

## 10.8 Security Mode Feature Set

Security Mode Feature Set is a powerful security feature. With a device lock password, a user can prevent unauthorized access to a device even if it is removed from the computer.

New commands are supported for this feature as listed below:

<b>Security Set Password</b>	(F1'h)
<b>Security Unlock</b>	(F2'h)
<b>Security Erase Prepare</b>	(F3'h)
<b>Security Erase Unit</b>	(F4'h)
<b>Security Freeze Lock</b>	(F5'h)
<b>Security Disable Password</b>	(F6'h)

### 10.8.1 Security mode

The following security modes are provided:

<b>Device Locked Mode</b>	The device disables media access commands after power on. Media access commands are enabled by either a Security Unlock command or a Security Erase Unit command.
<b>Device Unlocked Mode</b>	The device enables all commands. If a password is not set this mode is entered after power on, otherwise it is entered by a Security Unlock or a Security Erase Unit command.
<b>Device Frozen Mode</b>	The device enables all commands except those which can update the device lock function, set/change password. The device enters this mode via a Security Freeze Lock command. It cannot quit this mode until power off.

### 10.8.2 Security level

The following security levels are provided:

<b>High level security</b>	When the device lock function is enabled and the User Password is forgotten, the device can be unlocked via a Master Password.
<b>Maximum level security</b>	When the device lock function is enabled and the User Password is forgotten, only the Master Password with a Security Erase Unit command can unlock the device. User data is then erased.

### 10.8.3 Passwords

This function can have two types of passwords as described below.

<b>Master Password</b>	When the Master Password is set, the device does NOT enable the Device Lock Function, and the device CANNOT be locked with the Master Password, but the Master Password can be used for unlocking the locked device.  Identify Device Information word 92 contains the value of the Master Password Revision Code set when the Master Password was last changed. Valid values are 0001h through FFFEh.
<b>User Password</b>	The User Password should be given or changed by a system user. When the User Password is set, the device enables the Device Lock Function, and the device is then locked on the next power on reset or hard reset.

The system manufacturer or dealer who intends to enable the device lock function for end users must set the master password even if only single level password protection is required.

### 10.8.4 Operation example

#### 10.8.4.1 Master Password setting

The system manufacturer or dealer can set a new Master Password from default Master Password using the Security Set Password command without enabling the Device Lock Function.

The Master Password Revision Code is set to FFFEh as shipping default by the drive manufacturer.

### 10.8.4.2 User Password setting

When a User Password is set, the device will automatically enter lock mode the next time the device is powered on.

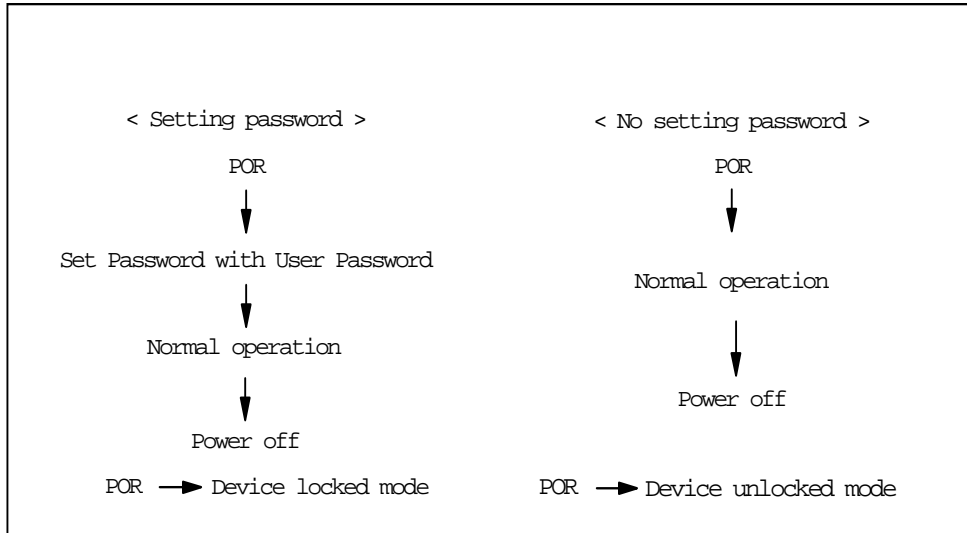
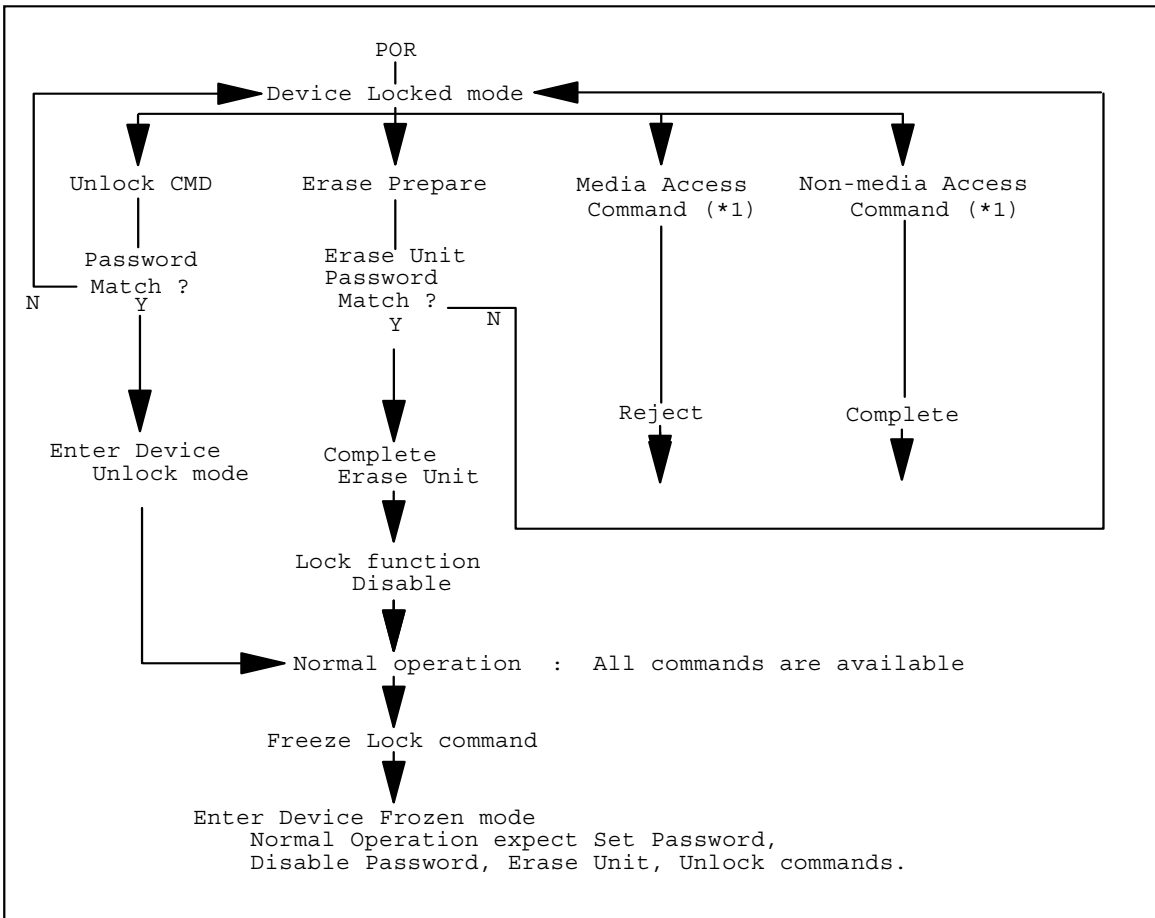


Table 41: Initial setting

### 10.8.4.3 Operation from POR after user password is set

When Device Lock Function is enabled, the device rejects media access command until a Security Unlock command

is successfully completed.



**Table 42: Usual operation for POR**

(\*1) — refer to the commands in Figure 10.7.5, “Command table” on page 84.



#### 10.8.4.4 User Password lost

If the User Password is forgotten and High level security is set, the system user cannot access any data. However the device can be unlocked using the Master Password.

If a system user forgets the User Password and Maximum security level is set, data access is impossible. However the device can be unlocked using the Security Erase Unit command to unlock the device and erase all user data with the Master Password.

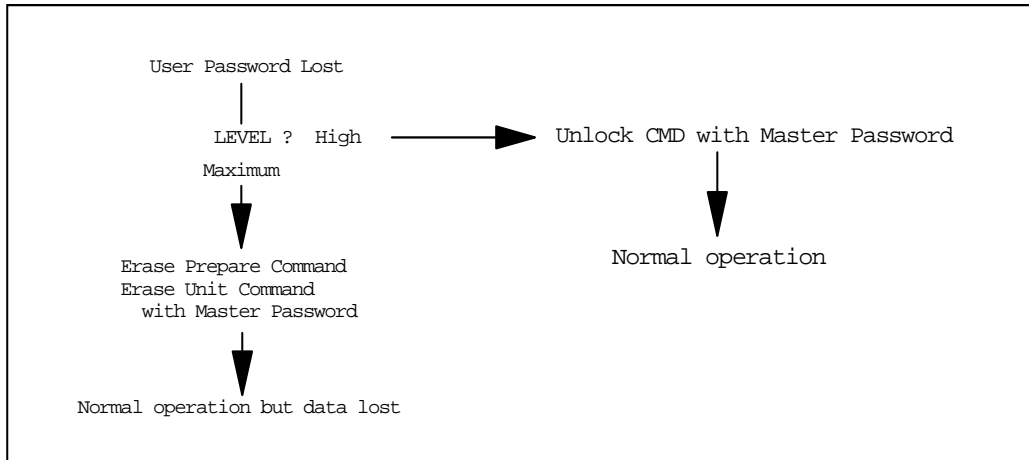


Table 43: Password lost

#### 10.8.4.5 Attempt limit for the SECURITY UNLOCK command

The SECURITY UNLOCK command has an attempt limit, the purpose of which is to prevent attempts to unlock the drive with various passwords numerous times.

The device counts the password mismatch. If the password does not match, the device counts it without distinguishing the Master password and the User password. If the count reaches 5, EXPIRE bit (bit 4) of Word 128 in Identify Device information is set, and then the SECURITY ERASE UNIT command and the SECURITY UNLOCK command are aborted until a hard reset or a power off. The count and EXPIRE bit are cleared after a power on reset or a hard reset.

## 10.8.5 Command table

This table shows the device's response to commands when the Security Mode Feature Set (Device lock function) is enabled.

Command	Locked Mode	Unlocked Mode	Frozen Mode
Check Power Mode	Executable	Executable	Executable
Configure Stream	Command aborted	Executable	Executable
Execute Device Diagnostic	Executable	Executable	Executable
Device Configuration Restore	Command aborted	Executable	Executable
Device Configuration Freeze Lock	Executable	Executable	Executable
Device Configuration Identify	Executable	Executable	Executable
Device Configuration Set	Command aborted	Executable	Executable
Download Microcode	Command aborted	Executable	Executable
Flush Cache	Command aborted	Executable	Executable
Flush Cache Ext	Command aborted	Executable	Executable
Format Track	Command aborted	Executable	Executable
Identify Device	Executable	Executable	Executable
Idle	Executable	Executable	Executable
Idle Immediate	Executable	Executable	Executable
Initialize Device Parameters	Executable	Executable	Executable
Read Buffer	Executable	Executable	Executable
Read DMA	Command aborted	Executable	Executable
Read DMA Ext	Command aborted	Executable	Executable
Read Log Ext	Command aborted	Executable	Executable
Read Long	Command aborted	Executable	Executable
Read Multiple	Command aborted	Executable	Executable
Read Multiple Ext	Command aborted	Executable	Executable
Read Native Max Address	Executable	Executable	Executable
Read Native Max Ext	Executable	Executable	Executable
Read Sector(s)	Command aborted	Executable	Executable
Read Sector(s) Ext	Command aborted	Executable	Executable
Read Stream DMA	Command aborted	Executable	Executable
Read Stream PIO	Command aborted	Executable	Executable
Read Verify Sector(s)	Command aborted	Executable	Executable
Read Verify Sector(s) Ext	Command aborted	Executable	Executable
Recalibrate	Executable	Executable	Executable
Security Disable Password	Command aborted	Executable	Command aborted

Security Erase Prepare	Executable	Executable	Command aborted
Security Erase Unit	Executable	Executable	Command aborted
Security Freeze Lock	Command aborted	Executable	Executable
Security Set Password	Command aborted	Executable	Command aborted
Security Unlock	Executable	Executable	Command aborted
Seek	Executable	Executable	Executable
Set Features	Executable	Executable	Executable
Set Max Address	Command aborted	Executable	Executable
Set Max Address Ext	Command aborted	Executable	Executable
Set Multiple Mode	Executable	Executable	Executable
Sleep	Executable	Executable	Executable
SMART Disable Operations	Executable	Executable	Executable
SMART Enable/Disable Attributes Autosave	Executable	Executable	Executable
SMART Enable Operations	Executable	Executable	Executable
SMART Execute Off-line Immediate	Executable	Executable	Executable
SMART Read Attribute Values	Executable	Executable	Executable
SMART Read Attribute Thresholds	Executable	Executable	Executable
SMART Return Status	Executable	Executable	Executable
SMART Save Attribute Values	Executable	Executable	Executable
SMART Read Log Sector	Executable	Executable	Executable
SMART Write Log Sector	Executable	Executable	Executable
SMART Enable/Disable Automatic Off-Line	Executable	Executable	Executable
Standby	Executable	Executable	Executable
Standby Immediate	Executable	Executable	Executable
Write Buffer	Executable	Executable	Executable
Write DMA	Command aborted	Executable	Executable
Write DMA Ext	Command aborted	Executable	Executable
Write Log Ext	Command aborted	Executable	Executable
Write Long	Command aborted	Executable	Executable
Write Multiple	Command aborted	Executable	Executable
Write Multiple Ext	Command aborted	Executable	Executable
Write Sector(s)	Command aborted	Executable	Executable
Write Sector(s) Ext	Command aborted	Executable	Executable
Write Stream DMA	Command aborted	Executable	Executable
Write Stream PIO	Command aborted	Executable	Executable

o - executable      x - command aborted

## 10.9 Host Protected Area Feature

Host Protected Area Feature provides a protected area which cannot be accessed via conventional methods. This protected area is used to contain critical system data such as BIOS or system management information. The contents of the main memory of the entire system may also be dumped into the protected area to resume after a system power off.

The following set of commands changes the LBA/CYL, which affects the Identify Device Information:

- Read Native Max ADDRESS ('F8'h)
- Set Max ADDRESS ('F9'h)

### 10.9.1 Example for operation (In LBA Mode)

The following example uses hypothetical values.

Capacity (native)	6,498,680,832 byte (6.4 GB)
Max LBA (native)	12,692,735 (0FFFFh)
Required size for protected area	206,438,400 bytes
Required blocks for protected area	403,200 (062700h)
Customer usable device size	6,292,242,432 byte (6.2 GB)
Customer usable sector count	12,289,536 (BB8600h)
LBA range for protected area	BB8600h to C1ACFFh

#### 1. Shipping of drives from the drive manufacturer

When the drive is shipped from the manufacturer, the device has been tested to have a capacity of 6.4 GB besides flagged media defects not visible by the system.

#### 2. Preparation of drives by the system manufacturer

Special utility software is required to define the size of the protected area and to store the data in it. The sequence is as follows:

- Issue a Read Native Max ADDRESS command to get the real device maximum LBA. Returned value shows that native device maximum LBA is 12,692,735 (C1ACFFh) regardless of the current setting.
- Make the entire device accessible, including the protected area, by setting the device maximum LBA to 12,692,735 (C1ACFFh) via Set Max ADDRESS command. The option may be either nonvolatile or volatile.
- Test the sectors for protected area (LBA  $\geq$  12,289,536 (BB8600h)) if required.
- Write information data such as BIOS code within the protected area.
- Change maximum LBA using Set Max ADDRESS command to 12,289,535 (BB85FFh) with nonvolatile option.
- From this point the protected area cannot be accessed until next Set Max ADDRESS command is issued. Since the device functions in the same manner as a 6.2 GB device, any BIOS, device driver, or application software will access the drive as if it were a 6.2 GB device.

### 3. *Conventional usage without system software support*

Since the drive works as a 6.2 GB device, there is no special care required for normal use of this device.

### 4. *Advanced usage using protected area*

The data in the protected area is accessed by the following steps.

- i. Issue Read Native Max ADDRESS command to get the real device maximum LBA. Returned value shows that native device maximum LBA is 12,692,735 (C1ACFFh) regardless of the current setting.
- ii. Make entire device accessible, including the protected area, by setting device maximum LBA as 12,692,735 (C1ACFFh) via the Set Max ADDRESS command with the volatile option. By using this option, unexpected power removal or reset will prevent the protected area from remaining accessible.
- iii. Read information data from protected area.
- iv. Issue hard reset or POR to inhibit any access to the protected area.

## **10.9.2 Security extensions**

- Set Max Set Password
- Set Max Lock
- Set Max Freeze Lock
- Set Max Unlock

The Set Max Set Password command allows the host to define the password to be used during the current power on cycle. The password does not persist over a power cycle but does persist over a hardware or software reset. This password is not related to the password used for the Security Mode Feature set. When the password is set the device is in the Set\_Max\_Unlocked mode. The Set Max Lock command allows the host to disable the Set Max commands (except set Max Unlock) until the next power cycle or the issuance and acceptance of the Set Max Unlock command. When this command is accepted, the device is in the Set\_Max\_Locked mode. The Set Max Unlock command changes the device from the Set\_Max\_Locked mode to the Set\_Max\_Unlocked mode. The Set Max Freeze Lock command allows the host to disable the Set Max commands (including Set Max UNLOCK) until the next power cycle. When this command is accepted, the device is in the Set\_Max\_Frozen mode.

The IDENTIFY DEVICE response word 83, bit 8 indicates that this extension is supported if set, and word 86, bit 8 indicates the Set Max security extension is enabled if set.

## 10.10 Seek overlap

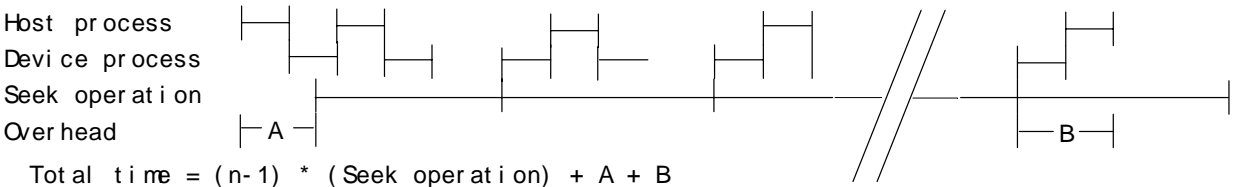
HDS7216xxPLA3y0 provides an accurate method for measuring seek time. The seek command is usually used to measure the device seek time by accumulating the execution time for a number of seek commands. With typical implementation of seek command this measurement must include the device and host command overhead. To eliminate this overhead the drive overlaps the seek command as described below.

The first seek command is completed before the actual seek operation is ended. Then the device can receive the next seek command from the host; however, the actual seek operation for the next seek command starts immediately after the actual seek operation for the first seek command is completed. In other words, the execution of two seek commands overlaps excluding the time required for the actual seek operation.

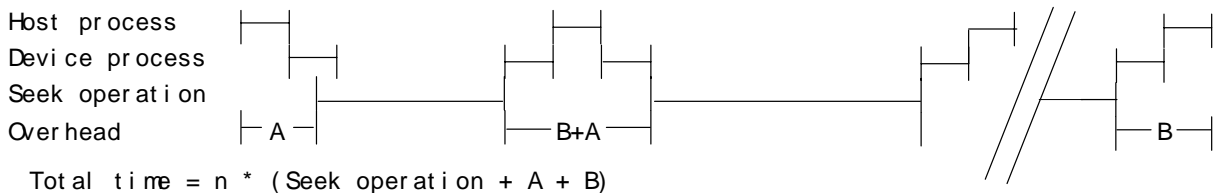
With this overlap the total elapsed time for a number of seek commands results in the total accumulated time for actual seek operation plus one pre- and post-overhead. When the number of seeks is large, only one overhead may be ignored.

**Table 44: Seek overlap**

(1) With overlap



(2) Without overlap



## 10.11 Write cache function

Write cache is a performance enhancement whereby the device reports the completion of the write command (Write Sectors, Write Multiple, and Write DMA) to the host as soon as the device has received all of the data into its buffer. The device assumes the responsibility for subsequently writing the data onto the disk.

- While writing data after completed acknowledgment of a write command, soft reset or hard reset does not affect its operation. However power off terminates the writing operation immediately and unwritten data is lost.
- The Soft reset, Standby (Immediate) command, and Flush Cache commands during the writing of the cached data are executed after the completion of writing to media. So the host system can confirm the completion of write cache operation by issuing a Soft reset, Standby (Immediate) command, or Flush Cache command to the device. before power off.

## **10.12 Reassign function**

The Reassign function is used with read commands and write commands. The sectors of data for reassignment are prepared as the spare data sector.

This reassignment information is registered internally and the information is available right after completing the Reassign function. Also the information is used on the next power on reset or hard reset.

If the number of the spare sector reaches 0 sector, the Reassign function will be automatically disabled.

The spare sectors for reassignment are located at regular intervals from Cylinder 0. As a result of reassignment the physical location of logically sequenced sectors will be dispersed.

### **10.12.1 Auto Reassign function**

The sectors which show some errors may be reallocated automatically when specific conditions are met. The spare tracks for reallocation are located at regular intervals from Cylinder 0. The conditions for auto- reallocation are described below.

#### **10.12.1.1 Nonrecovered write errors**

When a write operation cannot be completed after the Error Recovery Procedure (ERP) is fully carried out, the sector(s) are reallocated to the spare location. An error is reported to the host system only when the write cache is disabled and the auto reallocation has failed.

If the Write Cache function is ENABLED when the number of available spare sectors reaches 0 sector, both Auto Reassign function and Write Cache function are automatically disabled.

#### **10.12.1.2 Nonrecovered read errors**

When a read operation has failed after defined ERP is fully carried out, a hard error is reported to the host system. This location is registered internally as a candidate for reallocation. When a registered location is specified as a target of a write operation, a sequence of media verification is performed automatically. When the result of this verification meets the criteria, this sector is reallocated.

#### **10.12.1.3 Recovered read errors**

When a read operation for a sector has failed once and then has recovered at the specific ERP step, this sector of data is automatically reallocated. A media verification sequence may be run prior to the reallocation according to the predefined conditions.



## 10.13 Power-Up in Standby feature set

The Power-Up In Standby feature set allows devices to be powered-up into the Standby power management state to minimize inrush current at power-up and to allow the host to sequence the spin-up of devices.

This feature set will be enabled and disabled via the SET FEATURES command or the use of a jumper. When enabled by a jumper, the feature set shall not be disabled via the SET FEATURES command. The enabling of this feature set shall be persistent after power cycle.

A device needs a SET FEATURES subcommand to spin-up to active state when the device has powered up into Standby. The device remains in Standby until the SET FEATURES subcommand is received.

If power-up into Standby is enabled when an IDENTIFY DEVICE is received while the device is in Standby as a result of powering up into Standby, the device shall set word 0 bit 2 to one to indicate that the response is incomplete, only words 0 and 2 are correctly reported.

The IDENTIFY DEVICE information indicates the states as follows:

- identify device information is complete or incomplete
- this feature set is implemented
- this feature set is enabled or disabled
- the device needs the Set Features command to spin-up into active state

## 10.14 Advanced Power Management feature set (APM)

This feature allows the host to select an advanced power management level. The advanced power management level is a scale from the lowest power consumption setting of 01h to the maximum performance level of FEh. Device performance may increase with increasing advanced power management levels. Device power consumption may increase with increasing advanced power management levels. The advanced power management levels contain discrete bands described in the section of SET FEATURES command in detail. This feature set uses the following functions:

- A SET FEATURES subcommand to enable Advanced Power Management
- A SET FEATURES subcommand to disable Advanced Power Management

Advanced Power Management, Automatic Acoustic Management, and the Standby timer setting are independent functions. The device shall enter Standby mode if any of the following are true:

1. The Standby timer has been set and times out
2. Automatic Power Management is enabled and the associated algorithm indicates that the Standby mode should be entered to save power
3. Automatic Acoustic Management is enabled and the associated algorithm indicates that the Standby mode should be entered to reduce acoustical emanations

The IDENTIFY DEVICE response word 83, bit 3 indicates that Advanced Power Management feature is supported if set. Word 86, bit 3 indicates that Advanced Power Management is enabled if set. Word 91, bits 7-0 contains the current Advanced Power Management level if it is enabled.

## 10.15 Automatic Acoustic Management feature set (AAM)

This feature set allows the host to select an acoustic management level. The acoustic management level may range from the lowest acoustic emanation setting of 01h to the maximum performance level of FEh. Device performance and acoustic emanation may increase with increasing acoustic management levels. The acoustic management levels may contain discrete bands. Automatic Acoustic Management levels 80h and higher do not permit the device to enter Standby mode as a result of the Automatic Acoustic Management algorithm. The Automatic Acoustic Management feature set uses the following functions:

1. A SET FEATURES subcommand to enable Automatic Acoustic Management
2. A SET FEATURES subcommand to disable Automatic Acoustic Management

Advanced Power Management, Automatic Acoustic Management, and the Standby timer setting are independent functions. The device shall enter Standby mode if any of the following are true:

1. The Standby timer has been set and times out.
2. Automatic Power Management is enabled and the associated algorithm indicates that the Standby mode should be entered to save power.
3. Automatic Acoustic Management is enabled and the associated algorithm indicates that the Standby mode should be entered to reduce acoustical emanations.

The IDENTIFY DEVICE response word 83, bit 9 indicates that Automatic Acoustic Management feature is supported if set. Word 86, bit 9 indicates that Automatic Acoustic Management is enabled if set. Word 94, bits 7-0s contains the current Automatic Acoustic Management level if Automatic Acoustic Management is enabled, and bits 8-15 contain the Vendor's recommended AAM level.

## 10.16 Address Offset Feature

Computer systems perform initial code loading (booting) by reading from a predefined address on a drive. To allow an alternate bootable operating system to exist in a system reserved area on a drive, this feature provides a Set Features function to temporarily offset the drive address space. The offset address space wraps around so that the entire drive address space remains addressable in offset mode. Max LBA in offset mode is set to the end of the system reserved area to protect the data in the user area when operating in offset mode. The Max LBA can be changed by a Set Max Address command to access the user area. If the native MAX LBA is set, the whole user area can be accessed. But any commands which access sectors across the original native maximum LBA are rejected with error, even if this protection is removed by an Set Max Address command.

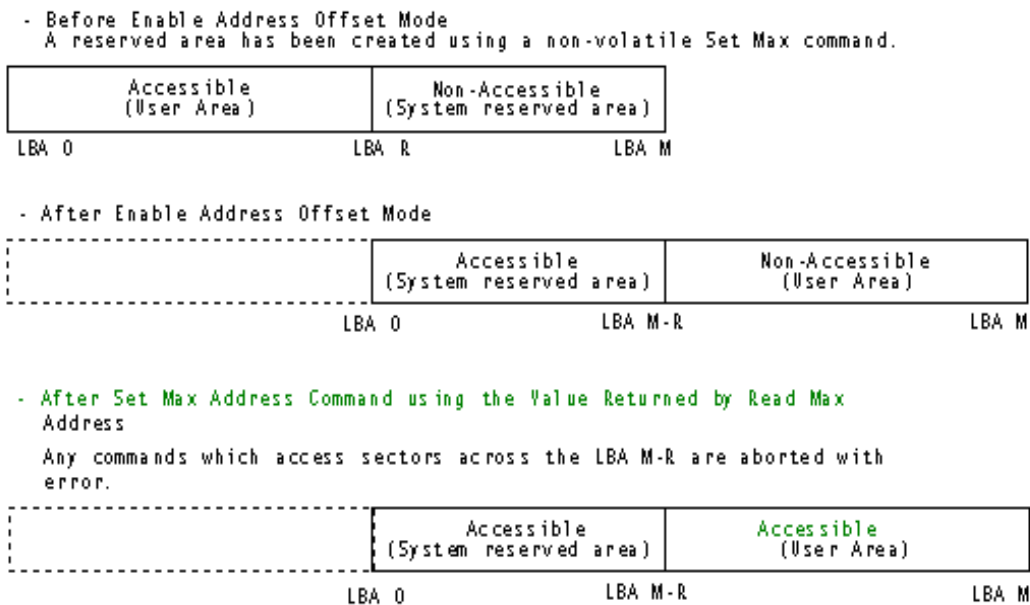
### 10.16.1 Enable/Disable Address Offset Mode

Subcommand code 09h Enable Address Offset Mode offsets address Cylinder 0, Head 0, Sector 1, LBA 0, to the start of the nonvolatile protected area established using the Set Max Address command. The offset condition is cleared by Subcommand 89h Disable Address Offset Mode, Hardware reset or Power on Reset. If Reverting to Power on Defaults has been enabled by Set Features command, it is cleared by Soft reset as well. Upon entering offset mode the capacity of the drive returned in the Identify Device data is the size of the former protected area. A subsequent Set Max Address command with the address returned by the Read Max Address command allows access to the entire drive. Addresses wrap so the entire drive remains addressable.

If a nonvolatile protected area has not been established before the device receives a Set Features Enable Address Offset Mode command, the command fails with Abort error status.

Disable Address Offset Feature removes the address offset and sets the size of the drive reported by the Identify Device command back to the size specified in the last nonvolatile Set Max Address command.

**Table 45: Device address map before and after Set Feature**



## **10.16.2 Identify Device Data**

Identify Device data, word 83, bit 7 indicates the device supports the Address Offset Feature. Identify Device data, word 86, bit 7 indicates the device is in Address Offset mode.

## **10.16.3 Exceptions in Address Offset Mode**

Any commands which access sectors across the original native maximum LBA are rejected with error, even if the access protection is removed by a Set Max Address command.

If the sectors for Read Look Ahead operation include the original native maximum LBA, Read Look Ahead operation is not carried out, even if it is enabled by the Set Feature command.

## 10.17 48-bit Address Feature Set

The 48-bit Address feature set allows devices with capacities up to 281,474,976,710,655 sectors. This allows device capacity up to 144,115,188,075,855,360 bytes. In addition, the number of sectors that may be transferred by a single command are increased by increasing the allowable sector count to 16 bits.

Commands unique to the 48-bit Address feature set are

- Flush Cache Ext
- Read DMA Ext
- Read Multiple Ext
- Read Native Max Address Ext
- Read Sector(s) Ext
- Read Verify Sector(s) Ext
- Set Max Address Ext
- Write DMA Ext
- Write Multiple Ext
- Write Sector(s) Ext

The 48-bit Address feature set operates in LBA addressing only. Devices also implement commands using 28-bit addressing, and 28-bit and 48-bit commands may be intermixed.

In a device, the Features, the Sector Count, the Sector Number, the Cylinder High, and the Cylinder Low registers are a two-byte-deep FIFO. Each time one of these registers is written, the new content written is placed into the "most recently written" location and the previous content is moved to "previous content" location.

The host may read the "previous content" of the Features, the Sector Count, the Sector Number, the Cylinder High, and the Cylinder Low registers by first setting the High Order Bit (HOB, bit 7) of the Device control register to one and then reading the desired register. If HOB in the Device Control register is cleared to zero, the host reads the "most recently written" content when the register is read. A write to any Command Block register shall cause the device to clear the HOB bit to zero in the Device Control register. The "most recently written" content always gets written by a register write regardless of the state of HOB in the Device Control register.

Support of the 48-bit Address feature set is indicated in the Identify Device response bit 10 word 83. In addition, the maximum user LBA address accessible by 48-bit addressable commands is contained in Identify Device response words 100 through 103.

When the 48-bit Address feature set is implemented, the native maximum address is the value returned by a Read Native Max Address Ext command. If the native maximum address is equal to or less than 268,435,455, a Read Native Max Address shall return the native maximum address. If the native maximum address is greater than 268,435,455, a Read Native Max Address shall return a value of 268,435,455.

## 10.18 Streaming feature Set

The Streaming feature set is an optional feature set that allows a host to request delivery of data from a contiguous logical block address range within an allotted time. This places a priority on time to access the data rather than the integrity of the data. Streaming feature set commands only support 48-bit addressing.

A device that implements the Streaming feature set shall implement the following minimum set of commands:

- Configure Stream
- Read Stream PIO
- Write Stream PIO

- Read Stream DMA
- Write Stream DMA
- Read Log Ext

Support of the Streaming feature set is indicated in Identify Device work 84 bit 4.

Note that PIO versions of these commands limit the transfer rate (16.6 MB/s), provide no CRC protection, and limit status reporting as compared to a DMA implementation.

### **10.18.1 Streaming commands**

The streaming commands are defined to be time critical data transfers rather than the standard data integrity critical commands. Each command shall be completed within the time specified in the Configure Stream command or in the streaming command itself in order to ensure the stream requirements of the AV type application. The device may execute background tasks as long as the Read Stream and Write Stream command execution time limits are still met.

Using the Configure Stream command, the host may define the various stream properties including the default Command Completion Time Limit (CCTL) to assist the device in setting up its caching for best performance. If the host does not use a Configure Stream command, the device shall use the CCTL specified in each streaming command, and the time limit is effective for one time only. If the CCTL is not set by Configure Stream command, the operation of a streaming command with a zero CCTL is device vendor specific. If Stream ID is not set by a Configure Stream command, the device shall operate according to the Stream ID set by the streaming command. The operation is device vendor specific.

The streaming commands may access any user LBA on a device. These commands may be interspersed with non-streaming commands, but there may be an impact on performance due to the unknown time required to complete the non-streaming commands.

The streaming commands should be issued using a specified minimum number of sectors transferred per command, as specified in word 95 of the Identify Device response. The transfer length of a request should be a multiple of the minimum number of sectors per transfer.

The host provided numeric stream identifier, Stream ID, may be used by the device to configure its resources to support the streaming requirements of the AV content. One Stream ID may be configured for each read and write operation with different command completion time limits be each Configure Stream command.

### **10.18.2 Urgent bit**

The Urgent bit in the Read Stream and Write Stream commands specifies that the command should be completed in the minimum possible time by the device and shall be completed within the specified Command Completion Time Limit.

### **10.18.3 Flush to Disk bit**

The Flush to Disk bit in the Write Stream command specifies that all data for the specified stream shall be flushed to the media before posting command completion. If a host requests flushes at times other than the end of each Allocation Unit, streaming performance may be degraded. The Set Features command to enable/disable caching shall not affect caching for streaming commands.

### **10.18.4 Not Sequential bit**

The Not Sequential bit specifies that the next read stream command with the same Stream ID may not be sequential in LBA space. This information helps the device with pre-fetching decisions.

### **10.18.5 Read Continuous bit**

If the Read Continuous bit is set to one for the command, the device shall transfer the requested amount of data to the host within the Command Completion Time Limit even if an error occurs. The data sent to the host by the device in an error condition is vendor specific.

### **10.18.6 Write Continuous bit**

If the Write Continuous bit is set to one for the command, and an error is encountered, the device shall complete the request without posting an error. If an error cannot be resolved within the Command Completion Time Limit, the erroneous section on the media may be unchanged or may contain undefined data. A future read of this area may not report an error, even though the data is erroneous.

### **10.18.7 Handle Streaming Error bit**

The Handle Streaming Error bit specifies to the device that this command starts at the LBA of a recently reported error section, so the device may attempt to continue its corresponding error recovery sequence where it left off earlier. This mechanism allows the host to schedule error recovery and defect management for content critical data.

### **10.18.8 Streaming Logs**

The Streaming Data Transfer feature set requires two error logs and one performance log. These logs are accessed via the Read Log Ext command; the information included in the error logs is volatile and is not maintained across power cycles, hard resets, or sleep. These error logs are 512 bytes in length and retain the last 31 errors that occurred during any Streaming Data transfer.

## **10.19 SATA BIST (Built-in Self Test)**

The device supports the following BIST modes, and begins operations when it receives BIST Activate FIS.

F - Far End Analog Loopback.

L - Far End Retimed Loopback

T - Far End Transmit only

A - ALIGN Bypass (valid only in combination with T bit)

S - Bypass Scrambling (valid only in combination with T bit)

## **10.20 SATA Interface Power Management**

The device supports both receiving host-initiated interface power management requests and initiating interface power management. The device initiates interface power management when the device enters its power saving mode whose power consumption is lower than Normal Idle mode.

## **10.21 Software Setting Preservation**

When a device is enumerated, software will configure the device using SET FEATURES and other commands. These software settings are often preserved across software reset but not necessarily across hardware reset. In Parallel ATA, only commanded hardware resets can occur, thus legacy software only reprograms settings that are cleared for the particular type of reset it has issued. In Serial ATA, COMRESET is equivalent to hard reset and a



non-commanded COMRESET may occur if there is an asynchronous loss of signal. Since COMRESET is equivalent to hardware reset, in the case of an asynchronous loss of signal some software settings may be lost without legacy software knowledge. In order to avoid losing important software settings without legacy driver knowledge, the software settings preservation ensures that the value of important software settings is maintained across a COMRESET. Software settings preservation may be enabled or disabled using SET FEATURES with a subcommand code of 06h. If a device supports software settings preservation, the feature shall be enabled by default.

### 10.21.1 COMRESET Preservation Requirements

The software settings that shall be preserved across COMRESET are listed below. The device is only required to preserve the indicated software setting if it supports the particular feature/command the setting is associated with.

**INITIALIZE DEVICE PARAMETERS:** Device settings established with the INITIALIZE DEVICE PARAMETERS command.

**Power Management Feature Set Standby Timer:** The Standby timer used in the Power Management feature set.

**Read/Write Stream Error Log:** The Read Stream Error Log and Write Stream Error Logs (accessed using READ LOG EXT and WRITE LOG EXT).

**Security mode state:** The security mode state established by Security Mode feature set commands (refer to section 6.13 of the ATA/6 specification). The device shall not transition to a different security mode state based on a COMRESET. For example, the device shall not transition from the SEC5: Unlocked / not Frozen state to state SEC4: Security enabled / Locked when a COMRESET occurs, instead the device shall remain in the SEC5: Unlocked / not Frozen state.

**SECURITY FREEZE LOCK:** The Frozen mode setting established by the SECURITY FREEZE LOCK command.

**SECURITY UNLOCK:** The unlock counter that is decremented as part of a failed SECURITY UNLOCK command attempt.

**SET ADDRESS MAX (EXT):** The maximum LBA specified in SET ADDRESS MAX or SET ADDRESS MAX EXT.

**SET FEATURES (Write Cache Enable/Disable):** The write cache enable/disable setting established by the SET FEATURES command with subcommand code of 02h or 82h.

**SET FEATURES (Set Transfer Mode):** PIO, Multiword, and UDMA transfer mode settings established by the SET FEATURES command with subcommand code of 03h.

**SET FEATURES (Advanced Power Management Enable/Disable):** The advanced power management enable/disable setting established by the SET FEATURES command with subcommand code of 05h or 85h. The advanced power management level established in the Sector Count register when advanced power management is enabled (SET FEATURES subcommand code 05h) shall also be preserved.

**SET FEATURES (Read Look-Ahead):** The read look-ahead enable/disable setting established by the SET FEATURES command with subcommand code of 55h or AAh.

**SET FEATURES (Reverting to Defaults):** The reverting to power-on defaults enable/disable setting established by the SET FEATURES command with a subcommand code of CCh or 66h.

**SET MULTIPLE MODE:** The block size established with the SET MULTIPLE MODE command.

## **10.22 SATA II Optional Features**

There are several optional features defined in SATA II. The following shows whether these features are supported or not.

### **10.22.1 Asynchronous Signal Recovery**

The device supports asynchronous signal recovery defined in SATA II.

### **10.22.2 Device Power Connector Pin 11 Definition**

SATA II specification defines that Pin 11 of the power segment of the device connector may be used to provide the host with an activity indication and disabling of staggered spin-up. The device does not support both usage of Pin 11.

### **10.22.3 Phy Event Counters**

The device does not support Phy Event Counters defined in SATA II.

## 11.0 Command protocol

The commands are grouped into different classes according to the protocols followed for command execution. The command classes with their associated protocols are defined below.

Please refer to Serial ATA Revision 1.0a (Section 9. device command layer protocol) and Serial ATA II: Extensions to Serial ATA 1.0a (Section 4. Command layer) about each protocol.

For all commands, the host must first check if BSY=1, and should proceed no further unless and until BSY=0. For all commands, the host must also wait for RDY=1 before proceeding.

A device must maintain either BSY=1 or DRQ=1 at all times until the command is completed. The INTRQ signal is used by the device to signal most, but not all, times when the BSY bit is changed from 1 to 0 during command execution.

A command shall only be interrupted with a COMRESET or software reset. The result of writing to the Command register while BSY=1 or DRQ=1 is unpredictable and may result in data corruption. A command should only be interrupted by a reset at times when the host thinks there may be a problem, such as a device that is no longer responding.

Interrupts are cleared when the host reads the Status Register, issues a reset, or writes to the Command Register.

See Section 13.0, “Timings” on page 237 for the device time-out values.

## 11.1 PIO Data In commands

The following are Data In commands:

- Device Configuration Identity
- Identify Device
- Read Buffer
- Read Log Ext
- Read Long
- Read Multiple
- Read Multiple Ext
- Read Sector(s)
- Read Sector(s) Ext
- S.M.A.R.T. Read Attribute Values
- S.M.A.R.T. Read Attribute Thresholds
- S.M.A.R.T. Read log sector

Execution includes the transfer of one or more 512 byte (> 512 bytes on Read Long) sectors of data from the device to the host.

1. The host writes any required parameters to the Features, Sector Count, Sector Number, Cylinder, and Device/Head Registers.
2. The host writes the command code to the Command Register.
3. For each sector (or block) of data to be transferred:
  - a. The device sets BSY = 1 and prepares for data transfer.
  - b. When a sector (or block) of data is available for transfer to the host, the device sets BSY = 0, sets DRQ = 1, and interrupts the host.
  - c. In response to the interrupt the host reads the Status Register.
  - d. The device clears the interrupt in response to the Status Register being read.
  - e. The host reads one sector (or block) of data via the Data Register.
  - f. The device sets DRQ = 0 after the sector (or block) has been transferred to the host.
4. For the Read Long command:
  - a. The device sets BSY = 1 and prepares for data transfer.
  - b. When the sector of data is available for transfer to the host, the device sets BSY = 0 and DRQ=1 and interrupts the host.
  - c. In response to the interrupt, the host reads the Status Register.
  - d. The device clears the interrupt in response to the Status Register being read.
  - e. The host reads the sector of data including ECC bytes via the Data Register.
  - f. The device sets DRQ = 0 after the sector has been transferred to the host.

The Read Multiple command transfers one block of data for each interrupt. The other commands transfer one sector of data for each interrupt.

Note that the status data for a sector of data is available in the Status Register **before** the sector is transferred to the host.

If the device detects an invalid parameter, then it will abort the command by setting BSY = 0, ERR = 1, ABT = 1, and interrupting the host.

If an error occurs, the device will set BSY = 0, ERR = 1, and DRQ = 1. The device will then store the error status in the Error Register and interrupt the host. The registers will contain the location of the sector in error. The error location will be reported using CHS mode or LBA mode. The mode is decided by the mode select bit (bit 6) of the Device/Head register upon issuing the command.

If an Uncorrectable Data Error (UNC = 1) occurs, the defective data will be transferred from the media to the sector buffer and will be available for transfer to the host at the host's option. In case of a Read Multiple command, the host should complete transfer of the block which includes the error from the sector buffer and terminate whatever type of error that occurred.

All data transfers to the host through the Data Register are 16 bits except for the ECC bytes which are 8 bits.

## 11.2 PIO Data Out Commands

The following are Data Out commands:

- Device Configuration SET
- Format Track
- Security Disable Password
- Security Erase Unit
- Security Set Password
- Security Unlock
- Set Max Set Password
- Set Max Unlock
- S.M.A.R.T. Write log sector
- Write Buffer
- Write Log Ext
- Write Long
- Write Multiple
- Write Multiple Ext
- Write Sector(s)
- Write Sector(s) Ext

Execution includes the transfer of one or more 512 byte (> 512 bytes on Write Long) sectors of data from the host to the device.

1. The host writes any required parameters to the Features, Sector Count, Sector Number, Cylinder, and Device/Head Registers.
2. The host writes the command code to the Command Register.
3. The device sets BSY = 1.
4. For each sector (or block) of data to be transferred:
  - a. The device sets BSY = 0 and DRQ = 1 when it is ready to receive a sector (or block).
  - b. The host writes one sector (or block) of data via the Data Register.
  - c. The device sets BSY = 1 after it has received the sector (or block).
  - d. When the device has finished processing the sector (or block), it sets BSY = 0 and interrupts the host.
  - e. In response to the interrupt, the host reads the Status Register.
  - f. The device clears the interrupt in response to the Status Register being read.
5. For the Write Long command:
  - a. The device sets BSY = 0 and DRQ = 1 when it is ready to receive a sector.
  - b. The host writes one sector of data including ECC bytes via the Data Register.
  - c. The device sets BSY = 1 after it has received the sector.
  - d. After processing the sector of data, the device sets BSY = 0 and interrupts the host.
  - e. In response to the interrupt the host reads the Status Register.
  - f. The device clears the interrupt in response to the Status Register being read.

The Write Multiple command transfers one block of data for each interrupt. The other commands transfer one sector of data for each interrupt.

If the device detects an invalid parameter, it will abort the command by setting BSY = 0, ERR = 1, ABT = 1, and interrupting the host.

If an uncorrectable error occurs, the device will set BSY = 0 and ERR = 1, store the error status in the Error Register, and interrupt the host. The registers will contain the location of the sector in error. The errored location will be reported with CHS mode or LBA mode. The mode is decided by the mode select bit (bit 6) of the Device/Head register on issuing the command.

All data transfers to the device through the Data Register are 16 bits except for the ECC bytes which are 8 bits.

## 11.3 Non-data commands

The following are Non-data commands:

- Check Power Mode
- Device Configuration FREEZE LOCK
- Device Configuration RESTORE
- Execute Device Diagnostic
- Flush Cache
- Flush Cache Ext
- Idle
- Idle Immediate
- Initialize Device Parameters
- NOP
- Read Native Max ADDRESS
- Read Native Max ADDRESS Ext
- Read Verify Sector(s)
- Read Verify Sector(s) Ext
- Recalibrate
- Security Erase Prepare
- Security Freeze Lock
- Seek
- Set Features
- Set Max ADDRESS
- Set Max ADDRESS Ext
- Set Max LOCK
- Set Max FREEZE LOCK
- Set Multiple Mode
- Sleep
- S.M.A.R.T. Disable Operations
- S.M.A.R.T. Enable/Disable Attribute Autosave
- S.M.A.R.T. Enable/Disable Automatic Off Line
- S.M.A.R.T. Enable Operations
- S.M.A.R.T. Execute Off-line Data Collection
- S.M.A.R.T. Return Status
- S.M.A.R.T. Save Attribute Values
- Standby
- Standby Immediate

Execution of these commands involves no data transfer:

- a. The host writes any required parameters to the Features, Sector Count, Sector Number, Cylinder, and Device/Head Registers.
- b. The host writes the command code to the Command Register.
- c. The device sets BSY = 1.
- d. When the device has finished processing the command, it sets BSY = 0 and interrupts the host.
- e. In response to the interrupt the host reads the Status Register.
- f. The device clears the interrupt in response to the Status Register being read



## 11.4 DMA Data In Commands and DMA Data Out Commands

The following are DMA commands:

- Read DMA
- Read DMA Ext
- Read Stream DMA
- Write DMA
- Write DMA Ext
- Write Stream DMA

Execution of this class of command includes the transfer of one or more blocks of data between the device and the host using DMA transfer.

## 11.5 First-Party DMA Commands

These commands are:

- Read FPDMA Queued
- Write FPDMA Queued

Execution of this class of commands includes command queuing and the transfer of one or more blocks of data between the device and the host. The protocol is described in the section 4.2 "Native Command Queuing" of "Serial ATA II: Extensions to Serial ATA 1.0a."

## 12.0 Command descriptions

The table below shows the commands that are supported by the device. Table 47: “Command Set (subcommand)” on page 98 shows the subcommands that are supported by each command or feature.

**Table 46: Command Set**

Protocol	Command	(Hex)	7	6	5	4	3	2	1	0
3	Check Power Mode	E5	1	1	1	0	0	1	0	1
3	Check Power Mode*	98	1	0	0	1	1	0	0	0
3	Configure Stream	51	0	1	0	1	0	0	0	1
3	Device Configuration Restore	B1	1	0	1	1	0	0	0	1
3	Device Configuration Freeze Lock	B1	1	0	1	1	0	0	0	1
1	Device Configuration Identify	B1	1	0	1	1	0	0	0	1
2	Device Configuration Set	B1	1	0	1	1	0	0	0	1
2	Download Microcode	92	1	0	0	1	0	0	1	0
3	Execute Device Diagnostic	90	1	0	0	1	0	0	0	0
3	Flush Cache	E7	1	1	1	0	0	1	1	1
3	Flush Cache Ext	EA	1	1	1	0	1	0	1	0
2	Format Track	50	0	1	0	1	0	0	0	0
1	Identify Device	EC	1	1	1	0	1	1	0	0
3	Idle	E3	1	1	1	0	0	0	1	1
3	Idle*	97	1	0	0	1	0	1	1	1
3	Idle Immediate	E1	1	1	1	0	0	0	0	1
3	Idle Immediate*	95	1	0	0	1	0	1	0	1
3	Initialize Device Parameters	91	1	0	0	1	0	0	0	1
1	Read Buffer	E4	1	1	1	0	0	1	0	0
4	Read DMA	C8	1	1	0	0	1	0	0	0
4	Read DMA	C9	1	1	0	0	1	0	0	1
4	Read DMA Ext	25	0	0	1	0	0	1	0	1
1	Read Long	22	0	0	1	0	0	0	1	0
1	Read Long	23	0	0	1	0	0	0	1	1
1	Read Log Ext	2F	0	0	1	0	1	1	1	1
1	Read Multiple	C4	1	1	0	0	0	1	0	0
1	Read Multiple Ext	29	0	0	1	0	1	0	0	1
3	Read Native Max Address	F8	1	1	1	1	1	0	0	0
3	Read Native Max Address Ext	27	0	0	1	0	0	1	1	1

Protocol	Command	(Hex)	7	6	5	4	3	2	1	0
1	Read Sector(s)	20	0	0	1	0	0	0	0	0
1	Read Sector(s)	21	0	0	1	0	0	0	0	1
1	Read Sector(s) Ext	24	0	0	1	0	0	1	0	0
4	Read Stream DMA	2A	0	0	1	0	1	0	1	0
4	Read Stream PIO	2B	0	0	1	0	1	0	1	0
3	Read Verify Sector(s)	40	0	1	0	0	0	0	0	0
3	Read Verify Sector(s)	41	0	1	0	0	0	0	0	1
3	Read Verify Sector(s) Ext	42	0	1	0	0	0	0	1	0
3	Recalibrate	1x	0	0	0	1	-	-	-	-
2	Security Disable Password	F6	1	1	1	1	1	0	1	0
3	Security Erase Prepare	F3	1	1	1	1	0	0	1	1
2	Security Erase Unit	F4	1	1	1	1	0	1	0	0
3	Security Freeze Lock	F5	1	1	1	1	0	1	0	1
2	Security Set Password	F1	1	1	1	1	0	0	0	1
2	Security Unlock	F2	1	1	1	1	0	0	1	0
3	Seek	7x	0	1	1	1	-	-	-	-
3	Set Features	EF	1	1	1	0	1	1	1	1
3	Set Max Address	F9	1	1	1	1	1	0	0	1
3	Set Max Address Ext	37	0	0	1	1	0	1	1	1
3	Set Multiple Mode	C6	1	1	0	0	0	1	1	0
3	Sleep	E6	1	1	1	0	0	1	1	0
3	Sleep*	99	1	0	0	1	1	0	0	1
3	SMART Disable Operations	B0	1	0	1	1	0	0	0	0
3	SMART Enable/Disable Attribute Auto save	B0	1	0	1	1	0	0	0	0
3	SMART Enable Operations	B0	1	0	1	1	0	0	0	0
3	SMART Execute Off-line Data Collection	B0	1	0	1	1	0	0	0	0
1	SMART Read Attribute Values	B0	1	0	1	1	0	0	0	0
1	SMART Read Attribute Thresholds	B0	1	0	1	1	0	0	0	0
3	SMART Return Status	B0	1	0	1	1	0	0	0	0
3	SMART Save Attribute Values	B0	1	0	1	1	0	0	0	0
2	SMART Write Log Sector	B0	1	0	1	1	0	0	0	0
3	SMART Enable/Disable Automatic Off-line	B0	1	0	1	1	0	0	0	0

Protocol	Command	(Hex)	7	6	5	4	3	2	1	0
3	Standby	E2	1	1	1	0	0	0	1	0
3	Standby*	96	1	0	0	1	0	1	1	0
3	Standby Immediate	E0	1	1	1	0	0	0	0	0
3	Standby Immediate*	94	1	0	0	1	0	1	0	0
2	Write Buffer	E8	1	1	1	0	1	0	0	0
4	Write DMA	CA	1	1	0	0	1	0	1	0
4	Write DMA	CB	1	1	0	0	1	0	1	1
4	Write DMA Ext	35	0	0	1	1	0	1	0	1
2	Write Log Ext	3F	0	0	1	1	1	1	1	1
2	Write Long	32	0	0	1	1	0	0	1	0
2	Write Long	33	0	0	1	1	0	0	1	1
2	Write Multiple	C5	1	1	0	0	0	1	0	1
2	Write Multiple Ext	39	0	0	1	1	1	0	0	1
2	Write Sector(s)	30	0	0	1	1	0	0	0	0
2	Write Sector(s)	31	0	0	1	1	0	0	0	1
2	Write Sector(s) Ext	34	0	0	1	1	0	1	0	0
4	Write Stream DMA	3A	0	0	1	1	1	0	1	0
4	Write Stream PIO	3B	0	0	1	1	1	0	1	1

Commands marked \* are alternate command codes for previously defined commands

Protocol:    1 : PIO data IN command  
               2 : PIO data OUT command  
               3 : Non data command  
               4 : DMA command  
               + : Vendor specific command

**Table 47: Command Set (subcommand)**

Command (Subcommand)	Command Code (Hex)	Feature Register (Hex)
<b>S.M.A.R.T. Function</b>		
S.M.A.R.T. Read Attribute Values	B0	D0
S.M.A.R.T. Read Attribute Thresholds	B0	D1
S.M.A.R.T. Enable/Disable Attribute Autosave	B0	D2
S.M.A.R.T. Save Attribute Values	B0	D3
S.M.A.R.T. Execute Off-line Immediate	B0	D4
S.M.A.R.T. Read Log	B0	D5
S.M.A.R.T. Write Log	B0	D6
S.M.A.R.T. Enable Operations	B0	D8
S.M.A.R.T. Disable Operations	B0	D9
S.M.A.R.T. Return Status	B0	DA
S.M.A.R.T. Enable/Disable Automatic Off-line	B0	DB
<b>Set Features</b>		
Enable Write Cache	EF	02
Set Transfer mode	EF	03
Enable Advanced Power Management	EF	05
Enable Power-up in Standby Feature Set	EF	06
Power-up in Standby Feature Set Device Spin-up	EF	07
Enable Address Offset mode	EF	09
Enable Automatic Acoustic Management	EF	42
52 bytes of ECC apply on Read/Write Long	EF	44
Disable read look-ahead feature	EF	55
Enable release interrupt	EF	5D
Disable reverting to power on defaults	EF	66
Disable write cache	EF	82
Disable Advanced Power Management	EF	85
Disable Power-up in Standby Feature Set	EF	86
Disable Address Offset mode	EF	89
Enable read look-ahead feature	EF	AA
4 bytes of ECC apply on Read/Write Long	EF	BB
Disable Automatic Acoustic Management	EF	C2
Enable reverting to power on defaults	EF	CC

The following symbols are used in the command descriptions.

#### Output registers

- 0 This indicates that the bit must be set to 0.
- 1 This indicates that the bit must be set to 1.
- D The device number bit. Indicates that the device number bit of the Device/Head Register should be specified. Zero selects the master device and one selects the slave device.
- H Head number. This indicates that the head number part of the Device/Head Register is an output parameter and should be specified.
- L LBA mode. This indicates the addressing mode. Zero specifies CHS mode and one specifies LBA addressing mode.
- R Retry. Original meaning is already obsolete, there is no difference between 0 and 1. (Using 0 is recommended for future compatibility.)
- B Option Bit. This indicates that the Option Bit of the Sector Count Register be specified. (This bit is used by Set Max ADDRESS command.)
- V Valid. This indicates that the bit is part of an output parameter and should be specified.
- x This indicates that the hex character is not used.
- This indicates that the bit is not used.

#### Input registers

- 0 This indicates that the bit is always set to 0.
- 1 This indicates that the bit is always set to 1.
- H Head number. This indicates that the head number part of the Device/Head Register is an input parameter and will be set by the device.
- V Valid. This indicates that the bit is part of an input parameter and will be set by the device to 0 or 1.
- N Not recommended condition for start up. Indicates that the condition of the device is not recommended for start up.
- This indicates that the bit is not part of an input parameter. Symbols are used in the command descriptions:

The command descriptions show the contents of the Status and Error Registers after the device has completed processing the command and has interrupted the host.

## 12.1 Check Power Mode (E5h/98h)

Table 48: Check Power Mode command (E5h/98h)

Command Block Output Registers								Command Block Input Registers									
Register	7	6	5	4	3	2	1	0	Register	7	6	5	4	3	2	1	0
Data	-	-	-	-	-	-	-	-	Data	-	-	-	-	-	-	-	-
Feature	-	-	-	-	-	-	-	-	Error	see below							
Sector Count	-	-	-	-	-	-	-	-	Sector Count	V	V	V	V	V	V	V	V
Sector Number	-	-	-	-	-	-	-	-	Sector Number	-	-	-	-	-	-	-	-
Cylinder Low	-	-	-	-	-	-	-	-	Cylinder Low	-	-	-	-	-	-	-	-
Cylinder High	-	-	-	-	-	-	-	-	Cylinder High	-	-	-	-	-	-	-	-
Device/Head	1	-	1	D	-	-	-	-	Device/Head	-	-	-	-	-	-	-	-
Command	1	1	1	0	0	1	0	1	Status	see below							

Error Register								Status Register							
7	6	5	4	3	2	1	0	7	6	5	4	3	2	1	0
CRC	UNC	0	IDN	0	ABT	T0N	AMN	BSY	RDY	DF	DSC	DRQ	COR	IDX	ERR
0	0	0	0	0	V	0	0	0	V	0	-	-	0	-	V

The Check Power Mode command will report whether the device is spun up and the media is available for immediate access.

### Input parameters from the device

**Sector Count** This indicates the power mode code. The command returns FFh in the Sector Count Register if the spindle motor is at speed and the device is not in Standby or Sleep mode. Otherwise, the Sector Count Register is set to 0.



## 12.2 Configure Stream (51h)

Table 49: Configure Stream (51h)

Command Block Output Registers								Command Block Input Registers															
Register				7	6	5	4	3	2	1	0	Register				7	6	5	4	3	2	1	0
Data Low				-	-	-	-	-	-	-	-	Data Low				-	-	-	-	-	-	-	-
Data High				-	-	-	-	-	-	-	-	Data High				-	-	-	-	-	-	-	-
Feature	Current		V	V	-	-	-	V	V	V		Error		see below									
	Previous		V	V	V	V	V	V	V	V													
Sector Count	Current		V	V	V	V	V	V	V	V		Sector	HOB=0	-									
	Previous		V	V	V	V	V	V	V	V		Count	HOB=1	-									
Sector Number	Current		-	-	-	-	-	-	-	-		Sector	HOB=0	-									
	Previous		-	-	-	-	-	-	-	-		Number	HOB=1	-									
Cylinder Low	Current		-	-	-	-	-	-	-	-		Cylinder	HOB=0	-									
	Previous		-	-	-	-	-	-	-	-		Low	HOB=1	-									
Cylinder High	Current		-	-	-	-	-	-	-	-		Cylinder	HOB=0	-									
	Previous		-	-	-	-	-	-	-	-		High	HOB=1	-									
Device/Head				1	1	1	D	-	-	-	-	Device/Head				-	-	-	-	-	-	-	-
Command				0	1	0	1	0	0	0	1	Status				See below ...							

Error Register								Status Register							
7	6	5	4	3	2	1	0	7	6	5	4	3	2	1	0
CRC	UNC	0	IDN	0	ABT	T0N	AMN	BSY	RDY	DF	DSC	DRQ	COR	IDX	ERR
0	0	0	0	0	V	0	0	0	V	0	V	-	0	-	V

The Configure Stream command specifies the operating parameters of an individual stream. A Configure Stream command may be issued for each stream that is to be added or removed from the current operating configuration. If A/R = 1 and the specified ID is already valid at the device, the new parameters shall replace the old parameters, unless Command Abort is returned (see abort conditions for Error Register). In this case the old parameters for the specified Stream ID shall remain in effect.

### Output Parameters To The Device

Feature Current bit 7 (A/R)	If set to one, a request to add a new stream. If cleared to zero, a request to remove a previous configured stream is specified.
Feature Current bit 6 (R/W)	R/W specifies a read stream if cleared to zero and a write stream if set to one.
Feature Current bit 0..2 (Stream ID)	The Stream ID shall be a value between 0 and 7.

Feature Current bit 7 (A/R)	If set to one, a request to add a new stream. If cleared to zero, a request to remove a previous configured stream is specified.
Feature Previous	<p>The default Command Completion Time Limit (CCTL).</p> <p>The value is calculated as follows:</p> <p>(Default CCTL) = ((content of the Features register)* (Identify Device words (99:98))) micriseconds.</p> <p>This time shall be used by the device when a streaming command with the same stream ID and a CCTL of zero are issued. The time is measured from the write of the command register to the final INTRQ for command completion.</p>
Sector Count Current	Allocation Unit Size In Sectors (7:0)
Sector Count Previous	Allocation Unit Size In Sectors (15:8)

## 12.3 Device Configuration Overlay (B1h)

Table 50: Check Power Mode Command (E5h/98h)

Command Block Output Registers								Command Block Input Registers									
Register	7	6	5	4	3	2	1	0	Register	7	6	5	4	3	2	1	0
Data	-	-	-	-	-	-	-	-	Data	-	-	-	-	-	-	-	-
Feature	1	0	1	0	V	V	V	V	Error	see below							
Sector Count	-	-	-	-	-	-	-	-	Sector Count	V	V	V	V	V	V	V	V
Sector Number	-	-	-	-	-	-	-	-	Sector Number	-	-	-	-	-	-	-	-
Cylinder Low	-	-	-	-	-	-	-	-	Cylinder Low	V	V	V	V	V	V	V	V
Cylinder High	-	-	-	-	-	-	-	-	Cylinder High	V	V	V	V	V	V	V	V
Device/Head	-	-	-	D	-	-	-	-	Device/Head	-	-	-	-	-	-	-	-
Command	1	0	1	1	0	0	0	1	Status	see below							

Error Register								Status Register							
7	6	5	4	3	2	1	0	7	6	5	4	3	2	1	0
CRC	UNC	0	IDN	0	ABT	TON	AMN	BSY	RDY	DF	DSC	DRQ	COR	IDX	ERR
0	0	0	0	0	V	0	0	V	V	0	-	V	-	-	V

Individual Device Configuration Overlay feature set commands are identified by the value placed in the Features register. The table below shows these Features register values.

Table 51: Device Configuration Overlay Features register values

Value	Command
C0h	DEVICE CONFIGURATION RESTORE
C1h	DEVICE CONFIGURATION FREEZE LOCK
C2h	DEVICE CONFIGURATION IDENTIFY
C3h	DEVICE CONFIGURATION SET
other	Reserved

### 12.3.1 DEVICE CONFIGURATION RESTORE (Subcommand C0h)

The DEVICE CONFIGURATION RESTORE command disables any setting previously made by a DEVICE CONFIGURATION SET command and returns the content of the IDENTIFY DEVICE or IDENTIFY PACKET DEVICE command response to the original settings as indicated by the data returned from the execution of a DEVICE CONFIGURATION IDENTIFY command.

### 12.3.2 DEVICE CONFIGURATION FREEZE LOCK (subcommand C1h)

The DEVICE CONFIGURATION FREEZE LOCK command prevents accidental modification of the Device Configuration Overlay settings. After successful execution of a DEVICE CONFIGURATION FREEZE LOCK command, all DEVICE CONFIGURATION SET, DEVICE CONFIGURATION FREEZE LOCK, DEVICE CONFIGURATION IDENTIFY, and DEVICE CONFIGURATION RESTORE commands are aborted by the device. The DEVICE CONFIGURATION FREEZE LOCK condition shall be cleared by a power-down. The DEVICE CONFIGURATION FREEZE LOCK condition shall not be cleared by hardware or software reset.

### 12.3.3 DEVICE CONFIGURATION IDENTIFY (subcommand C2h)

The DEVICE CONFIGURATION IDENTIFY command returns a 512 byte data structure via PIO data-in transfer. The content of this data structure indicates the selectable commands, modes, and feature sets that the device is capable of supporting. If a DEVICE CONFIGURATION SET command has been issued reducing the capabilities, the response to an IDENTIFY DEVICE or IDENTIFY PACKET DEVICE command will reflect the reduced set of capabilities, while the DEVICE CONFIGURATION IDENTIFY command will reflect the entire set of selectable capabilities.

The format of the Device Configuration Overlay data structure is shown in Table 52: “Device Configuration Overlay Data structure” on page 105.

### 12.3.4 DEVICE CONFIGURATION SET (subcommand C3h)

The DEVICE CONFIGURATION SET command allows a device manufacturer or a personal computer system manufacturer to reduce the set of optional commands, modes, or feature sets supported by a device as indicated by a DEVICE CONFIGURATION IDENTIFY command. The DEVICE CONFIGURATION SET command transfers an overlay that modifies some of the bits set in words 63, 82, 83, 84, and 88 of the IDENTIFY DEVICE command response. When the bits in these words are cleared, the device no longer support the indicated command, mode, or feature set. If a bit is set in the overlay transmitted by the device that is not set in the overlay received from a DEVICE CONFIGURATION IDENTIFY command, no action is taken for that bit.

The format of the overlay transmitted by the device is described in the table in Table 52: “Device Configuration Overlay Data structure” on page 105. The restrictions on changing these bits is described in the text following that table. If any of the bit modification restrictions described are violated or any setting is changed with DEVICE CONFIGURATION SET command, the device shall return command aborted. At that case, error reason code is returned to sector count register, invalid word location is returned to cylinder high register, and invalid bit location is returned to cylinder low register. The Definition of error information is shown in Table 53: “DCO error information definition” on page 106.

#### ERROR INFORMATION EXAMPLE 1:

If a user attempts to change maximum LBA address (DC SET or DC RESTORE) after establishing a protected area with SET MAX address, the device will abort that command and returns error reason code as below.

Cylinder high	: 03h	= word 3 is invalid
Cylinder low	: 00h	this register is not assigned in this case
Sector Number	: 00h	this register is not assigned in this case
Sector count	: 06h	= Protected area is now established

#### ERROR INFORMATION EXAMPLE 2:

If the user attempts to disable that feature when the device is enabled and the Security feature is set, the device will abort that command and returns an error reason code as below.

Cylinder high	: 07h	= word 7 is invalid
Cylinder low	: 08h	= bit 3 is invalid
Sector Number	: 08h	= bit 3 is invalid
Sector count	: 04h	= Security feature set is now enabled

**Table 52: Device Configuration Overlay Data structure**

Word	Content	
0	0001h	Data Structure revision
1	Multiword DMA modes supported	
	15-3	Reserved
	2	1 = Multiword DMA mode 2 and below are supported
	1	1 = Multiword DMA mode 1 and below are supported
	0	1 = Multiword DMA mode 0 is supported
2	Ultra DMA modes supported	
	15-7	Reserved
	6	1 = Ultra DMA mode 6 and below are supported
	5	1 = Ultra DMA mode 5 and below are supported
	4	1 = Ultra DMA mode 4 and below are supported
	3	1 = Ultra DMA mode 3 and below are supported
	2	1 = Ultra DMA mode 2 and below are supported
	1	1 = Ultra DMA mode 1 is supported
	0	1 = Ultra DMA mode 0 is supported
3-6	Maximum LBA address	
7	Command set/feature set supported	
	12	1 = SMART Selective self-test is supported
	9	1 = Streaming feature set is supported
	8	1 = 48-bit Addressing feature set supported
	7	1 = Host Protected Area feature set supported
	6	1 = Automatic acoustic management supported
	5	1 = Read/Write DMA Queued commands supported
	4	1 = Power-up in Standby feature set supported
	3	1 = Security feature set supported
	2	1 = SMART error log supported
	1	1 = SMART self-test supported
0	1 = SMART feature set supported	
8	Serial ATA command / feature sets supported	
	15-5	Reserved
	4	1 = Supports software settings preservation
	3	1 = Supports asynchronous notification
	2	1 = Supports interface power management
	1	1 = Supports non-zero buffer offset in DMA Setup FIS
	0	1 = Supports native command queuing
9-254	Reserved	
255	Integrity word*	
	15-8	Checksum
	7-0	Signature (A5h)

\*: Bits 7–0 of this word contain the value A5h. Bits 15–8 of this word contain the data structure checksum. The data structure checksum is the two's complement of the sum of all byte in words 0 through 254 and the byte consisting of bits 7–0 of word 255. Each byte is added with unsigned arithmetic and overflow is ignored. The sum of all bytes is zero when the checksum is correct.

**Table 53: DCO error information definition**

<b>Cylinder high</b>	Invalid word location	
<b>Cylinder low</b>	Invalid bit location (bits (15:8))	
<b>Sector number</b>	Invalid bit location (bits (7:0))	
<b>Sector count</b>	error reason code and description	
	01h	DCO Feature is frozen
	02h	Device is now Security Locked mode
	03h	Device's feature is already modified with DCO
	04h	User attempt to disable any feature enabled
	05h	Device is now SET MAX Locked or Frozen mode
	06h	Protected area is now established
	07h	DCO is not supported
	08h	Subcommand is invalid
	FFh	other reason

## 12.4 Download Microcode (92h)

Table 54: Downlad Microcode Command (92h)

Command Block Output Registers								Command Block Input Registers									
Register	7	6	5	4	3	2	1	0	Register	7	6	5	4	3	2	1	0
Data	-	-	-	-	-	-	-	-	Data	-	-	-	-	-	-	-	-
Feature	0	0	0	0	0	1	1	1	Error	see below							
Sector Count	Sector_Count(00-07)								Sector Count	-							
Sector Number	Sector_Count(08-15)								Sector Number	-							
Cylinder Low	-								Cylinder Low	-							
Cylinder High	-								Cylinder High	-							
Device/Head	-	-	-	D	-	-	-	-	Device/Head	-							
Command	1	0	0	1	0	0	1	0	Status	see below							

Error Register								Status Register							
7	6	5	4	3	2	1	0	7	6	5	4	3	2	1	0
CRC	UNC	0	IDN	0	ABT	T0N	AMN	BSY	RDY	DF	DSC	DRQ	COR	IDX	ERR
0	V	0	0	0	V	0	0	0	1	0	1	0	0	-	V

### Output Parameters To The Device

<b>Feature</b>	Subcommand code. Only support 07h which indicates that save downloaded code for immediate and future use.
<b>Sector Count</b>	Lower byte of 16-bit sector count value to transfer from the host.
<b>Sector Number</b>	Higher byte of 16-bit sector count value to transfer from the host.

This command enables the host to alter the device's microcode. The data transferred using the DOWNLOAD MICROCODE commands is vendor specific.

All transfers shall be an integer multiple of the sector size. The size of the data transfer is determined by the contents of the Sector Number and Sector Count registers. The Sector Number register is used to extend the Sector Count register to create a 16-bit sector count value. The Sector Number register is the most significant eight bits and the Sector Count register is the least significant eight bits. A value of zero in both the Sector Number and Sector Count registers shall indicate no data is to be transferred.

ABT will be set to 1 in the Error Register if the value in the Feature register is not 07h or the device is in Security Locked mode.

When the reload of new microcode is requested in the data sent by the host for this Download command, UNC error will be set to 1 in the Error Register if the device fails to reload new microcode. This error is reported only when the reload of microcode is requested.

In reloading new microcode, the device does not preserve its state and settings but reset them just like the device is executing a power-on. For instance, the device does DASP handshake in reloading new microcode. Thus the device does not recognize the slave device even though it exists. Also when the spin-up of the device is disabled, the device spins down after reloading new microcode.

## 12.5 Execute Device Diagnostic (90h)

Table 55: Execute Device Diagnostic command (90h)

Command Block Output Registers								Command Block Input Registers									
Register	7	6	5	4	3	2	1	0	Register	7	6	5	4	3	2	1	0
Data	-	-	-	-	-	-	-	-	Data	-	-	-	-	-	-	-	-
Feature	-	-	-	-	-	-	-	-	Error	see below							
Sector Count	-	-	-	-	-	-	-	-	Sector Count	-	-	-	-	-	-	-	-
Sector Number	-	-	-	-	-	-	-	-	Sector Number	-	-	-	-	-	-	-	-
Cylinder Low	-	-	-	-	-	-	-	-	Cylinder Low	-	-	-	-	-	-	-	-
Cylinder High	-	-	-	-	-	-	-	-	Cylinder High	-	-	-	-	-	-	-	-
Device/Head	1	-	1	-	-	-	-	-	Device/Head	-	-	-	-	-	-	-	-
Command	1	0	0	1	0	0	0	0	Status	see below							

Error Register								Status Register							
7	6	5	4	3	2	1	0	7	6	5	4	3	2	1	0
CRC	UNC	0	IDN	0	ABT	T0N	AMN	BSY	RDY	DF	DSC	DRQ	COR	IDX	ERR
V	V	V	V	V	V	V	V	0	V	0	-	-	0	-	0

The Execute Device Diagnostic command performs the internal diagnostic tests implemented by the device. The results of the test are stored in the Error Register.

The normal Error Register bit definitions do not apply to this command. Instead, the register contains a diagnostic code. See Table 38: “Default Register Values” on page 58 for the definition.



## 12.6 Flush Cache (E7h)

Table 56: Flush Cache command (E7h)

Command Block Output Registers								Command Block Input Registers									
Register	7	6	5	4	3	2	1	0	Register	7	6	5	4	3	2	1	0
Data	-	-	-	-	-	-	-	-	Data	-	-	-	-	-	-	-	-
Feature	-	-	-	-	-	-	-	-	Error	see below							
Sector Count	-	-	-	-	-	-	-	-	Sector Count	-	-	-	-	-	-	-	-
Sector Number	-	-	-	-	-	-	-	-	Sector Number	-	-	-	-	-	-	-	-
Cylinder Low	-	-	-	-	-	-	-	-	Cylinder Low	-	-	-	-	-	-	-	-
Cylinder High	-	-	-	-	-	-	-	-	Cylinder High	-	-	-	-	-	-	-	-
Device/Head	1	-	1	D	-	-	-	-	Device/Head	-	-	-	-	-	-	-	-
Command	1	1	1	0	0	1	1	1	Status	see below							

Error Register								Status Register							
7	6	5	4	3	2	1	0	7	6	5	4	3	2	1	0
CRC	UNC	0	IDN	0	ABT	T0N	AMN	BSY	RDY	DF	DSC	DRQ	COR	IDX	ERR
0	0	0	0	0	V	0	0	0	V	0	V	-	0	-	V

This command causes the device to complete writing data from its cache.

The device returns good status after data in the write cache is written to the disk media.

## 12.7 Flush Cache Ext (EAh)

Table 57: Flush Cache Ext Command (EAh)

Command Block Output Registers								Command Block Input Registers			
Register		7 6 5 4 3 2 1 0		Register		7 6 5 4 3 2 1 0					
Data Low		- - - - - - - -		Data Low		- - - - - - - -					
Data High		- - - - - - - -		Data High		- - - - - - - -					
Feature	Current	- - - - - - - -		Error		see below					
	Previous	- - - - - - - -									
Sector Count	Current	- - - - - - - -		Sector	HOB=0	- - - - - - - -					
	Previous	- - - - - - - -		Count	HOB=1	- - - - - - - -					
Sector Number	Current	- - - - - - - -		Sector	HOB=0	- - - - - - - -					
	Previous	- - - - - - - -		Number	HOB=1	- - - - - - - -					
Cylinder Low	Current	- - - - - - - -		Cylinder	HOB=0	- - - - - - - -					
	Previous	- - - - - - - -		Low	HOB=1	- - - - - - - -					
Cylinder High	Current	- - - - - - - -		Cylinder	HOB=0	- - - - - - - -					
	Previous	- - - - - - - -		High	HOB=1	- - - - - - - -					
Device/Head		- - - D - - - -		Device/Head		- - - - - - - -					
Command		1 1 1 0 1 0 1 0		Status		See below ...					

Error Register								Status Register							
7	6	5	4	3	2	1	0	7	6	5	4	3	2	1	0
CRC	UNC	0	IDN	0	ABT	T0N	AMN	BSY	RDY	DF	DSC	DRQ	COR	IDX	ERR
0	0	0	0	0	V	0	0	0	V	0	V	-	0	-	V

This command causes the device to complete writing data from its cache.

The device returns good status after data in the write cache is written to disk media.

## 12.8 Format Track (50h)

Table 58: Format Track command (50h)

Command Block Output Registers								Command Block Input Registers									
Register	7	6	5	4	3	2	1	0	Register	7	6	5	4	3	2	1	0
Data	-	-	-	-	-	-	-	-	Data	-	-	-	-	-	-	-	-
Feature	-	-	-	-	-	-	-	-	Error	see below							
Sector Count	-	-	-	-	-	-	-	-	Sector Count	-	-	-	-	-	-	-	-
Sector Number	V	V	V	V	V	V	V	V	Sector Number	V	V	V	V	V	V	V	V
Cylinder Low	V	V	V	V	V	V	V	V	Cylinder Low	V	V	V	V	V	V	V	V
Cylinder High	V	V	V	V	V	V	V	V	Cylinder High	V	V	V	V	V	V	V	V
Device/Head	1	L	1	D	H	H	H	H	Device/Head	-	-	-	-	H	H	H	H
Command	0	1	0	1	0	0	0	0	Status	see below							

Error Register								Status Register							
7	6	5	4	3	2	1	0	7	6	5	4	3	2	1	0
CRC	UNC	0	IDN	0	ABT	TON	AMN	BSY	RDY	DF	DSC	DRQ	COR	IDX	ERR
0	0	0	V	0	V	0	0	0	V	0	V	-	0	-	V

The Format Track command formats a single logical track on the device. Each good sector of data on the track will be initialized to zero with the write operation. At this time, the read operation does not verify the correct initialization of the data sector. Any data previously stored on the track will be lost.

The host may transfer a sector of data containing a format table to the device. But the device ignores the format table and writes zero to all sectors on the track regardless of the descriptors.

Since device performance is optimal at 1:1 interleave and the device uses relative block addressing internally, the device will always format a track in the same way no matter what sector numbering is specified in the format table.

### Output parameters to the device

**Sector Number** In LBA mode this register specifies that LBA address bits 0–7 are to be formatted. (L=1).

**Cylinder High/Low** This indicates the cylinder number of the track to be formatted. (L = 0)

In LBA mode this register specifies that LBA address bits 8–15 (Low) and bits 16–23 (High) are to be formatted. (L = 1)

**H** This indicates the head number of the track to be formatted (L = 0). In LBA mode this register specifies that LBA address bits 24–27 are to be formatted. (L = 1)

**Input parameters from the device**

- Sector Number** In LBA mode this register specifies the current LBA address bits as 0–7 (L = 1).
- Cylinder High/Low** In LBA mode this register specifies the current LBA address bits as 8–15 (Low) and bits 16–23 (High).
- H** In LBA mode this register specifies the current LBA address bits as 24–27 (L=1).
- Error** The Error Register. An Abort error (ABT=1) will be returned when LBA is out of range

In LBA mode this command formats a single logical track including the specified LBA.

## 12.9 Format Unit (F7h)

Table 59: Format Unit command (F7h)

Command Block Output Registers								Command Block Input Registers									
Register	7	6	5	4	3	2	1	0	Register	7	6	5	4	3	2	1	0
Data	-	-	-	-	-	-	-	-	Data	-	-	-	-	-	-	-	-
Feature	0	0	0	1	0	0	0	1	Error	see below							
Sector Count	-	-	-	-	-	-	-	-	Sector Count	-	-	-	-	-	-	-	-
Sector Number	-	-	-	-	-	-	-	-	Sector Number	-	-	-	-	-	-	-	-
Cylinder Low	-	-	-	-	-	-	-	-	Cylinder Low	-	-	-	-	-	-	-	-
Cylinder High	-	-	-	-	-	-	-	-	Cylinder High	-	-	-	-	-	-	-	-
Device/Head	1	L	1	D	-	-	-	-	Device/Head	-	-	-	-	-	-	-	-
Command	1	1	1	1	0	1	1	1	Status	see below							

Error Register								Status Register							
7	6	5	4	3	2	1	0	7	6	5	4	3	2	1	0
CRC	UNC	0	IDN	0	ABT	T0N	AMN	BSY	RDY	DF	DSC	DRQ	COR	IDX	ERR
0	V	0	V	0	V	0	0	0	V	0	V	0	0	-	V

The Format Unit command initializes all user data sectors after merging the reassigned sector location into the defect information of the device and clearing the reassign information. Both new reassign information and new defect information are available immediately after the completion of this command and are also used on the next power-on reset or hard reset. This command erases both previous information data from the device.

Note that the Format Unit command initializes from LBA 0 to Native MAX LBA regardless of the setting by the Initialize Device Parameter (91h) command or the Set Max Address (F9h) command, so that the protected area defined by these commands is also initialized.

The Security Erase Prepare (F3h) command should be completed immediately prior to the Format Unit command. If the device receives a Format Unit command without a prior Security Erase Prepare command, the device aborts the Format Unit command.

All values in Feature register are reserved and any values other than 11h should not be put into Feature register.

This command does not request a data transfer.

Command execution time depends on drive capacity.

To determine the command time-out value, refer to Word 89 of Identify Device data should be referred.

## 12.10 Identify Device (ECh)

Table 60: Identify Device command (ECh)

Command Block Output Registers								Command Block Input Registers									
Register	7	6	5	4	3	2	1	0	Register	7	6	5	4	3	2	1	0
Data	-	-	-	-	-	-	-	-	Data	-	-	-	-	-	-	-	-
Feature	-	-	-	-	-	-	-	-	Error	see below							
Sector Count	-	-	-	-	-	-	-	-	Sector Count	-	-	-	-	-	-	-	-
Sector Number	-	-	-	-	-	-	-	-	Sector Number	-	-	-	-	-	-	-	-
Cylinder Low	-	-	-	-	-	-	-	-	Cylinder Low	-	-	-	-	-	-	-	-
Cylinder High	-	-	-	-	-	-	-	-	Cylinder High	-	-	-	-	-	-	-	-
Device/Head	1	-	1	D	-	-	-	-	Device/Head	-	-	-	-	-	-	-	-
Command	1	1	1	0	1	1	0	0	Status	see below							

Error Register								Status Register							
7	6	5	4	3	2	1	0	7	6	5	4	3	2	1	0
CRC	UNC	0	IDN	0	ABT	TON	AMN	BSY	RDY	DF	DSC	DRQ	COR	IDX	ERR
0	0	0	0	0	V	0	0	0	V	0	-	-	0	-	V

The Identify Device command requests the device to transfer configuration information to the host. The device will transfer a sector to the host containing the information in Table 61 beginning on page 115.

An asterisk (\*) in next to the Content field indicates the use of those parameters that are vendor specific.

**Table 61: Identify device information (Part 1 of 7)**

Word	Content	Description
00	045AH or 045EH	Drive classification, bit assignments: 15 (=0): 1=ATAPI device, 0=ATA device 14 - 8 : retired 7 (=0): 1=removable cartridge device 6 (=1): 1=fixed device 5 - 3 : retired 2 (=0): Response incomplete 1 : retired 0 (=0): Reserved
01	xxxxH	Number of cylinders in default translate mode
02	37C8H	Specific Configuration 37C8H: Need Set Feature for spin-up after power-up Identify Device is incomplete 738CH: No Need Set Feature for spin-up after power-up Identify Device is complete 8C73H: No Need Set Feature for spin-up after power-up Identify Device is incomplete C837H: Need Set Feature for spin-up after power-up Identify Device is complete
03	00xxH	Number of heads in default translate mode
04	0	* Reserved
05	0	* Reserved
06	003FH	Number of sectors per track in default translate mode
07	0000H	* Number of bytes of sector gap
08	0000H	* Number of bytes in sync field
09	0000H	* Reserved
10-19	XXXX	Serial number in ASCII (0 = not specified)
20	0003H	* Controller type: 0003: dual ported, multiple sector buffer with look-ahead read
21	XXXXH	* Buffer size in 512-byte increments
22	0034H	* Number of ECC bytes (Vendor unique length selected via set feature cmd)
23-26	XXXX	Microcode version in ASCII
27-46	XXXX	Model number in ASCII
47	8010H	15-8 : 80h 7-0 : Maximum number of sectors that can be transferred per interrupt on Read and Write Multiple commands
48	0000H	Reserved
49	xF00H	Capabilities, bit assignments: 15-14 (=0) Reserved 13 Standby timer (=1) values as specified in ATA standard are supported (=0) values are vendor specific 12 (=0) Reserved 11 (=1) IORDY Supported 10 (=1) IORDY can be disabled 9 (=1) LBA supported 8 (=1) DMA supported * 7- 0 (=0) Reserved

**Table 62: Identify device information (Part 2 of 8)**

Word	Content	Description
50	4000H	Capabilities, bit assignments: 15-14(=01) word 50 is valid 13- 1 (=0) Reserved 0 Minimum value of Standby timer (=0) less than 5 minutes
51	0200H	PIO data transfer cycle timing mode
52	0200H *	DMA data transfer cycle timing mode Refer Word 62 and 63
53	0007H	Validity flag of the word 15- 3(=0) Reserved 2(=1) 1=Word 88 is Valid 1(=1) 1=Word 64-70 are Valid 0(=1) 1=Word 54-58 are Valid
54	xxxxH	Number of current cylinders
55	xxxxH	Number of current heads
56	xxxxH	Number of current sectors per track
57-58	xxxxH	Current capacity in sectors Word 57 specifies the low word of the capacity
59	0xxxH	Current Multiple setting. bit assignments 15- 9 (=0) Reserved 8 1= Multiple Sector Setting is Valid 7- 0 xxh = Current setting for number of sectors
60-61	xxxxH	Total Number of User Addressable Sectors Word 60 specifies the low word of the number FFFFFFFh=The 48-bit native max address is greater than 268,435,455
62	0000H	
63	xx07H	Multiword DMA Transfer Capability 15- 8 Multi word DMA transfer mode active 7- 0 (=7) Multi word DMA transfer modes supported (support mode 0,1 and 2)
64	0003H	Flow Control PIO Transfer Modes Supported 15-8(=0) Reserved 7-0 (=3) Advanced PIO Transfer Modes Supported '11' = PIO Mode 3 and 4 Supported
65	0078H	Minimum Multiword DMA Transfer Cycle Time Per Word 15-0(=78) Cycle time in nanoseconds (120ns, 16.6MB/s)
66	0078H	Manufacturer's Recommended Multiword DMA Transfer Cycle Time 15-0(=78) Cycle time in nanoseconds (120ns, 16.6MB/s)
67	00F0H	Minimum PIO Transfer Cycle Time Without Flow Control 15-0(=F0) Cycle time in nanoseconds (240ns, 8.3MB/s)
68	0078H	Minimum PIO Transfer Cycle Time With IORDY Flow Control 15- 0(=78) Cycle time in nanoseconds (120ns, 16.6MB/s)
69-74	0000H	Reserved
75	001FH	Queue depth 15-5(=0) Reserved 4-0(=1F) Maximum queued depth - 1



**Table 63: Identify device information (Part 3 of 8)**

Word	Content	Description
76	0106H	SATA capabilities 15-11(=0) Reserved 10(=0) Phy event counters 9(=1) Receipt of host-initiated interface power management requests 8(=1) Native Command Queuing supported 7-3(=0) Reserved 2(=1) SATA Gen-2 speed (3.0Gbps) supported 1(=1) SATA Gen-1 speed (1.5Gbps) supported 0(=0) Reserved
77	0000H	Reserved
78	0016H	SATA supported features 15-7(=0) Reserved 6(=1) Software setting preservation 5(=0) Reserved 4(=1) In-order data delivery 3(=1) Device initiated interface power management 2(=1) DMA Setup Auto-Activate optimization 1(=1) Non-zero buffer offset in DMA Setup FIS 0(=0) Reserved
79	0000H	SATA enabled features 15-7(=0) Reserved 6(=1) Software setting preservation 5(=0) Reserved 4(=0) In-order data delivery 3(=0) Device initiated interface power management 2(=0) DMA Setup Auto-Activate optimization 1(=0) Non-zero buffer offset in DMA Setup FIS 0(=0) Reserved
80	00FCH	Major version number 15-0(=FCh) ATA-2, ATA-3, ATA/ATAPI-4, ATA/ATAPI-5 and ATA/ATAPI-6 and ATA/ATAPI-7
81	001AH	Minor version number 15-0(=1Ah) ATA/ATAPI-7 T13 1532D revision 1

**Table 64: Identify device information (Part 4 of 8)**

Word	Content	Description
82	74EBH	Command 15 (=0) Reserved 14 (=1) NOP command 13 (=1) READ BUFFER command 12 (=1) WRITE BUFFER command 11 (=0) Reserved 10 (=1) Host Protected Area Feature Set 9 (=0) DEVICE RESET command 8 (=0) SERVICE interrupt 7 (=1) Release interrupt 6 (=1) LOOK AHEAD 5 (=1) WRITE CACHE 4 (=0) PACKET Command feature set 3 (=1) Power management feature set 2 (=0) Removable feature set 1 (=1) Security feature set 0 (=1) SMART feature Set

**Table 65: Identify device information (Part 5 of 8)**

Word	Content	Description
83	7FEBH	<p>Command set supported</p> <ul style="list-style-type: none"> <li>15-14(=01) Word 83 is valid</li> <li>13 (=1) FLUSH CACHE EXT command supported</li> <li>12 (=1) FLUSH CACHE command supported</li> <li>11 (=1) Device Configuration Overlay command supported</li> <li>10 (=1) 48-bit Address feature set supported</li> <li>9 (=1) Automatic Acoustic Management</li> <li>8 (=1) SET Max Security extension</li> <li>7 (=1) Set Features Address Offset feature mode</li> <li>6 (=1) SET FEATURES subcommand required to spin-up after power-up</li> <li>5 (=1) Power-Up In Standby feature set supported</li> <li>4 (=0) Removable Media Status Notification feature</li> <li>3 (=1) Advanced Power Management feature set</li> <li>2 (=0) CFA feature set</li> <li>1 (=0) READ/WRITE DMA QUEUED</li> <li>0 (=1) DOWNLOAD MICROCODE command</li> </ul>
84	4733H	<p>Command set/feature supported extension</p> <ul style="list-style-type: none"> <li>15-14(=01) Word 84 is valid</li> <li>13-11(= 0) Reserved</li> <li>10 (=1) URG bit supported for WRITE STREAM DMA and WRITE STREAM PIO</li> <li>9 (=1) URG bit supported for READ STREAM DMA and READ STREAM PIO</li> <li>8 (=1) World wide name supported</li> <li>7 (=0) WRITE DMA QUEUED FUA EXT command supported</li> <li>6 (=0) WRITE DMA FUA EXT and WRITE MULTIPLE FUA EXT commands supported</li> <li>5 (=1) General Purpose Logging feature set supported</li> <li>4 (=1) Streaming feature set supported</li> <li>3 (=0) Media Card Pass Through Command feature set supported</li> <li>2 (=0) Media serial number supported</li> <li>1 (=1) SMART self-test supported</li> <li>0 (=1) SMART error logging supported</li> </ul>
85	xxxxH	<p>Command set/feature enabled</p> <ul style="list-style-type: none"> <li>15 Reserved</li> <li>14 NOP command</li> <li>13 READ BUFFER command</li> <li>12 WRITE BUFFER command</li> <li>11 Reserved</li> <li>10 Host Protected Area feature set</li> <li>9 DEVICE RESET command</li> <li>8 SERVICE interrupt</li> <li>7 RELEASE interrupt</li> <li>6 LOOK AHEAD</li> <li>5 WRITE CACHE</li> <li>4 PACKET Command feature set</li> <li>3 Power management feature set</li> <li>2 Removable media feature set</li> <li>1 Security feature set</li> <li>0 SMART feature set</li> </ul>

**Table 66: Identify device information (Part 6 of 8)**

Word	Content	Description
86	xxxxH	<p>Command set/feature enabled</p> <ul style="list-style-type: none"> <li>15-14 Reserved</li> <li>13 FLUSH CACHE EXT command supported</li> <li>12 FLUSH CACHE command supported</li> <li>11 Device Configuration Overlay command enabled</li> <li>10 48-bit Address features set supported</li> <li>9 Automatic Acoustic Management enabled</li> <li>8 Set Max Security extensions enabled</li> <li>7 Set Features Address Offset mode</li> <li>6 Set Features subcommand required to spin-up after power-up</li> <li>5 Power-Up In Standby feature set enabled</li> <li>4 Removable Media Status Notification feature</li> <li>3 Advanced Power Management Feature set</li> <li>2 CFA Feature set</li> <li>1 READ/WRITE DMA QUEUED</li> <li>0 DOWNLOAD MICROCODE command</li> </ul>
87	4723H or 4733H	<p>Command set/feature default</p> <ul style="list-style-type: none"> <li>15-14(=01) Word 87 is valid</li> <li>13-11(= 0) Reserved</li> <li>10 (=1) URG bit supported for WRITE STREAM DMA and WRITE STREAM PIO</li> <li>9 (=1) URG bit supported for READ STREAM DMA and READ STREAM PIO</li> <li>8 (=1) World wide name supported</li> <li>7 (=0) WRITE DMA QUEUED FUA EXT command supported</li> <li>6 (=0) WRITE DMA FUA EXT and WRITE MULTIPLE FUA EXT commands supported</li> <li>5 (=1) General Purpose Logging feature set supported</li> <li>4 (=x) Valid CONFIGURE STREAM command has been executed</li> <li>3 (=0) Media Card Pass Through Command feature set enabled</li> <li>2 (=0) Media serial number is valid</li> <li>1 (=1) SMART self-test supported</li> <li>0 (=1) SMART error logging supported</li> </ul>

**Table 67: Identify device information (Part 7 of 8)**

Word	Content	Description
88	0x7FH	<p>Ultra DMA Transfer modes</p> <p>15- 8(=xx) Current active Ultra DMA transfer mode</p> <p>15 Reserved (=0)</p> <p>14 Mode 6 1 = Active 0 = Not Active</p> <p>13 Mode 5 1 = Active 0 = Not Active</p> <p>12 Mode 4 1 = Active 0 = Not Active</p> <p>11 Mode 3 1 = Active 0 = Not Active</p> <p>10 Mode 2 1 = Active 0 = Not Active</p> <p>9 Mode 1 1 = Active 0 = Not Active</p> <p>8 Mode 0 1 = Active 0 = Not Active</p> <p>7- 0(=7F) Ultra DMA transfer mode supported</p> <p>7 Reserved (=0)</p> <p>6 Mode 6 1 = Support</p> <p>5 Mode 5 1 = Support</p> <p>4 Mode 4 1 = Support</p> <p>3 Mode 3 1 = Support</p> <p>2 Mode 2 1 = Support</p> <p>1 Mode 1 1 = Support</p> <p>0 Mode 0 1 = Support</p>
89	xxxxH	Time required for security erase unit completion Time= value(xxxxh)*2 [minutes]
90	0000H	Time required for Enhanced security erase completion
91	0000H	Current Advanced power management value
92	FFFEH	Current Password Revision Code
93	xxxxH	<p>Hardware reset result. Bit assignments</p> <p>15-14(=01) Word 93 is valid</p> <p>13 CBLID-status. 1=Above Vih 0=Below Vil</p> <p>12-8 Dev 1 H/W reset result.</p> <p>12 Reserved</p> <p>11 PDIAG-assertion. 1=assert 0=not assert</p> <p>10-9 How to determine the device number: 00=Reserved. 01=Jumper. 10=the CSEL signal. 11=some other method.</p> <p>8 Shall be set to one if Dev 1.</p> <p>7-0 Device 0 H/W reset result</p> <p>7 Reserved</p> <p>6 Respond for Dev 1. 1=resp. 0=not resp.</p> <p>5 DASP- detection. 1=detect 0=not detect</p> <p>4 PDIAG- detection. 1=detect 0=not detect</p> <p>3 Device diag. 1=pass 0=fail</p> <p>2-1 How to determine the device number 00=Reserved. 01=Jumper. 10=CSEL signal. 11=Some other method.</p> <p>0 Shall be set to one if Dev 0.</p>

**Table 68: Identify device information (Part 7 of 8)**

An asterisk (\*) in next to the Content field indicates the use of those parameters that are vendor specific.

Word	Content	Description
94	xxxxH	Current Automatic Acoustic Management value 15-8 Vendor's Recommended Acoustic Management level 7-0 Current Automatic Acoustic Management value Stream Minimum Request Size
95	xxxxH	Number of sectors that provides optimum performance in streaming environment. This number shall be a power of two, with a minimum of eight sectors (4096 bytes). The starting LBA value for each streaming command should be evenly divisible by this request size.
96	xxxxH	Streaming Transfer Time - DMA The worst-case sustainable transfer time per sector for the device is calculated as follows: Streaming Transfer Time = (word 96) * (words(99:98) / 65536) If the Streaming Feature set is not supported by the device, the content of word 96 shall be zero.
97	xxxxH	Streaming Access Latency - DMA and PIO The worst-case access latency of the device for a streaming command is calculated as follows: Access Latency = (word 97) * (words(99:98) / 256) If the Streaming Feature set is not supported by the device, the content of word 97 shall be zero.
98-99	xxxxH	Streaming Performance Granularity These words define the fixed unit of time that is used in Identify Device words (97:96) and (104), and Set Features subcommand 43h, and in the Streaming Performance Parameters log, which is accessed by use of the Read Log Ext command, and in the Command Completion Time Limit that is passed in streaming commands. The unit of time for this parameter shall be in microseconds, e.g. ad value of 10000 indicates 10 ms.
100-103	xxxxH	Maximum user LBA address for 48-bit Address feature set Streaming Transfer Time - PIO The worst-case sustainable transfer time per sector for the device is calculated as follows:
104	xxxxH	Streaming Transfer Time = (word 104) * (words(99:98) / 65536) If the Streaming Feature set is not supported by the device, the content of word 104 shall be zero.
105-106	0000H	Reserved
107	58C5H	Inter-seek delay for ISO-7779 acoustic testing in microseconds
108-111	xxxxH	World wide name the optional value of the world wide name for the device
112-126	0000H	Reserved
127	0000H	Removable Media Status Notification feature set 0000H=Not supported

**Table 69: Identify device information (Part 8 of 8)**

Word	Content	Description
128	xxxxH	Security status. Bit assignments 15-9 Reserved 8 Security Level 1= Maximum, 0= High 7-6 Reserved 5 Enhanced erase 1= Support 4 Expired 1= Expired 3 Freeze 1= Frozen 2 Lock 1= Locked 1 Enabled/Disable 1= Enable 0 Capability 1= Support
129	xxxxH *	Current Set Feature Option. Bit assignments 15-4 Reserved 3 Auto reassign enabled 1= Enable 2 Reverting enabled 1= Enable 1 Read Look-ahead enabled 1= Enable 0 Write Cache enabled 1= Enable
130-159	xxxxH *	Reserved
160-254	0000H	Reserved
255	xxA5H	15-8 Checksum. This value is the two's complement of the sum of all bytes in byte 0 through 510 7-0 (A5) Signature

## 12.11 Idle (E3h/97h)

Table 70: Idle command (E3h/97h)

Command Block Output Registers								Command Block Input Registers									
Register	7	6	5	4	3	2	1	0	Register	7	6	5	4	3	2	1	0
Data	-	-	-	-	-	-	-	-	Data	-	-	-	-	-	-	-	-
Feature	-	-	-	-	-	-	-	-	Error	see below							
Sector Count	V	V	V	V	V	V	V	V	Sector Count	-	-	-	-	-	-	-	-
Sector Number	-	-	-	-	-	-	-	-	Sector Number	-	-	-	-	-	-	-	-
Cylinder Low	-	-	-	-	-	-	-	-	Cylinder Low	-	-	-	-	-	-	-	-
Cylinder High	-	-	-	-	-	-	-	-	Cylinder High	-	-	-	-	-	-	-	-
Device/Head	1	-	1	D	-	-	-	-	Device/Head	-	-	-	-	-	-	-	-
Command	1	1	1	0	0	0	1	1	Status	see below							

Error Register								Status Register							
7	6	5	4	3	2	1	0	7	6	5	4	3	2	1	0
CRC	UNC	0	IDN	0	ABT	T0N	AMN	BSY	RDY	DF	DSC	DRQ	COR	IDX	ERR
0	0	0	0	0	V	0	0	0	V	0	V	-	0	-	V

The Idle command causes the device to enter Idle mode immediately and to set the auto power down time-out parameter (standby timer). And the timer then starts counting down.

When the Idle mode is entered, the device is spun up to operating speed. If the device is already spinning, the spin up sequence is not executed.

During Idle mode the device is spinning and is ready to respond to host commands immediately.

### Output parameters to the device

**Sector Count** Time-out Parameter. If it is zero, the automatic power down sequence is disabled. If it is nonzero, the automatic power down sequence is enabled. The time-out interval is shown below:

Value	Time-out
0	Timer disabled
1-240	Value x 5
241-251	(Value-240) x 30 minutes
252	21 minutes
253	8 hours
254	21 minutes 10 seconds
255	21 minutes 15 seconds

When the automatic power down sequence is enabled, the drive will enter Standby mode automatically if the time-out interval expires with no drive access from the host. The time-out interval will be reinitialized if there is a drive access before the time-out interval expires



## 12.12 Idle Immediate (E1h/95h)

Table 71: Idle Immediate command (E1h/95h)

Command Block Output Registers								Command Block Input Registers									
Register	7	6	5	4	3	2	1	0	Register	7	6	5	4	3	2	1	0
Data	-	-	-	-	-	-	-	-	Data	-	-	-	-	-	-	-	-
Feature	-	-	-	-	-	-	-	-	Error	see below							
Sector Count	-	-	-	-	-	-	-	-	Sector Count	-	-	-	-	-	-	-	-
Sector Number	-	-	-	-	-	-	-	-	Sector Number	-	-	-	-	-	-	-	-
Cylinder Low	-	-	-	-	-	-	-	-	Cylinder Low	-	-	-	-	-	-	-	-
Cylinder High	-	-	-	-	-	-	-	-	Cylinder High	-	-	-	-	-	-	-	-
Device/Head	1	-	1	D	-	-	-	-	Device/Head	-	-	-	-	-	-	-	-
Command	1	1	1	0	0	0	0	1	Status	see below							

Error Register								Status Register							
7	6	5	4	3	2	1	0	7	6	5	4	3	2	1	0
CRC	UNC	0	IDN	0	ABT	T0N	AMN	BSY	RDY	DF	DSC	DRQ	COR	IDX	ERR
0	0	0	0	0	V	0	0	0	V	0	V	-	0	-	V

The Idle Immediate command causes the device to enter Performance Idle mode.

The device is spun up to operating speed. If the device is already spinning, the spin up sequence is not executed.

During Idle mode the device is spinning and ready to respond to the host commands immediately.

The Idle Immediate command will not affect the auto power down time-out parameter.

## 12.13 Initialize Device Parameters (91h)

Table 72: Initialize Device Parameters command (91h)

Command Block Output Registers								Command Block Input Registers									
Register	7	6	5	4	3	2	1	0	Register	7	6	5	4	3	2	1	0
Data	-	-	-	-	-	-	-	-	Data	-	-	-	-	-	-	-	-
Feature	-	-	-	-	-	-	-	-	Error	-	-	-	-	-	-	-	-
Sector Count	V	V	V	V	V	V	V	V	Sector Count	-	-	-	-	-	-	-	-
Sector Number	-	-	-	-	-	-	-	-	Sector Number	-	-	-	-	-	-	-	-
Cylinder Low	-	-	-	-	-	-	-	-	Cylinder Low	-	-	-	-	-	-	-	-
Cylinder High	-	-	-	-	-	-	-	-	Cylinder High	-	-	-	-	-	-	-	-
Device/Head	1	-	1	D	H	H	H	H	Device/Head	-	-	-	-	-	-	-	-
Command	1	0	0	1	0	0	0	1	Status	see below							

Error Register								Status Register							
7	6	5	4	3	2	1	0	7	6	5	4	3	2	1	0
CRC	UNC	0	IDN	0	ABT	T0N	AMN	BSY	RDY	DF	DSC	DRQ	COR	IDX	ERR
0	0	0	0	0	V	0	0	0	V	0	-	-	0	-	V

The Initialize Device Parameters command enables the host to set the number of sectors per track and the number of heads minus 1, per cylinder. Words 54–58 in Identify Device Information reflect these parameters.

The parameters remain in effect until the following events occur:

- Another Initialize Device Parameters command is received
- The device is powered off
- A soft reset/hard reset has occurred
- The Set Feature option of CCh instead of 66h is set.

### Output parameters to the device

**Sector Count** This indicates the number of sectors per track. Zero (0) means that there are no sectors rather than 256 sectors per track.

**H** This indicates the number of heads minus 1 per cylinder. The minimum is 0 and the maximum is 15.

The following condition needs to be met to avoid invalid number of cylinders beyond FFFFh:

$$(\text{Total number of user addressable sectors}) / ((\text{sector count}) \times (\text{H} + 1)) = < \text{FFFFh}$$

The total number of user addressable sectors is described in Identify Device command.

## 12.14 Read Buffer (E4h)

Table 73: Read Buffer (E4h)

Command Block Output Registers								Command Block Input Registers									
Register	7	6	5	4	3	2	1	0	Register	7	6	5	4	3	2	1	0
Data	-	-	-	-	-	-	-	-	Data	-	-	-	-	-	-	-	-
Feature	-	-	-	-	-	-	-	-	Error	see below							
Sector Count	V	V	V	V	V	V	V	V	Sector Count	-	-	-	-	-	-	-	-
Sector Number	-	-	-	-	-	-	-	-	Sector Number	-	-	-	-	-	-	-	-
Cylinder Low	-	-	-	-	-	-	-	-	Cylinder Low	-	-	-	-	-	-	-	-
Cylinder High	-	-	-	-	-	-	-	-	Cylinder High	-	-	-	-	-	-	-	-
Device/Head	1	-	1	D	-	-	-	-	Device/Head	-	-	-	-	-	-	-	-
Command	1	1	1	0	0	1	0	0	Status	see below							

Error Register								Status Register							
7	6	5	4	3	2	1	0	7	6	5	4	3	2	1	0
CRC	UNC	0	IDN	0	ABT	T0N	AMN	BSY	RDY	DF	DSC	DRQ	COR	IDX	ERR
0	0	0	0	0	V	0	0	0	V	0	-	-	0	-	V

The Read Buffer command transfers a sector of data from the sector buffer of the device to the host.

The sector is transferred through the Data Register 16 bits at a time.

The sector transferred will be from the same part of the buffer written to by the last Write Buffer command. The contents of the sector may be different if any reads or writes have occurred since the Write Buffer command was issued.

## 12.15 Read DMA (C8h/C9h)

Table 74: Read DMA command (C8h/C9h)

Command Block Output Registers								Command Block Input Registers									
Register	7	6	5	4	3	2	1	0	Register	7	6	5	4	3	2	1	0
Data	-	-	-	-	-	-	-	-	Data	-	-	-	-	-	-	-	-
Feature	-	-	-	-	-	-	-	-	Error	see below							
Sector Count	V	V	V	V	V	V	V	V	Sector Count	V	V	V	V	V	V	V	V
Sector Number	V	V	V	V	V	V	V	V	Sector Number	V	V	V	V	V	V	V	V
Cylinder Low	V	V	V	V	V	V	V	V	Cylinder Low	V	V	V	V	V	V	V	V
Cylinder High	V	V	V	V	V	V	V	V	Cylinder High	V	V	V	V	V	V	V	V
Device/Head	1	L	1	D	H	H	H	H	Device/Head	-	-	-	-	H	H	H	H
Command	1	1	0	0	1	0	0	R	Status	see below							

Error Register								Status Register							
7	6	5	4	3	2	1	0	7	6	5	4	3	2	1	0
CRC	UNC	0	IDN	0	ABT	T0N	AMN	BSY	RDY	DF	DSC	DRQ	COR	IDX	ERR
V	V	0	V	0	V	0	0	0	V	0	V	-	0	-	V

The Read DMA command reads one or more sectors of data from disk media and then transfers the data from the device to the host. It transfers the sectors through the Data Register 16 bits at a time.

The host initializes a slave-DMA channel prior to issuing the command. The data transfers are qualified by the DMARQ and are performed by the slave-DMA channel. The device issues only one interrupt per command to indicate that the data transfer has terminated and that status is available.

If an uncorrectable error occurs, the read will be terminated at the failing sector.

### Output parameters to the device

- Sector Count** This indicates the number of continuous sectors to be transferred. If zero is specified, 256 sectors will be transferred.
- Sector Number** This indicates the sector number of the first sector to be transferred. (L = 0).  
In LBA mode, this register specifies the transfer of LBA address bits 0–7. (L = 1)
- Cylinder High/Low** This indicates the cylinder number of the first sector to be transferred. (L = 0).  
In LBA mode, this register specifies the transfer of LBA address bits 8–15 (Low) and 16–23 (High). (L = 1)
- H** This indicates the head number of the first sector to be transferred. (L = 0).  
In LBA mode this register specifies that LBA bits 24–27 is to be transferred. (L = 1)
- R** This indicates the retry bit. This bit is ignored.

### Input parameters from the device

- Sector Count** This indicates the number of requested sectors not transferred. This will be zero, unless an unrecoverable error occurs.

- Sector Number** This indicates the sector number of the last transferred sector. (L = 0).  
In LBA mode this register contains the current LBA bits 0–7. (L = 1)
- Cylinder High/Low** This indicates the cylinder number of the last transferred sector. (L = 0).  
In LBA mode this register contains the current LBA bits 8–15 (Low) and bits 16–23 (High). (L=1)
- H** This indicates the head number of the sector to be transferred. (L = 0)  
In LBA mode this register contains the current LBA bits 24–27. (L = 1)

## 12.16 Read DMA Ext (25h)

Table 75: Read DMA Ext Command (25h)

Command Block Output Registers								Command Block Input Registers															
Register				7	6	5	4	3	2	1	0	Register				7	6	5	4	3	2	1	0
Data Low				-	-	-	-	-	-	-	-	Data Low				-	-	-	-	-	-	-	-
Data High				-	-	-	-	-	-	-	-	Data High				-	-	-	-	-	-	-	-
Feature	Current			-	-	-	-	-	-	-	-	Error				see below							
	Previous			-	-	-	-	-	-	-	-												
Sector Count	Current			V	V	V	V	V	V	V	V	Sector Count	HOB=0			-	-	-	-	-	-	-	-
	Previous			V	V	V	V	V	V	V	V		HOB=1			-	-	-	-	-	-	-	-
Sector Number	Current			V	V	V	V	V	V	V	V	Sector Number	HOB=0			V	V	V	V	V	V	V	V
	Previous			V	V	V	V	V	V	V	V		HOB=1			V	V	V	V	V	V	V	V
Cylinder Low	Current			V	V	V	V	V	V	V	V	Cylinder Low	HOB=0			V	V	V	V	V	V	V	V
	Previous			V	V	V	V	V	V	V	V		HOB=1			V	V	V	V	V	V	V	V
Cylinder High	Current			V	V	V	V	V	V	V	V	Cylinder High	HOB=0			V	V	V	V	V	V	V	V
	Previous			V	V	V	V	V	V	V	V		HOB=1			V	V	V	V	V	V	V	V
Device/Head				1	1	1	0	-	-	-	-	Device/Head				-	-	-	-	-	-	-	-
Command				0	0	1	0	0	1	0	1	Status				See below ...							

Error Register								Status Register							
7	6	5	4	3	2	1	0	7	6	5	4	3	2	1	0
CRC	UNC	0	IDN	0	ABT	T0N	AMN	BSY	RDY	DF	DSC	DRQ	COR	IDX	ERR
V	Vs	0	V	0	V	0	0	0	V	0	V	-	0	-	V

The Read DMA command reads one or more sectors of data from disk media, then transfers the data from the device to the host.

The sectors are transferred through the Data Register 16 bits at a time.

The host initializes a slave-DMA channel prior to issuing the command. The data transfers are qualified by DMARQ and are performed by the slave-DMA channel. The device issues only one interrupt per command to indicate that data transfer has terminated and status is available.

If an uncorrectable error occurs, the read will be terminated at the failing sector.

### Output parameters to the device

<b>Sector Count Current</b>	The number of sectors to be transferred low order, bits (7:0).
<b>Sector Count Previous</b>	The number of sectors to be transferred high order, bits (15:8). If 0000h in the Sector Count register is specified, then 65,536 sectors will be transferred.
<b>Sector Number Current</b>	LBA (7:0)
<b>Sector Number Previous</b>	LBA (31:24)
<b>Cylinder Low Current</b>	LBA (15:8)
<b>Cylinder Low Previous</b>	LBA (39:32)

**Cylinder High Current** LBA (23:16)

**Cylinder High Previous** LBA (47:40)

**Input parameters from the device**

**Sector Number (HOB=0)** LBA (7:0) of the address of the first unrecoverable error.

**Sector Number (HOB=1)** LBA (31:24) of the address of the first unrecoverable error.

**Cylinder Low (HOB=0)** LBA (15:8) of the address of the first unrecoverable error.

**Cylinder Low (HOB=1)** LBA (39:32) of the address of the first unrecoverable error.

**Cylinder High (HOB=0)** LBA (23:16) of the address of the first unrecoverable error.

**Cylinder High (HOB=1)** LBA (47:40) of the address of the first unrecoverable error.

## 12.17 Read FPDMA Queued (60h)

Command Block Output Registers								Command Block Input Registers											
Register		7	6	5	4	3	2	1	0	Register		7	6	5	4	3	2	1	0
Data Low		-	-	-	-	-	-	-	-	Data Low		-	-	-	-	-	-	-	-
Data High		-	-	-	-	-	-	-	-	Data High		-	-	-	-	-	-	-	-
Feature	Current	-	-	-	-	-	-	-	-	Error		see below							
	Previous	-	-	-	-	-	-	-	-										
Sector Count	Current	V	V	V	V	V	V	V	V	Sector Count	HOB=0	-	-	-	-	-	-	-	-
	Previous	V	V	V	V	V	V	V	V		HOB=1	-	-	-	-	-	-	-	-
Sector Number	Current	V	V	V	V	V	V	V	V	Sector Number	HOB=0	V	V	V	V	V	V	V	V
	Previous	V	V	V	V	V	V	V	V		HOB=1	V	V	V	V	V	V	V	V
Cylinder Low	Current	V	V	V	V	V	V	V	V	Cylinder Low	HOB=0	V	V	V	V	V	V	V	V
	Previous	V	V	V	V	V	V	V	V		HOB=1	V	V	V	V	V	V	V	V
Cylinder High	Current	V	V	V	V	V	V	V	V	Cylinder High	HOB=0	V	V	V	V	V	V	V	V
	Previous	V	V	V	V	V	V	V	V		HOB=1	V	V	V	V	V	V	V	V
Device/Head		V	1	0	0	-	-	-	-	Device/Head		-	-	-	-	-	-	-	-
Command		0	1	1	0	0	0	0	0	Status		See below ...							

Error Register								Status Register							
7	6	5	4	3	2	1	0	7	6	5	4	3	2	1	0
CRC	UNC	0	IDN	0	ABT	T0N	AMN	BSY	RDY	DF	DSC	DRQ	COR	IDX	ERR
V	Vs	0	V	0	V	0	0	0	V	0	V	-	0	-	V

The Read FPDMA command reads one or more sectors of data from disk media, and then transfers the data from the device to the host.

If an uncorrectable error occurs, the read will be terminated at the failing sector.

### Output Parameters To The Device

**Feature Current** The number of sectors to be transferred low order, bits (7:0).

**Feature Previous** The number of sectors to be transferred high order, bits (15:8).

**Sector Count Current** .

**TAG (bits 7-3)** The TAG value shall be assigned to be different from all other queued commands. The value shall not exceed the maximum queue depth specified by the Word 75 of the Identify Device information.

**Sector Number Current** LBA (7:0)

**Sector Number Previous** LBA (31:24)

**Cylinder Low Current** LBA (15:8)



**Cylinder Low Previous**      LBA (39:32)

**Cylinder High Current**      LBA (23:16)

**Cylinder High Previous**      LBA (47:40)

**Device/Head**

**FUA (bit 7)**                      When the FUA bit is set to 1, the requested data is always retrieved from the media regardless of whether the data are held in the sector buffer or not.

When the FUA bit is set to 0, the data may be retrieved from the media or from the cached data left by previously processed Read or Write commands.

**Input Parameters From The Device**

**Sector Number (HOB=0)**      LBA (7:0) of the address of the first unrecoverable error.

**Sector Number (HOB=1)**      LBA (31:24)of the address of the first unrecoverable error.

**Cylinder Low (HOB=0)**      LBA (15:8)of the address of the first unrecoverable error.

**Cylinder Low (HOB=1)**      LBA (39:32)of the address of the first unrecoverable error.

**Cylinder High (HOB=0)**      LBA (23:16)of the address of the first unrecoverable error.

**Cylinder High (HOB=1)**      LBA (47:40)of the address of the first unrecoverable error.

## 12.18 Read Log Ext (2Fh)

Table 76: Read Log Ext Command (2Fh)

Command Block Output Registers								Command Block Input Registers															
Register				7	6	5	4	3	2	1	0	Register				7	6	5	4	3	2	1	0
Data Low				-	-	-	-	-	-	-	-	Data Low				-	-	-	-	-	-	-	-
Data High				-	-	-	-	-	-	-	-	Data High				-	-	-	-	-	-	-	-
Feature	Current			-	-	-	-	-	-	-	-	Error				see below							
	Previous			-	-	-	-	-	-	-	-												
Sector Count	Current			V	V	V	V	V	V	V	V	Sector Count	HOB=0			-	-	-	-	-	-	-	
	Previous			V	V	V	V	V	V	V	V		HOB=1			-	-	-	-	-	-		
Sector Number	Current			V	V	V	V	V	V	V	V	Sector Number	HOB=0			-	-	-	-	-	-	-	
	Previous			-	-	-	-	-	-	-	-		HOB=1			-	-	-	-	-	-		
Cylinder Low	Current			V	V	V	V	V	V	V	V	Cylinder Low	HOB=0			-	-	-	-	-	-	-	
	Previous			V	V	V	V	V	V	V	V		HOB=1			-	-	-	-	-	-		
Cylinder High	Current			-	-	-	-	-	-	-	-	Cylinder High	HOB=0			-	-	-	-	-	-	-	
	Previous			-	-	-	-	-	-	-	-		HOB=1			-	-	-	-	-	-		
Device/Head				1	-	1	0	-	-	-	-	Device/Head				-	-	-	-	-	-	-	-
Command				0	0	1	0	1	1	1	1	Status				See below ...							

Error Register								Status Register							
7	6	5	4	3	2	1	0	7	6	5	4	3	2	1	0
CRC	UNC	0	IDN	0	ABT	T0N	AMN	BSY	RDY	DF	DSC	DRQ	COR	IDX	ERR
0	V	0	V	0	V	0	0	0	V	0	V	-	0	-	V

This command returns the specified log to the host. The device shall interrupt for each DRQ block transferred.

### Output parameters to the device

- Sector Count Current**      The number of sectors to be read from the specified log low order, bits (7:0). The log transferred by the drive shall start at the sector in the specified log at the specified offset, regardless of the sector count requested.
- Sector Number Previous**      The number of sectors to be read from the specified log high orders, bits (15:8).
- Sector Number Current**      The log to be returned as described in the figure below.
- Cylinder Low Current**      The first sector of the log to be read low order, bits (7:0).
- Cylinder Low Previous**      The first sector of the log to be read high order, bits (15:8).

**Table 77: Log Address Definition**

Log Address	Content	Feature set	Type
00h	Log directory	N/A	Read Only
03h	Extended Comprehensive SMART error log	SMART error logging	Ready Only
06h	SMART self-test log	SMART self-test	See Note
07h	Extended SMART self-test log	SMART self-test	Read Only
20h	Streaming Performance log	Streaming	Read Only
21h	Write Stream Error log	Streaming	Read Only
22h	Read Stream Error log	Streaming	Read Only
80h-9Fh	Host vendor specific	SMART	Read/Write

*Note:* If log address 06h is accessed using the Read Log Ext or Write Log Ext commands, command abort shall be returned.

The Extended SMART self-test log sector shall support 48-bit and 28-bit addressing. All 28-bit entries contained in the SMART self-test log sector shall also be included in the Comprehensive SMART self-test log sector with the 48-bit entries.

If the feature set associated with the log specified in the Sector Number register is not supported or enabled, or if the values in the Sector Count, Sector Number or Cylinder Low registers are invalid, the device shall return command aborted.

## 12.18.1 General Purpose Log Directory

The figure below defines the 512 bytes that make up the General Purpose Log Directory.

**Table 78: General Purpose Log Directory**

Description	Bytes	Offset
General purpose logging version	2	00h
Number of sectors in the log at log address 01h (7:0)	1	02h
Number of sectors in the log at log address 01h (15:8)	1	03h
Number of sectors in the log at log address 01h (7:0)	1	04h
Number of sectors in the log at log address 01h (15:8)	1	05h
...		
Number of sectors in the log at log address 20h (7:0)	1	40h
Number of sectors in the log at log address 20h (7:0)	1	41h
Number of sectors in the log at log address 21h (7:0)	1	42h
Number of sectors in the log at log address 22h (7:0)	1	44h
Number of sectors in the log at log address 22h (15:8)	1	45h
Number of sectors in the log at address 80h (7:0)	1	100h
Number of sectors in the log at address 80h (15:8)	1	101h
Number of sectors in the log at address FFh (7:0)	1	1FEh
Number of sectors in the log at address FFh (15:8)	1	1FFh
	512	

The value of the General Purpose Logging Version word shall be 0001h. A value of 0000h indicates that there is no General Purpose Log Directory.

The logs at log addresses 80-9Fh shall each be defined as 16 sectors long.

## 12.18.2 Extended Comprehensive SMART Error Log

The figure below defines the format of each of the sectors that comprise the Extended Comprehensive SMART error log. Error log data structure shall not include errors attributed to the receipt of faulty commands such as command codes not implemented by the device or requests with invalid parameters or in valid addresses.

**Table 79: Extended Comprehensive SMART Error Log**

Description	Bytes	Offset
Smart error log version	1	00h
Reserved	1	01h
Error log index (7:0)	1	02h
Error log index (15:8)	1	03h
1st error log data structure	124	04h
2nd error log data structure	124	80h
3rd error log data structure	124	FCh
4th error log data structure	124	178h
Device error count	2	1F4h
Reserved	9	1F6h
Data structure checksum	1	1FFh
	512	

### 12.18.2.1 Error log version

The value of this version shall be 01h.

### 12.18.2.2 Error log index

This indicates the error log data structure representing the most recent error. If there have been no error log entries, it is cleared to 0. Valid values for the error log index are 0 to 4.

### 12.18.2.3 Extended Error log data structure

An error log data structure shall be presented for each of the last four errors reported by the device. These error log data structure entries are viewed as a circular buffer. The fifth error shall create an error log structure that replaces the first error log data structure. The next error after that shall create an error log data structure that replaces the second error log structure, etc.

Unused error log data structures shall be filled with zeros.

#### 12.18.2.3.1 Data format of extended error log data structure

**Table 80: Extended Error log data structure**

Description	Bytes	Offset
1st error log data structure	18	00h
2nd error log data structure	18	12h
3rd error log data structure	18	24h
4th error log data structure	18	36h
5th error log data structure	18	48h
Error data structure	34	5Ah
	124	

### 12.18.2.3.2 Data format of command data structure

**Table 81: Command data structure**

Description	Bytes	Offset
Device Control register	1	00h
Features register (7:0) (see Note)	1	01h
Features register (15:8)	1	02h
Sector count register(7:0)	1	03h
Sector count register(15:8)	1	04h
Sector number register(7:0)	1	05h
Sector number register(15:8)	1	06h
Cylinder Low register (7:0)	1	07h
Cylinder Low register (15:8)	1	08h
Cylinder High register (7:0)	1	09h
Cylinder High register (15:8)	1	0Ah
Device/Head register	1	0Bh
Command register	1	0Ch
Reserved	1	0Dh
Timestamp (milliseconds from Power-on)	4	0Eh
	18	

*Note:* bits (7:0) refer to the most recently written contents of the register. Bits (15:8) refer to the contents of the register prior to the most recent write to the register

### 12.18.2.3.3 Data format of error data structure

**Table 82: Error data structure**

Description	Bytes	Offset
Reserved	1	00h
Error register (7:0)	1	01h
Sector count register(7:0)(See Note)	1	02h
Sector count register(15:8)(See Note)	1	03h
Sector number register(7:0)	1	04h
Sector number register(15:8)	1	05h
Cylinder Low register (7:0)	1	06h
Cylinder Low register (15:8)	1	07h
Cylinder High register (7:0)	1	08h
Cylinder High register (15:8)	1	09h
Device/Head register	1	0Ah
Status register	1	0Bh
Extended error data (vendor specific)	19	0Ch
State	1	1Fh
Life stamp (hours)	2	20h
	34	

Note: bits (7:0) refer to the contents if the register is read with bit 7 of the Device Control register cleared to zero. Bits (15:8) refer to the contents if the register is read with bit 7 of the Device Control register set to one.

State shall contain a value indicating the state of the device when the command was issued to the device or the reset occurred as described below.

Value	State
x0h	Unknown
x1h	Sleep
x2h	Standby
x3h	Active/Idle
x4h	SMART Off-line or Self-test
x5h-xAh	Reserved
xBh-xFh	Vendor specific

### 12.18.2.4 Device error count

This field shall contain the total number of errors attributable to the device that have been reported by the device during the life of the device. This count shall not include errors attributed to the receipt of faulty commands such as commands codes not implemented by the device or requests with invalid parameters or invalid addresses. If the maximum value for this field is reached the count shall remain at the maximum value when additional errors are encountered and logged.

### 12.18.3 Extended Self-test log sector

The figure below defines the format of each of the sectors that comprise the Extended SMART self-test log.

The Extended SMART self-test log sector shall support 48-bit and 28-bit addressing. All 28-bit entries contained in the SMART self-test log, defined in 11.42.6, "Self-test log data structure" on page 0203, shall also be included in the Extended SMART self-test log with all 48-bit entries.

Description	Bytes	Offset
Self-test log data structure revision number	1	00h
Reserved	1	01h
Self-test descriptor index (7:0)	1	02h
Self-test descriptor index (15:8)	1	03h
Descriptor entry 1	26	04h
Descriptor entry 2	25	1Eh
...		
Descriptor entry 18	26	1D8h
Vendor specific	2	1F2h
Reserved	11	1F4h
Data structure checksum	1	1FFh
	512	

These descriptor entries are viewed as a circular buffer. The nineteenth self-test shall create a descriptor entry that replaces descriptor entry 1. The next self-test after that shall create a descriptor entry that replaces descriptor entry 2, etc. All unused self-test descriptors shall be filled with zeros.

### 12.18.3.1 Self-test log data structure revision number

The value of this revision number shall be 01h.

### 12.18.3.2 Self-test descriptor index

This indicates the most recent self-test descriptor. If there have been no self-tests, this is set to zero. Valid values for the Self-test descriptor index are 0 to 18.

### 12.18.3.3 Extended Self-test log descriptor entry

The content of the self-test descriptor entry is shown below.

Description	Bytes	Offset
Self-test number	1	00h
Self-test execution status	1	01h
Power-on life timestamp in hours	2	02h
Self-test failure check point	1	04h
Failing LBA (7:0)	1	05h
Failing LBA (15:8)	1	06h
Failing LBA (23:16)	1	07h
Failing LBA (31:24)	1	08h
Failing LBA (39:32)	1	09h
Failing LBA (47:40)	1	0Ah
Vendor specific	15	0Bh
	26	

## 12.18.4 Command Error

This table defines the format of the Command Error data structure.

Byte	7
0	NQ
1	Reserved
2	Status
3	Error
4	Sector Number
5	Cylinder Low
6	Cylinder High
7	Dev/Head
8	Sector Number Previous
9	Cylinder Low Previous
10	Cylinder High Previous
11	Reserved
12	Sector Count
13	Sector Count Previous
14 - 255	Reserved
256 - 510	Vendor Unique
511	Data Structure Checksum

The TAG field (Byte 0 Bits 4-0) contains the tag number corresponding to a queued command if the NQ bit is cleared.



The NQ field (Byte 0 Bit 7) indicates whether the error condition was a result of a non-queued or not. If it is cleared the error information corresponds to a queued command specified by the tag number indicated in the TAG field.

The bytes 1 to 13 correspond to the contents of Shadow Register Block when the error was reported.

The Data Structure Checksum (Byte 511) contains the 2's complement of the sum of the first 511 bytes in the data structure. The sum of all 512 bytes of the data structure will be zero when the checksum is correct.

### 12.18.5 Read Stream Error Log

Table 108 defines the format of the Read Stream Error log. Entries are placed into the Read Stream Error log only when the SE bit is set to one in the Status Register. The 512 bytes returned shall contain a maximum of 31 error entries. The Read Stream Error Count shall contain the total number of Read Stream Errors detected since the last successful completion of the Read Log Ext command with LBA Low register set to 22h. This error count may be greater than 31, but only the most recent 31 errors are represented by entries in the log. If the Read Stream Error Count reaches the maximum value that can be represented after the next error is detected the Read Stream Error Count shall remain at the maximum value. After successful completion of a Read Log Ext command with the LBA Low Register set to 22h, the Read Stream Error Log shall be reset to a power-on or hardware reset condition, with the Error Log Index and Read Stream Error Count cleared to zero. The Read Stream Error Log is not preserved across power cycles and hardware reset.

**Table 83: Read Stream Error Log**

Description	Bytes	Offset
Structure Version	1	00h
Error Log Index	1	01h
Read Stream Error Log Count	2	02h
Reserved	12	04h
Read Stream Error Log Entry #1	16	20h
Read Stream Error Log Entry #31	16	1F0h
	512	

The Data Structure Version field shall contain a value of 02h indicating the second revision of the structure format.

The Read Stream Error Log Count field shall contain the number of uncorrected sector entries currently reportable to the host. This value may exceed 31.

The Error Log Index indicates the error log data structure representing the most recent error. Only values (31:1) are valid.

Table 110 defines the format of each entry in the Read Stream Error Log.

**Table 84: Stream Error Log entry**

Description	Bytes	Offset
Feature Register Contents Value (current)	1	00h
Feature Register Contents Value (previous)	1	01h
Status Register Contents Value	1	02h
Error Register Contents Value	1	03h
LBA (7:0)	1	04h
LBA (15:8)	1	05h
LBA (23:16)	1	06h
LBA (31:24)	1	07h
LBA (39:32)	1	08h
LBA (47:40)	1	09h
Reserved	2	0A-0Bh
Sector Count (LSB)	1	0Ch
Sector Count (MSB)	1	0Dh
Reserved	2	0E-0Fh

Byte (1:0) contains the contents of the Feature Register when the error occurred. This Value shall be set to 0FFFFh for a deferred write error.

Byte 2 contains the contents of the Status Register when the error occurred.

Byte 3 contains the contents of the Error Register when the error occurred.

Byte (9:4) indicates the starting LBA of the error.

Byte (13:12) indicate the length of the error. Therefore, each entry may describe a range of sectors at the given address and spanning the specified number of sectors.

### 12.18.6 Write Stream Error Log

Table 111 defines the format of the Write Stream Error log. Entries are placed into the Write Stream Error log only when the SE bit is set to one in the Status Register. The 512 bytes returned shall contain a maximum of 31 error entries. The Write Stream Error Count shall contain the total number of Write Stream Errors detected since the last successful completion of the Read Log Ext command with LBA Low register set to 21h. This error count may be greater than 31, but only the most 31 errors are represented by entries in the log. If the Write Stream Error Count reaches the maximum value that can be represented after the next error is detected the Write Stream Error Count shall remain at the maximum value. After successful completion of a Read Log Ext command with the LBA Low Register set to 21h, the Write Stream Error Log shall be reset to a power-on or hardware reset condition, with the

Error Log Index and Write Stream Error Count cleared to zero. The Write Stream Error Log is not reserved across power cycles and hardware reset.

**Table 85: Write Stream Error Log**

Description	Bytes	Offset
Structure Version	1	00h
Error Log Index	1	01h
Write Stream Error Log Count	2	02h
Reserved	12	04h
Write Stream Error Log Entry #1	16	10h
Write Stream Error Log Entry #2	16	20h
...		
Write Stream Error Log Entry #31	16	1F0h
	512	

The Data Structure Version field shall contain a value of 02h indicating the second revision of the structure format.

The Write Stream Error Log Count field shall contain the number of Write Stream command entries since the last power on, since this log was last read, or since hardware reset was executed.

The Error Log Index indicates the error log data structure representing the most recent error. Only values (31:0) are valid.

### 12.18.7 Streaming Performance Log

Table 111 Streaming Performance Parameters log defines the format of the log returned by the Read Log Ext command, when the LBA Low register is 20h. This data set is referred to as the Streaming Performance Parameters log, the length of which (in sectors) is statically indicated in Read Log Ext log address 00h (Log Directory).

The host should base its calculations on the larger of its Typical Host Interface Sector Time and the device reported Sector Time values, and on the sum of the device reported Access Time values and any additional latency that only the host is aware of (e.g. host command overhead, etc.).

**Table 86: Streaming Performance Parameters log**

<b>Description</b>	<b>Bytes</b>
Stream Performance Parameters log version	2
K, Number of Regions in Sector Time Array	2
L, Number of Positions in Position Array	2
M, Number of Position-differences in Access Time Array	2
Sector Time Array	$K*8$
Position Array	$L*8$
Access Time Array	$M*4$
Reserved	

**Table 87: Sector Time Array Entry (Linearly Interpolated)**

<b>Description</b>	<b>Bytes</b>
LBA of reference location (LBA(7:0)...LBA(47:40))	$n-(n+5)$
(Identify Device words (99:98))/65536 time units per sector at the reference location	$(n+6)-(n+7)$

**Table 88: Access Time Array Entry (Linearly Interpolated)**

<b>Description</b>	<b>Bytes</b>
Difference in position from last stream access to new stream access	$n-(n+1)$
Time that may be required to begin access at new stream access position, in (Identify Device words (89:88))/256 time units	$(n+2)-(n+3)$

## 12.19 Read Long (22h/23h)

Table 89: Read Long (22h/23h)

Command Block Output Registers								Command Block Input Registers									
Register	7	6	5	4	3	2	1	0	Register	7	6	5	4	3	2	1	0
Data	-	-	-	-	-	-	-	-	Data	-	-	-	-	-	-	-	-
Feature	-	-	-	-	-	-	-	-	Error	see below							
Sector Count	0	0	0	0	0	0	0	1	Sector Count	-	-	-	-	-	-	-	V
Sector Number	V	V	V	V	V	V	V	V	Sector Number	V	V	V	V	V	V	V	V
Cylinder Low	V	V	V	V	V	V	V	V	Cylinder Low	V	V	V	V	V	V	V	V
Cylinder High	V	V	V	V	V	V	V	V	Cylinder High	V	V	V	V	V	V	V	V
Device/Head	1	L	1	D	H	H	H	H	Device/Head	-	-	-	-	H	H	H	H
Command	0	0	1	0	0	0	1	R	Status	see below							

Error Register								Status Register							
7	6	5	4	3	2	1	0	7	6	5	4	3	2	1	0
CRC	UNC	0	IDN	0	ABT	T0N	AMN	BSY	RDY	DF	DSC	DRQ	COR	IDX	ERR
0	0	0	V	0	V	0	0	0	V	0	V	-	0	-	V

The Read Long command reads the designated one sector of data and the ECC bytes from the disk media. It then transfers the data and ECC bytes from the device to the host.

After 512 bytes of data have been transferred, the device will keep setting DRQ = 1 to indicate that the device is ready to transfer the ECC bytes to the host. The data is transferred 16 bits at a time and the ECC bytes are transferred 8 bits at a time. The number of ECC bytes are 4 or 40 according to the setting of Set Feature option. The default setting is 4 bytes of ECC data.

The command makes a single attempt to read the data and does not check the data using ECC. Whatever is read is returned to the host.

### Output parameters to the device

- Sector Count** This indicates the number of continuous sectors to be transferred. The Sector Count must be set to one.
- Sector Number** This indicates the sector number of the sector to be transferred. (L = 0)  
In LBA mode, this register contains LBA bits 0–7. (L = 1)
- Cylinder High/Low** This indicates the cylinder number of the sector to be transferred. (L = 0)  
In LBA mode, this register contains LBA bits 8–15 (Low), 16–23 (High). (L = 1)
- H** This indicates the head number of the sector to be transferred. (L = 0)  
In LBA mode, this register contains LBA bits 24–27. (L = 1)
- R** This indicates the retry bit. This bit is ignored.

### **Input parameters from the device**

<b>Sector Count</b>	This indicates the number of requested sectors not transferred
<b>Sector Number</b>	This indicates the sector number of the transferred sector. (L = 0) In LBA mode, this register contains current LBA bits 0–7. (L = 1)
<b>Cylinder High/Low</b>	This indicates the cylinder number of the transferred sector. (L = 0) In LBA mode, this register contains current LBA bits 8–15 (Low), 16–23 (High). (L = 1)
<b>H</b>	This indicates the head number of the transferred sector. (L = 0) In LBA mode, this register contains current LBA bits 24–27. (L = 1)

It should be noted that the device internally uses 52 bytes of ECC data on all data written or read from the disk. The 4 byte mode of operation is provided via emulation. It is recommended that for testing the effectiveness and integrity of the devices ECC functions that the 52 byte ECC mode should be used.

## 12.20 Read Multiple (C4h)

Table 90: Read Multiple (C4h)

Command Block Output Registers								Command Block Input Registers									
Register	7	6	5	4	3	2	1	0	Register	7	6	5	4	3	2	1	0
Data	-	-	-	-	-	-	-	-	Data	-	-	-	-	-	-	-	-
Feature	-	-	-	-	-	-	-	-	Error	see below							
Sector Count	V	V	V	V	V	V	V	V	Sector Count	V	V	V	V	V	V	V	V
Sector Number	V	V	V	V	V	V	V	V	Sector Number	V	V	V	V	V	V	V	V
Cylinder Low	V	V	V	V	V	V	V	V	Cylinder Low	V	V	V	V	V	V	V	V
Cylinder High	V	V	V	V	V	V	V	V	Cylinder High	V	V	V	V	V	V	V	V
Device/Head	1	L	1	D	H	H	H	H	Device/Head	-	-	-	-	H	H	H	H
Command	1	1	0	0	0	1	0	0	Status	see below							

Error Register								Status Register							
7	6	5	4	3	2	1	0	7	6	5	4	3	2	1	0
CRC	UNC	0	IDN	0	ABT	T0N	AMN	BSY	RDY	DF	DSC	DRQ	COR	IDX	ERR
0	V	0	V	0	V	0	0	0	V	0	V	-	0	-	V

The Read Multiple command reads one or more sectors of data from disk media and then transfers the data from the device to the host.

The sectors are transferred through the Data Register 16 bits at a time. The command execution is identical to the Read Sectors command with one exception: an interrupt is generated for each block—as defined by the Set Multiple command—instead of for each sector.

## 12.21 Read Multiple Ext (29h)

Table 91: Read DMA Ext Command (25h)

Command Block Output Registers								Command Block Input Registers															
Register				7	6	5	4	3	2	1	0	Register				7	6	5	4	3	2	1	0
Data Low				-	-	-	-	-	-	-	-	Data Low				-	-	-	-	-	-	-	-
Data High				-	-	-	-	-	-	-	-	Data High				-	-	-	-	-	-	-	-
Feature	Current			-	-	-	-	-	-	-	-	Error				see below							
	Previous			-	-	-	-	-	-	-													
Sector Count	Current			V	V	V	V	V	V	V	V	Sector Count	HOB=0			-	-	-	-	-	-	-	
	Previous			V	V	V	V	V	V	V	V		HOB=1			-	-	-	-	-	-		
Sector Number	Current			V	V	V	V	V	V	V	V	Sector Number	HOB=0			V	V	V	V	V	V	V	
	Previous			V	V	V	V	V	V	V	V		HOB=1			V	V	V	V	V	V		
Cylinder Low	Current			V	V	V	V	V	V	V	V	Cylinder Low	HOB=0			V	V	V	V	V	V	V	
	Previous			V	V	V	V	V	V	V	V		HOB=1			V	V	V	V	V	V		
Cylinder High	Current			V	V	V	V	V	V	V	V	Cylinder High	HOB=0			V	V	V	V	V	V	V	
	Previous			V	V	V	V	V	V	V	V		HOB=1			V	V	V	V	V	V		
Device/Head				-	1	-	D	-	-	-	-	Device/Head				-	-	-	-	-	-	-	
Command				0	0	1	0	1	0	0	1	Status				See below ...							

Error Register								Status Register							
7	6	5	4	3	2	1	0	7	6	5	4	3	2	1	0
CRC	UNC	0	IDN	0	ABT	T0N	AMN	BSY	RDY	DF	DSC	DRQ	COR	IDX	ERR
0	0	0	V	0	V	0	0	0	V	0	V	-	0	-	V

The Read Multiple Ext command reads one or more sectors of data from disk media, then transfers the data from the device to the host.

The sectors are transferred through the Data Register 16 bits at a time. Command execution is identical to the Read Sector(s) command except that an interrupt is generated for each block (as defined by the Set Multiple command) instead of for each sector.

### Output parameters to the device

<b>Sector Count Current</b>	The number of continuous sectors to be transferred low order, bits (7:0).
<b>Sector Count Previous</b>	The number of continuous sectors to be transferred high order, bits (15:8). If 0000h in the Sector Count register is specified, 65,536 sectors will be transferred.
<b>Sector Number Current</b>	LBA (7:0)
<b>Sector Number Previous</b>	LBA (31:24)
<b>Cylinder Low Current</b>	LBA (15:8)
<b>Cylinder Low Previous</b>	LBA (39:32)
<b>Cylinder High Current</b>	LBA (23:16)
<b>Cylinder High Previous</b>	LBA (47:40)



### **Input parameters from the device**

<b>Sector Number (HOB=0)</b>	LBA (7:0) of the address of the first unrecoverable error.
<b>Sector Number (HOB=1)</b>	LBA (31:24) of the address of the first unrecoverable error.
<b>Cylinder Low (HOB=0)</b>	LBA (15:8) of the address of the first unrecoverable error.
<b>Cylinder Low (HOB=1)</b>	LBA (39:32) of the address of the first unrecoverable error.
<b>Cylinder High (HOB=0)</b>	LBA (23:16) of the address of the first unrecoverable error.
<b>Cylinder High (HOB=1)</b>	LBA (47:40) of the address of the first unrecoverable error.

## 12.22 Read Native Max ADDRESS (F8h)

Table 92: Read Native Max ADDRESS (F8h)

Command Block Output Registers								Command Block Input Registers									
Register	7	6	5	4	3	2	1	0	Register	7	6	5	4	3	2	1	0
Data	-	-	-	-	-	-	-	-	Data	-	-	-	-	-	-	-	-
Feature	-	-	-	-	-	-	-	-	Error	see below							
Sector Count	-	-	-	-	-	-	-	-	Sector Count	-	-	-	-	-	-	-	-
Sector Number	-	-	-	-	-	-	-	-	Sector Number	V	V	V	V	V	V	V	V
Cylinder Low	-	-	-	-	-	-	-	-	Cylinder Low	V	V	V	V	V	V	V	V
Cylinder High	-	-	-	-	-	-	-	-	Cylinder High	V	V	V	V	V	V	V	V
Device/Head	1	L	1	D	-	-	-	-	Device/Head	-	-	-	-	H	H	H	H
Command	1	1	1	1	1	0	0	0	Status	see below							

Error Register								Status Register							
7	6	5	4	3	2	1	0	7	6	5	4	3	2	1	0
CRC	UNC	0	IDN	0	ABT	T0N	AMN	BSY	RDY	DF	DSC	DRQ	COR	IDX	ERR
0	0	0	0	0	V	0	0	0	V	0	-	-	0	-	V

This command returns the native max LBA/CYL of the drive which is not effected by the Set Max ADDRESS command.

If the 48-bit native max address is greater than 268,435,455, the Read Native Max Address command returns a value of 268,435,455.

### Input parameters from the device

**Sector Number** In LBA mode this register contains the native max LBA bits 0–7. (L = 1)

In CHS mode this register contains the native max sector number. (L = 0)

**Cylinder High/Low** In LBA mode this register contains the native max LBA bits 8–15 (Low) and bits 16–23 (High). (L = 1)

In CHS mode this register contains the native max cylinder number. (L = 0)

**H** In LBA mode this register contains the native max LBA bits 24–27. (L = 1) In CHS mode this register contains the native maximum head number. (L = 0)

## 12.23 Read Native Max Address Ext (27h)

Table 93: Read Native Max Address Ext command (27h)

Command Block Output Registers								Command Block Input Registers									
Register	7 6 5 4 3 2 1 0							Register	7 6 5 4 3 2 1 0								
Data Low	- - - - - - - -							Data Low	- - - - - - - -								
Data High	- - - - - - - -							Data High	- - - - - - - -								
Feature	Current	- - - - - - - -							Error	see below							
	Previous	- - - - - - - -															
Sector Count	Current	- - - - - - - -							Sector	HOB=0	- - - - - - - -						
	Previous	- - - - - - - -							Count	HOB=1	- - - - - - - -						
Sector Number	Current	- - - - - - - -							Sector Number	HOB=0	V V V V V V V V						
	Previous	- - - - - - - -								HOB=1	V V V V V V V V						
Cylinder Low	Current	- - - - - - - -							Cylinder Low	HOB=0	V V V V V V V V						
	Previous	- - - - - - - -								HOB=1	V V V V V V V V						
Cylinder High	Current	- - - - - - - -							Cylinder High	HOB=0	V V V V V V V V						
	Previous	- - - - - - - -								HOB=1	V V V V V V V V						
Device/Head	1 1 1 D - - - -							Device/Head	- - - - - - - -								
Command	0 0 1 0 0 1 1 1							Status	See below ...								

Error Register								Status Register							
7	6	5	4	3	2	1	0	7	6	5	4	3	2	1	0
CRC	UNC	0	IDN	0	ABT	T0N	AMN	BSY	RDY	DF	DSC	DRQ	COR	IDX	ERR
0	0	0	0	0	V	0	0	0	V	0	-	-	0	-	V

This command returns the native max LBA of HDD which is not effected by Set Max Address Ext command.

### Input parameters from the device

- Sector Number (HOB=0)** LBA (7:0) of the address of the Native max address
- Sector Number (HOB=1)** LBA (31:24) of the address of the Native max address
- Cylinder Low (HOB=0)** LBA (15:8) of the address of the Native max address
- Cylinder Low (HOB=1)** LBA (39:32) of the address of the Native max address
- Cylinder High (HOB=0)** LBA (23:16) of the address of the Native max address
- Cylinder High (HOB=1)** LBA (47:40) of the address of the Native max address

## 12.24 Read Sectors (20h/21h)

Table 94: Read Sectors Command (20h/21h)

Command Block Output Registers								Command Block Input Registers									
Register	7	6	5	4	3	2	1	0	Register	7	6	5	4	3	2	1	0
Data	-	-	-	-	-	-	-	-	Data	-	-	-	-	-	-	-	-
Feature	-	-	-	-	-	-	-	-	Error	see below							
Sector Count	V	V	V	V	V	V	V	V	Sector Count	V	V	V	V	V	V	V	V
Sector Number	V	V	V	V	V	V	V	V	Sector Number	V	V	V	V	V	V	V	V
Cylinder Low	V	V	V	V	V	V	V	V	Cylinder Low	V	V	V	V	V	V	V	V
Cylinder High	V	V	V	V	V	V	V	V	Cylinder High	V	V	V	V	V	V	V	V
Device/Head	1	L	1	D	H	H	H	H	Device/Head	-	-	-	-	H	H	H	H
Command	0	0	1	0	0	0	0	R	Status	see below							

Error Register								Status Register							
7	6	5	4	3	2	1	0	7	6	5	4	3	2	1	0
CRC	UNC	0	IDN	0	ABT	T0N	AMN	BSY	RDY	DF	DSC	DRQ	COR	IDX	ERR
0	V	0	V	0	V	0	0	0	V	0	V	-	0	-	V

The Read Sectors command reads one or more sectors of data from disk media and then transfers the data from the device to the host.

The sectors are transferred through the Data Register 16 bits at a time.

If an uncorrectable error occurs the read will be terminated at the failing sector.

### Output parameters to the device

- Sector Count** This indicates the number of continuous sectors to be transferred. If zero is specified, 256 sectors will be transferred.
- Sector Number** This is the sector number of the first sector to be transferred. (L = 0)  
In LBA mode this register contains the LBA bits 0–7. (L = 1)
- Cylinder High/Low** This is the cylinder number of the first sector to be transferred. (L = 0)  
In LBA mode this register contains the LBA bits 8–15 (Low) and bits 16–23 (High). (L = 1)
- H** This is the head number of the first sector to be transferred. (L = 0)  
In LBA mode this register contains the LBA bits 24–27. (L = 1)
- R** This is the retry bit, but this bit is ignored.

### Input parameters from the device

- Sector Count** This is the number of requested sectors not transferred. This will be zero, unless an unrecoverable error occurs.
- Sector Number** This is the sector number of the last transferred sector. (L = 0)  
In LBA mode this register contains the current LBA bits 0–7. (L = 1)

**Cylinder High/Low** This is the cylinder number of the last transferred sector. (L = 0)  
In LBA mode this register contains the current LBA bits 8–15 (Low) and bits 16–23 (High). (L = 1)

**H** This is the head number of the last transferred sector. (L = 0)  
In LBA mode this register contains the current LBA bits 24–27. (L = 1)

## 12.25 Read Sector(s) Ext (24h)

Table 95: Read Sector(s) Ext command (24h)

Command Block Output Registers								Command Block Input Registers							
Register	7 6 5 4 3 2 1 0							Register	7 6 5 4 3 2 1 0						
Data Low	- - - - - - - -							Data Low	- - - - - - - -						
Data High	- - - - - - - -							Data High	- - - - - - - -						
Feature	Current	- - - - - - - -						Error	see below						
	Previous	- - - - - - - -													
Sector Count	Current	V V V V V V V V						Sector Count	HOB=0	- - - - - - - -					
	Previous	V V V V V V V V							HOB=1	- - - - - - - -					
Sector Number	Current	V V V V V V V V						Sector Number	HOB=0	V V V V V V V V					
	Previous	V V V V V V V V							HOB=1	V V V V V V V V					
Cylinder Low	Current	V V V V V V V V						Cylinder Low	HOB=0	V V V V V V V V					
	Previous	V V V V V V V V							HOB=1	V V V V V V V V					
Cylinder High	Current	V V V V V V V V						Cylinder High	HOB=0	V V V V V V V V					
	Previous	V V V V V V V V							HOB=1	V V V V V V V V					
Device/Head	1 1 1 D - - - -							Device/Head	- - - - - - - -						
Command	0 0 1 0 0 1 0 0							Status	See below ...						

Error Register								Status Register							
7	6	5	4	3	2	1	0	7	6	5	4	3	2	1	0
CRC	UNC	0	IDN	0	ABT	T0N	AMN	BSY	RDY	DF	DSC	DRQ	COR	IDX	ERR
0	0	0	V	0	V	0	0	0	V	0	V	-	0	-	V

The Read Sector(s) Ext command reads from 1 to 65,536 sectors of data from disk media and then transfers the data from the device to the host.

The sectors are transferred through the Data Register 16 bits at a time.

If an uncorrectable error occurs, the read will be terminated at the failing sector.

### Output parameters to the device

<b>Sector Count Current</b>	The number of continuous sectors to be transferred low order, bits (7:0).
<b>Sector Count Previous</b>	The number of continuous sectors to be transferred high order, bits (15:8). If zero is specified in the Sector Count register, 65,536 sectors will be transferred.
<b>Sector Number Current</b>	LBA (7:0)
<b>Sector Number Previous</b>	LBA (31:24)
<b>Cylinder Low Current</b>	LBA (15:8)
<b>Cylinder Low Previous</b>	LBA (39:32)
<b>Cylinder High Current</b>	LBA (23:16)
<b>Cylinder High Previous</b>	LBA (47:40)

### **Input parameters from the device**

<b>Sector Number (HOB=0)</b>	LBA (7:0) of the address of the first unrecoverable error.
<b>Sector Number (HOB=1)</b>	LBA (31:24) of the address of the first unrecoverable error.
<b>Cylinder Low (HOB=0)</b>	LBA (15:8) of the address of the first unrecoverable error.
<b>Cylinder Low (HOB=1)</b>	LBA (39:32) of the address of the first unrecoverable error.
<b>Cylinder High (HOB=0)</b>	LBA (23:16) of the address of the first unrecoverable error.
<b>Cylinder High (HOB=1)</b>	LBA (47:40) of the address of the first unrecoverable error.

## 12.26 Read Stream DMA (2Ah)

**Table 96: Read Stream DMA Command (2Ah)**

Command Block Output Registers								Command Block Input Registers															
Register				7	6	5	4	3	2	1	0	Register				7	6	5	4	3	2	1	0
Data Low				-	-	-	-	-	-	-	-	Data Low				-	-	-	-	-	-	-	-
Data High				-	-	-	-	-	-	-	-	Data High				-	-	-	-	-	-	-	-
Feature	Current		V	V	V	-	V	V	V	V		Error		see below									
	Previous		V	V	V	V	V	V	V	V													
Sector Count	Current		V	V	V	V	V	V	V	V		Sector	HOB=0	-									
	Previous		V	V	V	V	V	V	V	V		Count	HOB=1	-									
Sector Number	Current		V	V	V	V	V	V	V	V		Sector Number	HOB=0	V									
	Previous		V	V	V	V	V	V	V	V			HOB=1	V									
Cylinder Low	Current		V	V	V	V	V	V	V	V		Cylinder Low	HOB=0	V									
	Previous		V	V	V	V	V	V	V	V			HOB=1	V									
Cylinder High	Current		V	V	V	V	V	V	V	V		Cylinder High	HOB=0	V									
	Previous		V	V	V	V	V	V	V	V			HOB=1	V									
Device/Head				1	1	1	D	-	-	-	-	Device/Head				-							
Command				0	0	1	0	1	0	1	0	Status				See below ...							

Error Register								Status Register							
7	6	5	4	3	2	1	0	7	6	5	4	3	2	1	0
CRC	UNC	0	IDN	0	ABT	T0N	AMN	BSY	RDY	DF	DSC	DRQ	COR	IDX	ERR
V	V	0	V	0	V	0	V	0	V	V	V	-	0	-	V

The Read Stream DMA command reads one to 65536 sectors as specified in the Sector Count register. A value of 0000h in the Sector Count register requests 65536 sectors.

The RC bit indicates that the drive operate in a continuous read mode for the Read Stream command. When RC is cleared to zero the drive shall operate in normal Streaming read mode.

When the Read Continuous mode is enabled, the device shall transfer data of the requested length without setting the ERR bit to one. The SE bit shall be set to one if the data transferred includes errors. The data may be erroneous in this case.

If the Read Continuous bit is set to one, the device shall not stop execution of the command due to errors. If the RC bit is set to one and errors occur in reading or transfer of the data, the device shall continue to transfer the amount of data requested and then provide ending status with the BSY bit cleared to zero, the SE bit set to one, the ERR bit cleared to zero, and the type of error, ICRC,UNC,IDNF or ABRT, reported in the error log. If the RC bit is set to one and the Command Completion Time Limit expires, the device shall stop execution of the command and provide ending status with BSY bit cleared to zero, the SE bit set to one, the ERR bit cleared to zero, and report the fact that the Command Completion Time Limit expired by setting the CCTO bit in the error log to one, In all cases, the device shall attempt to transfer the amount of data requested within the Command Completion Time Limit event if some data transferred is in error.



## Output Parameters To The Device

### Feature Current

#### URG (bit7)

URG specifies an urgent transfer request. The Urgent bit specifies that the command should be completed in the minimum possible time by the device and shall be completed within the specified Command Completion Time Limit.

RC specifies Read Continuous mode enabled. If the Read Continuous bit is set to one, the device shall not stop execution of the command due to errors.

If the RC bit is set to one and errors occur in reading or transfer of the data, the device shall continue to transfer the amount of data requested and then provide ending status with BSY bit cleared to zero, the SE bit set to one, the ERR bit cleared to zero, and the type of error, ICRC, UNC, IDNF or ABRT reported in the error log.

#### RC (bit6)

If the RC bit is set to one and the CCTL expires, the device shall stop execution of the command and provide ending status with the BSY bit cleared to zero, the SE bit set to one, the ERR bit cleared to zero, and report the fact that the CCTL expired by setting the CCTO bit in the error log to one.

In all cases, the device shall attempt to transfer the amount of data requested within the CCTL even if some data transferred is in error.

#### NS (bit5)

NS (Not Sequential) may be set to one if the next read stream command with the same Stream ID may not be sequential in LBA space.

#### HSE (bit4)

HSE (Handle Stream Error) specifies that this command starts at the LBA of the last reported error for this stream, so the device may attempt to continue its corresponding error recovery sequence where it left off earlier.

#### Stream ID (bit 0..2)

Stream ID specifies the stream to be read. The device shall operate according to the Stream ID set by the Read Stream command.

## Feature Current

The time allowed for the current command's completion is calculated as follows: Command Completion Time Limit = (content of the Feature register Previous) \* (Identify Device words (99:98)) useconds

## Feature Previous CCTL (7:0)

If the value is zero, the device shall use the Default CCTL supplied with a previous Configure Stream command for this Stream ID. If the Default CCTL is zero, or no previous Configure Stream command was defined for this Stream ID, the drive will ignore the CCTL. The time is measured from the write of the command register to the final INTRQ for command completion.

## Sector Count Current

The number of continuous sectors to be transferred low order, bits (7:0)

## Sector Count Previous

The number of continuous sectors to be transferred high order, bits (15:8). If zero is specified in the Sector Count register, then 65,536 sectors will be transferred.

## Sector Number Current

LBA (7:0).

## Sector Number Previous

LBA (31:24).

## Cylinder Low Current

LBA (15:8).

## Cylinder Low Previous

LBA (39:32).

## Cylinder High Current

LBA (23:16).

## Cylinder High Previous

LBA (47:40).

## Input Parameters From The Device

### Sector Number (HOB=0)

LBA (7:0) of the address of the first unrecoverable error.

### Sector Number (HOB=1)

LBA (31:24) of the address of the first unrecoverable error.

### Cylinder Low (HOB=0)

LBA (15:8) of the address of the first unrecoverable error.

### Cylinder Low (HOB=1)

LBA (39:32) of the address of the first unrecoverable error.

### Cylinder High (HOB=0)

LBA (23:16) of the address of the first unrecoverable error.

### Cylinder High (HOB=1)

LBA (47:40) of the address of the first unrecoverable error.

### CCTO (Error, bit 0)

CCTO bit shall be set to one if a Command Completion Time Limit Out error has occurred.

**Feature Current**

**SE (Status, bit 5)**

SE (Stream Error) shall be set to one if an error has occurred during the execution of the command and the RC bit is set to one, In this case the LBA returned in the Sector Number registers shall be the address of the first sector in error, and the Sector Count registers shall contain the number of consecutive sectors that may contain errors. If the RC bit is set to one when the command is issued and ICRC, UNC, IDNF, ABRT, or CTO error occurs, the SE bit shall be set to one, the ERR bit shall be cleared to zero, and the bits that would normally be set in the Error register shall be set in the error log.

**DWE (Status, bit 4)**

DWE (Deferred Write Error) shall be set to one if an error was detected in a deferred write to the media for a previous Write Stream DMA or Write Stream PIO command. This error is from a previously issued command. If DWE is set to one, the location of the deferred error is only reported in the Write Stream error log.

## 12.27 Read Stream PIO (2Bh)

Table 97: Read Stream PIO (2Bh)

Command Block Output Registers								Command Block Input Registers															
Register				7	6	5	4	3	2	1	0	Register				7	6	5	4	3	2	1	0
Data Low				-	-	-	-	-	-	-	-	Data Low				-	-	-	-	-	-	-	-
Data High				-	-	-	-	-	-	-	-	Data High				-	-	-	-	-	-	-	-
Feature	Current		V	V	V	-	V	V	V	V		Error		see below									
	Previous		V	V	V	V	V	V	V	V													
Sector Count	Current		V	V	V	V	V	V	V	V		Sector	HOB=0	-									
	Previous		V	V	V	V	V	V	V	V		Count	HOB=1	-									
Sector Number	Current		V	V	V	V	V	V	V	V		Sector Number	HOB=0	V V V V V V V V									
	Previous		V	V	V	V	V	V	V	V			HOB=1	V V V V V V V V									
Cylinder Low	Current		V	V	V	V	V	V	V	V		Cylinder Low	HOB=0	V V V V V V V V									
	Previous		V	V	V	V	V	V	V	V			HOB=1	V V V V V V V V									
Cylinder High	Current		V	V	V	V	V	V	V	V		Cylinder High	HOB=0	V V V V V V V V									
	Previous		V	V	V	V	V	V	V	V			HOB=1	V V V V V V V V									
Device/Head				1	1	1	D	-	-	-	-	Device/Head				-							
Command				0	0	1	0	1	0	1	1	Status				See below ...							

Error Register								Status Register							
7	6	5	4	3	2	1	0	7	6	5	4	3	2	1	0
CRC	UNC	0	IDN	0	ABT	T0N	AMN	BSY	RDY	DF	DSC	DRQ	COR	IDX	ERR
V	V	0	V	0	V	0	V	0	V	V	V	-	0	-	V

The Read Stream DMA command reads one to 65536 sectors as specified in the Sector Count register. A value of 0000h in the Sector Count register requests 65536 sectors.

The RC bit indicates that the drive operate in a continuous read mode for the Read Stream command. When RC is cleared to zero the drive shall operate in normal Streaming read mode.

When the Read Continuous mode is enabled, the device shall transfer data of the requested length without setting the ERR bit. The SE bit shall be set to one if the data transferred includes errors. The data may be erroneous in this case.

If the Read Continuous bit is set to one, the device shall not stop execution of the command due to errors. If the RC bit is set to one and errors occur in reading or transfer of the data, the device shall continue to transfer the amount of data requested and then provide ending status with the BSY bit cleared to zero, the SE bit set to one, the ERR bit cleared to zero, and the type of error, ICRC,UNC,IDNF, or ABRT, reported in the error log. If the RC bit is set to one and the Command Completion Time Limit expires, the device shall stop execution of the command and provide ending status with BSY bit cleared to zero, the SE bit set to one, the ERR bit cleared to zero, and report the fact that the Command Completion Time Limit expired by setting the CCTO bit in the error log to one, In all cases,

the device shall attempt to transfer the amount of data requested within the Command Completion Time Limit event if some data transferred is in error.

**Output Parameters To The Device**

Feature Current	
<b>URG (bit7)</b>	URG specifies an urgent transfer request. The Urgent bit specifies that the command should be completed in the minimum possible time by the device and shall be completed within the specified Command Completion Time Limit.
<b>RC (bit6)</b>	<p>RC specifies Read Continuous mode enabled. If the Read Continuous bit is set to one, the device shall not stop execution of the command due to errors.</p> <p>If the RC bit is set to one and errors occur in reading or transfer of the data, the device shall continue to transfer the amount of data requested and then provide ending status with BSY bit cleared to zero, the SE bit set to one, the ERR bit cleared to zero, and the type of error, UNC, IDNF or ABRT reported in the error log.</p> <p>If the RC bit is set to one and the CCTL expires, the device shall stop execution of the command and provide ending status with the BSY bit cleared to zero, the SE bit set to one, the ERR bit cleared to zero, and report the fact that the CCTL expired by setting the CCTO bit in the error log to one.</p> <p>In all cases, the device shall attempt to transfer the amount of data requested within the CCTL even if some data transferred is in error.</p>
<b>NS (bit5)</b>	NS (Not Sequential) may be set to one if the next read stream command with the same Stream ID may not be sequential in LBA space.
<b>HSE (bit4)</b>	HSE (Handle Stream Error) specifies that this command starts at the LBA of the last reported error for this stream, so the device may attempt to continue its corresponding error recovery sequence where it left off earlier.
<b>Stream ID (bit 0..2)</b>	Stream ID specifies the stream to be read. The device shall operate according to the Stream ID set by the Read Stream command.
Feature Previous	
<b>CCTL (7:0)</b>	<p>Command Completion Time Limit = (content of the Feature register.</p> <p>Previous) * (Identify Device words (99:98)) microseconds</p> <p>If the value is zero, the device shall use the Default CCTL supplied with a previous Configure Stream command for this Stream ID. If the Default CCTL is zero, or no previous Configure Stream command was defined for this Stream ID, the device will ignore the CCTL. The time is measured from the write of the command register to command completion.</p>

<b>Feature Current</b>	
<b>Sector Count Current</b>	The number of continuous sectors to be transferred low order, bits (7:0)
<b>Sector Count Previous</b>	The number of continuous sectors to be transferred high order, bits (15:8). If zero is specified in the Sector Count register, then 65,536 sectors will be transferred.
<b>Sector Number Current</b>	LBA (7:0).
<b>Sector Number Previous</b>	LBA (31:24).
<b>Cylinder Low Current</b>	LBA (15:8).
<b>Cylinder Low Previous</b>	LBA (39:32).
<b>Cylinder High Current</b>	LBA (23:16).
<b>Cylinder High Previous</b>	LBA (47:40).
<b>Input Parameters From The Device</b>	
<b>Sector Number (HOB=0)</b>	LBA (7:0) of the address of the first unrecoverable error.
<b>Sector Number (HOB=1)</b>	LBA (31:24) of the address of the first unrecoverable error.
<b>Cylinder Low (HOB=0)</b>	LBA (15:8) of the address of the first unrecoverable error.
<b>Cylinder Low (HOB=1)</b>	LBA (39:32) of the address of the first unrecoverable error.
<b>Cylinder High (HOB=0)</b>	LBA (23:16) of the address of the first unrecoverable error.
<b>Cylinder High (HOB=1)</b>	LBA (47:40) of the address of the first unrecoverable error.
<b>CCTO (Error, bit 0)</b>	CCTO bit shall be set to one if a Command Completion Time Limit Out error has occurred.
<b>SE (Status, bit 5)</b>	SE (Stream Error) shall be set to one if an error has occurred during the execution of the command and the RC bit is set to one. In this case the LBA returned in the Sector Number registers shall be the address of the first sector in error, and the Sector Count registers shall contain the number of consecutive sectors that may contain errors. If the RC bit is set to one when the command is issued and a UNC, IDNF, ABRT, or CCTO error occurs, the SE bit shall be set to one, the ERR bit shall be cleared to zero, and the bits that would normally be set in the Error register shall be set in the error log.
<b>DWE (Status, bit 4)</b>	DWE (Deferred Write Error) shall be set to one if an error was detected in a deferred write to the media for a previous Write Stream DMA or Write Stream PIO command. This error is from a previously issued command. If DWE is set to one, the location of the deferred error is only reported in the Write Stream error log.

## 12.28 Read Verify Sectors (40h/41h)

Table 98: Read Verify Sectors (40h/41h)

Command Block Output Registers								Command Block Input Registers									
Register	7	6	5	4	3	2	1	0	Register	7	6	5	4	3	2	1	0
Data	-	-	-	-	-	-	-	-	Data	-	-	-	-	-	-	-	-
Feature	-	-	-	-	-	-	-	-	Error	see below							
Sector Count	V	V	V	V	V	V	V	V	Sector Count	V	V	V	V	V	V	V	V
Sector Number	V	V	V	V	V	V	V	V	Sector Number	V	V	V	V	V	V	V	V
Cylinder Low	V	V	V	V	V	V	V	V	Cylinder Low	V	V	V	V	V	V	V	V
Cylinder High	V	V	V	V	V	V	V	V	Cylinder High	V	V	V	V	V	V	V	V
Device/Head	1	L	1	D	H	H	H	H	Device/Head	-	-	-	-	H	H	H	H
Command	0	0	1	0	0	0	0	R	Status	see below							

Error Register								Status Register							
7	6	5	4	3	2	1	0	7	6	5	4	3	2	1	0
CRC	UNC	0	IDN	0	ABT	T0N	AMN	BSY	RDY	DF	DSC	DRQ	COR	IDX	ERR
0	V	0	V	0	V	0	0	0	V	0	V	-	0	-	V

The Read Verify Sectors command verifies one or more sectors on the device. No data is transferred to the host.

The difference between the Read Sector(s) command and the Read Verify Sector(s) command is whether data is transferred to the host or not.

If an uncorrectable error occurs, the read verify will be terminated at the failing sector.

### Output parameters to the device

- Sector Count** This is the number of continuous sectors to be verified. If zero is specified, 256 sectors will be verified.
- Sector Number** This is the sector number of the first sector to be transferred. (L = 0)  
In LBA mode this register contains the LBA bits 0–7. (L = 1)
- Cylinder High/Low** This is the cylinder number of the first sector to be transferred. (L = 0)  
In LBA mode this register contains the LBA bits 8–15 (Low) and bits 16–23 (High). (L = 1)
- H** This is the head number of the first sector to be transferred. (L = 0)  
In LBA mode this register contains the LBA bits 24–27. (L = 1)
- R** This is the retry bit. this bit is ignored.

### Input parameters from the device

- Sector Count** This is the number of requested sectors not verified. This number will be zero unless an unrecoverable error occurs.
- Sector Number** This is the sector number of the last transferred sector. (L = 0)  
In LBA mode this register contains the current LBA bits 0–7. (L = 1)

**Cylinder High/Low** This is the cylinder number of the last transferred sector. (L = 0)  
In LBA mode this register contains the current LBA bits 8–15 (Low) and bits 16–23 (High). (L = 1)

**H** This is the head number of the last transferred sector. (L = 0)  
In LBA mode this register contains the current LBA bits 24–27. (L = 1)



## 12.29 Read Verify Sectors Ext (42h)

Table 99: Read Verify Sectors Ext command (42h)

Command Block Output Registers								Command Block Input Registers							
Register	7 6 5 4 3 2 1 0							Register	7 6 5 4 3 2 1 0						
Data Low	- - - - - - - -							Data Low	- - - - - - - -						
Data High	- - - - - - - -							Data High	- - - - - - - -						
Feature	Current	- - - - - - - -						Error	see below						
	Previous	- - - - - - - -													
Sector Count	Current	V V V V V V V V						Sector Count	HOB=0	- - - - - - - -					
	Previous	V V V V V V V V							HOB=1	- - - - - - - -					
Sector Number	Current	V V V V V V V V						Sector Number	HOB=0	V V V V V V V V					
	Previous	V V V V V V V V							HOB=1	V V V V V V V V					
Cylinder Low	Current	V V V V V V V V						Cylinder Low	HOB=0	V V V V V V V V					
	Previous	V V V V V V V V							HOB=1	V V V V V V V V					
Cylinder High	Current	V V V V V V V V						Cylinder High	HOB=0	V V V V V V V V					
	Previous	V V V V V V V V							HOB=1	V V V V V V V V					
Device/Head	1 1 1 D - - - -							Device/Head	- - - - - - - -						
Command	0 0 1 0 0 0 1 0							Status	See below ...						

Error Register								Status Register							
7	6	5	4	3	2	1	0	7	6	5	4	3	2	1	0
CRC	UNC	0	IDN	0	ABT	T0N	AMN	BSY	RDY	DF	DSC	DRQ	COR	IDX	ERR
0	0	0	V	0	V	0	0	0	V	0	V	-	0	-	V

The Read Verify Sector(s) Ext command verifies one or more sectors on the device. No data is transferred to the host.

The difference between the Read Sector(s) command and the Read Verify Sector(s) command is whether data is transferred to the host or not.

If an uncorrectable error occurs, the Read Verify Sector(s) Ext will be terminated at the failing sector.

### Output parameters to the device

<b>Sector Count Current</b>	The number of continuous sectors to be verified low order, bits (7:0).
<b>Sector Count Previous</b>	The number of continuous sectors to be verified high order, bits (15:8). If zero is specified in the Sector Count register, 65,536 sectors will be transferred.
<b>Sector Number Current</b>	LBA (7:0)
<b>Sector Number Previous</b>	LBA (31:24)
<b>Cylinder Low Current</b>	LBA (15:8)
<b>Cylinder Low Previous</b>	LBA (39:32)
<b>Cylinder High Current</b>	LBA (23:16)
<b>Cylinder High Previous</b>	LBA (47:40)

### **Input parameters from the device**

<b>Sector Number (HOB=0)</b>	LBA (7:0) of the address of the first unrecoverable error.
<b>Sector Number (HOB=1)</b>	LBA (31:24) of the address of the first unrecoverable error.
<b>Cylinder Low (HOB=0)</b>	LBA (15:8) of the address of the first unrecoverable error.
<b>Cylinder Low (HOB=1)</b>	LBA (39:32) of the address of the first unrecoverable error.
<b>Cylinder High (HOB=0)</b>	LBA (23:16) of the address of the first unrecoverable error.
<b>Cylinder High (HOB=1)</b>	LBA (47:40) of the address of the first unrecoverable error.

## 12.30 Recalibrate (1xh)

Table 100: Recalibrate (1xh)

Command Block Output Registers								Command Block Input Registers									
Register	7	6	5	4	3	2	1	0	Register	7	6	5	4	3	2	1	0
Data	-	-	-	-	-	-	-	-	Data	-	-	-	-	-	-	-	-
Feature	-	-	-	-	-	-	-	-	Error	see below							
Sector Count	-	-	-	-	-	-	-	-	Sector Count	-	-	-	-	-	-	-	-
Sector Number	-	-	-	-	-	-	-	-	Sector Number	-	-	-	-	-	-	-	-
Cylinder Low	-	-	-	-	-	-	-	-	Cylinder Low	-	-	-	-	-	-	-	-
Cylinder High	-	-	-	-	-	-	-	-	Cylinder High	-	-	-	-	-	-	-	-
Device/Head	1	-	1	D	-	-	-	-	Device/Head	-	-	-	-	-	-	-	-
Command	0	0	0	1	-	-	-	-	Status	see below							

Error Register								Status Register							
7	6	5	4	3	2	1	0	7	6	5	4	3	2	1	0
CRC	UNC	0	IDN	0	ABT	TON	AMN	BSY	RDY	DF	DSC	DRQ	COR	IDX	ERR
0	0	0	0	0	V	V	0	0	V	0	V	-	0	-	V

The Recalibrate command moves the read/write heads from anywhere on the disk to cylinder 0.

If the device cannot reach cylinder 0, TON (Track 0 Not Found) will be set in the Error Register.

## 12.31 Security Disable Password (F6h)

Table 101: Security Disable Password (F6h)

Command Block Output Registers								Command Block Input Registers									
Register	7	6	5	4	3	2	1	0	Register	7	6	5	4	3	2	1	0
Data	-	-	-	-	-	-	-	-	Data	-	-	-	-	-	-	-	-
Feature	-	-	-	-	-	-	-	-	Error	see below							
Sector Count	-	-	-	-	-	-	-	-	Sector Count	-	-	-	-	-	-	-	-
Sector Number	-	-	-	-	-	-	-	-	Sector Number	-	-	-	-	-	-	-	-
Cylinder Low	-	-	-	-	-	-	-	-	Cylinder Low	-	-	-	-	-	-	-	-
Cylinder High	-	-	-	-	-	-	-	-	Cylinder High	-	-	-	-	-	-	-	-
Device/Head	1	-	1	D	-	-	-	-	Device/Head	-	-	-	-	-	-	-	-
Command	1	1	1	1	0	1	1	0	Status	see below							

Error Register								Status Register							
7	6	5	4	3	2	1	0	7	6	5	4	3	2	1	0
CRC	UNC	0	IDN	0	ABT	T0N	AMN	BSY	RDY	DF	DSC	DRQ	COR	IDX	ERR
0	0	0	0	0	V	0	0	0	V	0	V	-	0	-	V

The Security Disable Password command disables the security mode feature (device lock function).

The Security Disable Password command requests a transfer of a single sector of data from the host including information specified in the table below. The device then checks the transferred password. If the User Password or Master Password matches the given password, the device disables the security mode feature (device lock function). This command does not change the Master Password which may be reactivated later by setting User Password. This command should be executed in device unlock mode.

Table 102: Password Information for Security Disable Password command

Word	Description
00	Control word bit 0 : Identifier (1-Master, 0- User) bits 1-15 : Reserved
01-16	Password (32 bytes)
17- 255	Reserved

The device will compare the password sent from this host with that specified in the control word.

**Identifier** Zero indicates that the device should check the supplied password against the user password stored internally. One indicates that the device should check the given password against the master password stored internally.

## 12.32 Security Erase Prepare (F3h)

Table 103: Security Disable Password (F3h)

Command Block Output Registers								Command Block Input Registers									
Register	7	6	5	4	3	2	1	0	Register	7	6	5	4	3	2	1	0
Data	-	-	-	-	-	-	-	-	Data	-	-	-	-	-	-	-	-
Feature	-	-	-	-	-	-	-	-	Error	see below							
Sector Count	-	-	-	-	-	-	-	-	Sector Count	-	-	-	-	-	-	-	-
Sector Number	-	-	-	-	-	-	-	-	Sector Number	-	-	-	-	-	-	-	-
Cylinder Low	-	-	-	-	-	-	-	-	Cylinder Low	-	-	-	-	-	-	-	-
Cylinder High	-	-	-	-	-	-	-	-	Cylinder High	-	-	-	-	-	-	-	-
Device/Head	1	-	1	D	-	-	-	-	Device/Head	-	-	-	-	-	-	-	-
Command	1	1	1	1	0	0	1	1	Status	see below							

Error Register								Status Register							
7	6	5	4	3	2	1	0	7	6	5	4	3	2	1	0
CRC	UNC	0	IDN	0	ABT	T0N	AMN	BSY	RDY	DF	DSC	DRQ	COR	IDX	ERR
0	0	0	0	0	V	0	0	0	V	0	V	-	0	-	V

The Security Erase Prepare command must be issued immediately before the Security Erase Unit command to enable device erasing and unlocking.

The Security Erase Prepare Command must be issued immediately before the Format Unit Command. This command is to prevent accidental erasure of the device.

This command does not request the transfer of data.

## 12.33 Security Erase Unit (F4h)

Table 104: Security Erase Unit (F4h)

Command Block Output Registers								Command Block Input Registers									
Register	7	6	5	4	3	2	1	0	Register	7	6	5	4	3	2	1	0
Data	-	-	-	-	-	-	-	-	Data	-	-	-	-	-	-	-	-
Feature	-	-	-	-	-	-	-	-	Error	see below							
Sector Count	-	-	-	-	-	-	-	-	Sector Count	-	-	-	-	-	-	-	-
Sector Number	-	-	-	-	-	-	-	-	Sector Number	-	-	-	-	-	-	-	-
Cylinder Low	-	-	-	-	-	-	-	-	Cylinder Low	-	-	-	-	-	-	-	-
Cylinder High	-	-	-	-	-	-	-	-	Cylinder High	-	-	-	-	-	-	-	-
Device/Head	1	-	1	D	-	-	-	-	Device/Head	-	-	-	-	-	-	-	-
Command	1	1	1	1	0	1	0	0	Status	see below							

Error Register								Status Register							
7	6	5	4	3	2	1	0	7	6	5	4	3	2	1	0
CRC	UNC	0	IDN	0	ABT	T0N	AMN	BSY	RDY	DF	DSC	DRQ	COR	IDX	ERR
0	0	0	V	0	V	0	0	0	V	0	V	-	0	-	V

The Security Erase Unit command initializes all user data sectors and then disables the device lock function.

Note that the Security Erase Unit command initializes from LBA 0 to Native MAX LBA. The Host MAX LBA is set by the Initialize Drive Parameter or the Set MAX ADDRESS command is ignored. The protected area by the Set MAX ADDRESS command is also initialized.

This command requests the transfer of a single sector of data from the host including information specified in the table below.

If the password does not match, the device rejects the command with an Aborted error.

Table 105: Erase Unit information

Word	Description
00	Control Word bit 0 : Identifier (1- Master, 0- User) bit 1 : Erase mode (1- Enhanced, 0 - Normal) [Enhanced mode is not supported] bit 2-15 : Reserved
01-16	Password (32 bytes)
17-255	Reserved

**Identifier** Zero indicates that the device should check the supplied password against the user password stored internally. One indicates that the device should check the given password against the master password stored internally.

The Security Erase Unit command erases all user data and disables the security mode feature (device lock function). After the completion of this command, all the user data will be initialized to zero with a write operation. At this time, the data write is not verified with a read operation to determine if the data sector is initialized correctly.

At this time the defective sector information and the reassigned sector information for the device are not updated. The security erase prepare command should be completed immediately prior to the Security Erase Unit command. If the device receives a Security Erase Unit command without a prior Security Erase Prepare command the device aborts the security erase unit command.

This command disables the security mode feature (device lock function), however, the master password is still stored internally within the device and may be reactivated later when a new user password is set. If you execute this command when disabling the security mode feature (device lock function), the password sent by the host is NOT compared with either the Master Password or the User Password. The device then erases all user data.

The execution time of this command is set in word 89 of Table 61, “Identify device information (Part 1 of 7),” on page 115.

## 12.34 Security Freeze Lock (F5h)

Table 106: Security Freeze Lock command (F5h)

Command Block Output Registers								Command Block Input Registers									
Register	7	6	5	4	3	2	1	0	Register	7	6	5	4	3	2	1	0
Data	-	-	-	-	-	-	-	-	Data	-	-	-	-	-	-	-	-
Feature	-	-	-	-	-	-	-	-	Error	see below							
Sector Count	-	-	-	-	-	-	-	-	Sector Count	-	-	-	-	-	-	-	-
Sector Number	-	-	-	-	-	-	-	-	Sector Number	-	-	-	-	-	-	-	-
Cylinder Low	-	-	-	-	-	-	-	-	Cylinder Low	-	-	-	-	-	-	-	-
Cylinder High	-	-	-	-	-	-	-	-	Cylinder High	-	-	-	-	-	-	-	-
Device/Head	1	-	1	D	-	-	-	-	Device/Head	-	-	-	-	-	-	-	-
Command	1	1	1	1	0	1	0	1	Status	see below							

Error Register								Status Register							
7	6	5	4	3	2	1	0	7	6	5	4	3	2	1	0
CRC	UNC	0	IDN	0	ABT	T0N	AMN	BSY	RDY	DF	DSC	DRQ	COR	IDX	ERR
0	0	0	0	0	V	0	0	0	V	0	-	-	0	-	V

The Security Freeze Lock Command allows the device to enter frozen mode immediately.

After this command is completed, the command which updates Security Mode Feature (Device Lock Function) is rejected.

Frozen mode is quit only by a Power off.

The following commands are rejected when the device is in frozen mode:

- Security Set Password
- Security Unlock
- Security Disable Password
- Security Erase Unit

Refer to Table 70: “Command table for device lock operation” on page 84.



## 12.35 Security Set Password (F1h)

Table 107: Security Set Password command (F1h)

Command Block Output Registers								Command Block Input Registers									
Register	7	6	5	4	3	2	1	0	Register	7	6	5	4	3	2	1	0
Data	-	-	-	-	-	-	-	-	Data	-	-	-	-	-	-	-	-
Feature	-	-	-	-	-	-	-	-	Error	see below							
Sector Count	-	-	-	-	-	-	-	-	Sector Count	-	-	-	-	-	-	-	-
Sector Number	-	-	-	-	-	-	-	-	Sector Number	-	-	-	-	-	-	-	-
Cylinder Low	-	-	-	-	-	-	-	-	Cylinder Low	-	-	-	-	-	-	-	-
Cylinder High	-	-	-	-	-	-	-	-	Cylinder High	-	-	-	-	-	-	-	-
Device/Head	1	-	1	D	-	-	-	-	Device/Head	-	-	-	-	-	-	-	-
Command	1	1	1	1	0	0	0	1	Status	see below							

Error Register								Status Register							
7	6	5	4	3	2	1	0	7	6	5	4	3	2	1	0
CRC	UNC	0	IDN	0	ABT	T0N	AMN	BSY	RDY	DF	DSC	DRQ	COR	IDX	ERR
0	0	0	0	0	V	0	0	0	V	0	-	-	0	-	V

The Security Set Password command enables the security mode feature (device lock function) and sets the master password or the user password.

The security mode feature (device lock function) is enabled by this command and the device is not locked immediately. The device is locked after the next power on reset or hard reset. When the MASTER password is set by this command, the master password is registered internally. The device is NOT locked after next power on reset or hard reset.

This command requests the transfer of a single sector of data from the host including the information specified in the table below.

The data transferred controls the function of this command.

Table 108: Security Set Password Information

Word	Description
00	Control Word bit 0 : Identifier (1-Master, 0-User) bit 1-7 : Reserved bit 8 : Security level (1-Maximum, 0-High) bit 9-15 : Reserved
01-16	Password (32 bytes)
17	Master Password Revision Code (valid if Word 0 bit 0 = 1)
18-255	Reserved

### Identifier

Zero indicates that the device should check the supplied password against the user password stored internally. One indicates that the device should check the given password against the master password stored internally.

### **Security Level**

Zero indicates High level. One indicates Maximum level. If the host sets High level and the password is forgotten, the Master Password can be used to unlock the device. If the host sets Maximum level and the user password is forgotten, only a Security Erase Prepare/Security Unit command can unlock the device and all data will be lost.

### **Password**

All 32 bytes of the text of the password are always significant.

### **Master Password Revision Code**

The Revision Code field is set with Master password. If Identifier is User, the Revision Code is not set. The Revision Code field is returned in Identify Device word 92. The valid Revision Codes are 0000h to FFFDh. The Default Master Password Revision Code is FFFEh. The code FFFFh is reserved.

### Identifier and Security level bits

The setting of the Identifier and Security level bits interact as follows:

Identifier = User / Security level = High

The password supplied with the command will be saved as the new user password. The security mode feature (lock function) will be enabled from the next power on. The drive may then be unlocked by either the user password or the previously set master password.

Identifier = Master / Security level = High

This combination will set a master password but will NOT enable the security mode feature (lock function).

Identifier = User / Security level = Maximum

The password supplied with the command will be saved as the new user password. The security mode feature (lock function) will be enabled from the next power on. The drive may then be unlocked by only the user password. The master password previously set is still stored in the drive but may NOT be used to unlock the device.

Identifier = Master / Security level = Maximum

This combination will set a master password but will NOT enable the security mode feature (lock function).

## 12.36 Security Unlock (F2h)

Table 109: Security Unlock command (F2h)

Command Block Output Registers								Command Block Input Registers									
Register	7	6	5	4	3	2	1	0	Register	7	6	5	4	3	2	1	0
Data	-	-	-	-	-	-	-	-	Data	-	-	-	-	-	-	-	-
Feature	-	-	-	-	-	-	-	-	Error	see below							
Sector Count	-	-	-	-	-	-	-	-	Sector Count	-	-	-	-	-	-	-	-
Sector Number	-	-	-	-	-	-	-	-	Sector Number	-	-	-	-	-	-	-	-
Cylinder Low	-	-	-	-	-	-	-	-	Cylinder Low	-	-	-	-	-	-	-	-
Cylinder High	-	-	-	-	-	-	-	-	Cylinder High	-	-	-	-	-	-	-	-
Device/Head	1	-	1	D	-	-	-	-	Device/Head	-	-	-	-	-	-	-	-
Command	1	1	1	1	0	0	1	0	Status	see below							

Error Register								Status Register							
7	6	5	4	3	2	1	0	7	6	5	4	3	2	1	0
CRC	UNC	0	IDN	0	ABT	T0N	AMN	BSY	RDY	DF	DSC	DRQ	COR	IDX	ERR
0	0	0	0	0	V	0	0	0	V	0	-	-	0	-	V

This command unlocks the password and causes the device to enter device unlock mode. If a power on reset or hard reset is done without executing the Security Disable Password command after this command is completed, the device will be in device lock mode. The password has not been changed yet.

The Security Unlock command requests the transfer of a single sector of data from the host including information specified in the table below.

If the Identifier bit is set to master and the drive is in high security mode, the password supplied will be compared with the stored master password. If the drive is in maximum security mode, the security unlock will be rejected.

If the Identifier bit is set to user, the drive compares the supplied password with the stored user password.

If the password compare fails, the device returns an abort error to the host and decrements the unlock attempt counter. This counter is initially set to five and is decremented for each password mismatch. When this counter reaches zero, all password protected commands are rejected until there is a hard reset or a power off.

Word	Description
00	Control Word bit 0 : Identifier (1- Master, 0- User) bit 1-15 : Reserved
01-16	Password (32 bytes)
17-255	Reserved

### Identifier

A zero indicates that the device regards Password as the User Password. A one indicates that the device regards Password as the Master Password.

The user can detect if the attempt to unlock the device has failed due to a mismatched password since this is the only reason that an abort error will be returned by the drive AFTER the password information has been sent to the device. An abort error returned by the device BEFORE the password data has been sent to the drive indicates that another problem exists.

## 12.37 Seek (7xh)

Table 110: Seek command (7xh)

Command Block Output Registers								Command Block Input Registers									
Register	7	6	5	4	3	2	1	0	Register	7	6	5	4	3	2	1	0
Data	-	-	-	-	-	-	-	-	Data	-	-	-	-	-	-	-	-
Feature	-	-	-	-	-	-	-	-	Error	see below							
Sector Count	-	-	-	-	-	-	-	-	Sector Count	-	-	-	-	-	-	-	-
Sector Number	V	V	V	V	V	V	V	V	Sector Number	V	V	V	V	V	V	V	V
Cylinder Low	V	V	V	V	V	V	V	V	Cylinder Low	V	V	V	V	V	V	V	V
Cylinder High	V	V	V	V	V	V	V	V	Cylinder High	V	V	V	V	V	V	V	V
Device/Head	1	L	1	D	H	H	H	H	Device/Head	-	-	-	-	H	H	H	H
Command	0	1	1	1	-	-	-	-	Status	see below							

Error Register								Status Register							
7	6	5	4	3	2	1	0	7	6	5	4	3	2	1	0
CRC	UNC	0	IDN	0	ABT	T0N	AMN	BSY	RDY	DF	DSC	DRQ	COR	IDX	ERR
0	0	0	V	0	V	0	0	0	V	0	V	-	0	-	V

The Seek command initiates a seek to the designated track and selects the designated head. The device does not need to be formatted for a seek to execute properly.

### Output parameters to the device

- Sector Number** In LBA mode this register specifies the LBA address bits 0–7 for seek. (L = 1)
- Cylinder High/Low** This is the cylinder number of the seek. In LBA mode this register specifies the LBA address bits 8–15 (Low) and bits 16–23 (High) for seek. (L = 1)
- H** This is the head number of the seek. In LBA mode this register specifies the LBA address bits 24–27 for seek. (L = 1)

### Input parameters from the device

- Sector Number** In LBA mode this register contains the current LBA bits 0–7. (L = 1)
- Cylinder High/Low** In LBA mode this register contains the current LBA bits 8–15 (Low) and bits 16–23 (High). (L = 1)
- H** In LBA mode this register contains the current LBA bits 24–27. (L = 1)

## 12.38 Set Features (EFh)

Table 111: Set Features command (EFh)

Command Block Output Registers								Command Block Input Registers									
Register	7	6	5	4	3	2	1	0	Register	7	6	5	4	3	2	1	0
Data	-	-	-	-	-	-	-	-	Data	-	-	-	-	-	-	-	-
Feature	V	V	V	V	V	V	V	V	Error	see below							
Sector Count	see note 1								Sector Count	-	-	-	-	-	-	-	-
Sector Number	-	-	-	-	-	-	-	-	Sector Number	-	-	-	-	-	-	-	-
Cylinder Low	-	-	-	-	-	-	-	-	Cylinder Low	-	-	-	-	-	-	-	-
Cylinder High	-	-	-	-	-	-	-	-	Cylinder High	-	-	-	-	-	-	-	-
Device/Head	1	-	1	D	-	-	-	-	Device/Head	-	-	-	-	-	-	-	-
Command	1	1	1	0	1	1	1	1	Status	see below							

Error Register								Status Register							
7	6	5	4	3	2	1	0	7	6	5	4	3	2	1	0
CRC	UNC	0	IDN	0	ABT	T0N	AMN	BSY	RDY	DF	DSC	DRQ	COR	IDX	ERR
0	0	0	0	0	V	0	0	0	V	0	-	-	0	-	V

The Set Feature command establishes the following parameters which affect the execution of certain features as shown in the table below.

ABT will be set to 1 in the Error Register if the Feature register contains any undefined values.

Output parameters to the device

02H	Enable write cache
03H	Set transfer mode based on value in sector count register
05H	Enable Advanced Power Management
06H	Enable Power-up in Standby feature set
07H	Power-up in Standby feature set device spin-up
09H	Enable Address Offset mode
42H	Enable Automatic Acoustic Management
44H	52 bytes of ECC apply on Read Long/Write Long commands
5DH	Enable release interrupt
66H	Disable reverting to power on defaults
82H	Disable write cache
85H	Disable Advanced Power Management
86H	Disable Power-up in Standby mode
89H	Disable Address Offset mode
AAH	Enable read look-ahead feature
BBH	4 bytes of ECC apply on Read Long/Write Long commands
C2H	Disable Automatic Acoustic Management
CCH	Enable reverting to power on defaults

*Note:* After the power on reset or hard reset the device is set to the following features as default.

Write cache	Enable
ECC bytes	4 bytes
Read look-ahead	Enable
Reverting to power on defaults	Disable
Release interrupt	Disable

### 12.38.1 Set Transfer mode

When the Feature register is 03h (= Set Transfer mode) the Sector Count Register specifies the transfer mechanism. The upper 5 bits define the type of transfer and the low order 3 bits encode the mode value.

PIO Default Transfer Mode	00000 000
PIO Default Transfer Mode, Disable IORDY	00000 001
PIO Flow Control Transfer Mode x	00001 nnn (nnn=000,001,010,011,100)
Multiword DMA mode x	00100 nnn (nnn=000,001,010)
Ultra DMA mode x	01000 nnn (nnn=000,001,010,011,100,101)

### 12.38.2 Write Cache

If the number of auto reassigned sectors reaches the reassignment capacity of the device, the write cache function will automatically be disabled. Although the device still accepts the Set Features command (with Feature register = 02h) without error, the write cache function will remain disabled. For the current write cache function status, refer to (word 85 or 129) in Table 61: “Identify device information (Part 1 of 7)” on page 115.

### 12.38.3 Serial ATA Feature

When the Feature register is set to 10h or 90h, the value set to the Sector Count register specifies the specific Serial ATA feature to enable or disable.

Sector Count Value	Description
01h	Non-zero buffer offset in DMA Setup FIS
02h	DMA Setup FIS Auto-Activate optimization
03h	Device-initiated interface power state transitions
04h	Guaranteed In-Order Data Delivery
05h	Asynchronous Notification
06h	Software Settings Preservation

## 12.38.4 Advanced Power Management

When the Feature Register is 05h (=Enable Advanced Power Management) the Sector Count Register specifies the Advanced Power Management level.

FFH	Aborted
C0-FEh	The lowest Power Saving Mode is Normal Idle mode (the same as Disable Advanced Power Management)
80-BFh	The lowest power consumption mode is Low Power Idle
01-7Fh	The lowest power consumption mode is Low RPM standby mode
00H	Aborted

The idle time to Low power idle mode and Low RPM standby mode vary according to the value in Sector Count register as follows:

When Low power idle mode is the deepest Power Saving mode,

$$y_1 = (x - 80h) \llcorner 5 + 120 [\text{sec}] \quad (120 \llcorner y_1 \llcorner 435)$$
$$y_2 = \text{N/A} \text{ (the device does not go to Low RPM standby mode)}$$

When Low RPM standby mode is the deepest Power Saving mode and the value in Sector Count register is between 40h and 7Fh,

$$120 \llcorner y_1 \llcorner 435 [\text{sec}] \text{ (default: 120 [sec])}$$
$$y_2 = (x - 40h) \llcorner 60 + 600 [\text{sec}] \quad (600 \llcorner y_2 \llcorner 4380)$$

When Low RPM standby mode is the deepest Power Saving Mode and the value in Sector Count register is between 01h and 3Fh,

where

$$120 \llcorner y_1 \llcorner 435 [\text{sec}] \text{ (default: 120 [sec])}$$
$$y_2 = 600 [\text{sec}]$$

x = the value in Sector Count register



y1 = the idle time to Low Power Idle mode

y2 = the idle time to Low RPM standby mode

If Low power idle mode has already been enabled (i.e., y1 has been set) before Low RPM standby mode is enabled, y1 is preserved. If Low power idle mode is disabled (i.e., y1 has not yet been set), y1 becomes 120 seconds when Low RPM standby mode is enabled.

Enabled Power Saving mode and idle time (y1 and y2) are preserved until Advanced Power Management is disabled, the deepest Power Saving mode becomes Normal Idle mode, or a new time is set. They are initialized with a hard/soft reset unless Reverting to Power on defaults is disabled and the device receives a soft reset.

Additional electronics are powered off and the heads are unloaded on the ramp. The spindle is still rotated at the full speed.

The heads are unloaded on the ramp and the spindle is rotated at the 60-65% of the full speed.

When Feature register is 85h (= Disable Advanced Power Management), the deepest Power Saving becomes normal Idle.

### **12.38.5 Automatic Acoustic Management**

When Feature register is 42h (= Enable Automatic Acoustic Management), the Sector Count Register specifies the Automatic Acoustic Management level.

FFh	Aborted
C0-FEh	Set to Normal Seek mode
80-BFh	Set to Quiet Seek mode
00-7Fh	Aborted

The device preserves enabling or disabling of Automatic Acoustic Management and the current Automatic Acoustic Management level setting across all forms of reset, that is, Power on, Hardware, and Software Resets.

## 12.39 Set Max ADDRESS (F9h)

Table 112: Set Max ADDRESS command (F9h)

Command Block Output Registers								Command Block Input Registers									
Register	7	6	5	4	3	2	1	0	Register	7	6	5	4	3	2	1	0
Data	-	-	-	-	-	-	-	-	Data	-	-	-	-	-	-	-	-
Feature	V	V	V	V	V	V	V	V	Error	see below							
Sector Count	-	-	-	-	-	-	-	B	Sector Count	-	-	-	-	-	-	-	-
Sector Number	V	V	V	V	V	V	V	V	Sector Number	V	V	V	V	V	V	V	V
Cylinder Low	V	V	V	V	V	V	V	V	Cylinder Low	V	V	V	V	V	V	V	V
Cylinder High	V	V	V	V	V	V	V	V	Cylinder High	V	V	V	V	V	V	V	V
Device/Head	1	L	1	D	H	H	H	H	Device/Head	-	-	-	-	H	H	H	H
Command	1	1	1	1	1	0	0	1	Status	see below							

Error Register								Status Register							
7	6	5	4	3	2	1	0	7	6	5	4	3	2	1	0
CRC	UNC	0	IDN	0	ABT	T0N	AMN	BSY	RDY	DF	DSC	DRQ	COR	IDX	ERR
0	0	0	0	0	V	0	0	0	V	0	-	-	0	-	V

If this command is immediately preceded by a Read Native Max Address command, the device regards it as a Set Max Address command. The device receives this command without a prior Read Native Max Address command and regards it as a Set Max security extensions command according to feature register value.

Valid features values are as shown below:

- 01h indicates Set Max Set Password command
- 02h indicates Set Max Lock command
- 03h indicates Set Max Unlock command
- 04h indicates Set Max Freeze LOCK command

This command overwrites the maximum number of Addresses of the drive in a range of actual device capacity. When the device receives this command, all accesses beyond that Address are rejected with setting ABORT bit in status register. Identify Device Command returns the Address which is set via this command as a default value.

If the device in Address Offset mode receives this command with the nonvolatile option, the device returns aborted error to the host.

The device returns command aborted for a second nonvolatile Set Max Address command until the next power on or hardware reset.

The device returns command aborted during Set Max Locked mode or Set Max Frozen mode.

After a successful command completion, Identify Device response words (61:60) shall reflect the maximum address set with this command.

If the 48-bit Address feature set is supported, the value placed in Identify Device response words (103:100) shall be the same as the value placed in words (61:60). However, if the device contains greater than 268,435,455 sectors, the capacity addressable with 28-bit commands, and the address requested is 268,435,455, the max address shall be

changed to the native maximum address, the value placed in words (61:60) shall be 268,435,455 and the value placed in words (103:100) shall be the native maximum address.

If a host protected area has been established by a Set Max Address Ext command, the device shall return command aborted.

#### Output parameters to the device

- B** Option bit for selection whether nonvolatile or volatile. B = 0 is volatile condition. When B=1, MAX LBA/CYL which is set by Set Max LBA/CYL command is preserved by POR. When B=0, MAX LBA/CYL which is set by Set Max LBA/CYL command will be lost by POR. B = 1 is not valid when the device is in Address Offset mode.
- Sector Number** In LBA mode this register contains LBA bits 0 - 7 which is to be set. (L=1)  
In CHS mode this register is ignored. (L=0)
- Cylinder High/Low** In LBA mode this register contains LBA bits 8 - 15 (Low), 16 - 23 (High) which is to be set. (L=1)  
In CHS mode this register contains cylinder number which is to be set. (L=0)
- H** In LBA mode this register contains LBA bits 24 - 27 which is to be set. (L=1)  
In CHS mode this register is ignored. (L=0)

#### Input parameters from the device

- Sector Number** In LBA mode this register contains max LBA bits 0 - 7 which is set. (L=1)  
In CHS mode this register contains max sector number. (L=0)
- Cylinder High/Low** In LBA mode this register contains max LBA bits 8 - 15 (Low), 16 - 23 (High) which is set. (L=1)  
In CHS mode this register contains max cylinder number which is set. (L=0)
- H** In LBA mode this register contains max LBA bits 24 - 27 which is set. (L=1)  
In CHS mode this register contains max head number. (L=0)

## 12.39.1 Set Max Set Password (Feature=01h)

Table 113: Set Max Set Password command

Command Block Output Registers								Command Block Input Registers									
Register	7	6	5	4	3	2	1	0	Register	7	6	5	4	3	2	1	0
Data	-	-	-	-	-	-	-	-	Data	-	-	-	-	-	-	-	-
Feature	0	0	0	0	0	0	0	1	Error	see below							
Sector Count	-	-	-	-	-	-	-	-	Sector Count	-	-	-	-	-	-	-	-
Sector Number	-	-	-	-	-	-	-	-	Sector Number	-	-	-	-	-	-	-	-
Cylinder Low	-	-	-	-	-	-	-	-	Cylinder Low	-	-	-	-	-	-	-	-
Cylinder High	-	-	-	-	-	-	-	-	Cylinder High	-	-	-	-	-	-	-	-
Device/Head	1	-	1	D	-	-	-	-	Device/Head	1	-	1	D	-	-	-	-
Command	1	1	1	1	1	0	0	1	Status	see below							

Error Register								Status Register							
7	6	5	4	3	2	1	0	7	6	5	4	3	2	1	0
CRC	UNC	0	IDN	0	ABT	T0N	AMN	BSY	RDY	DF	DSC	DRQ	COR	IDX	ERR
0	0	0	0	0	V	0	0	0	V	0	-	-	0	-	V

If this command is immediately preceded by a Read Native Max Address command, the device regards it as a Set Max Address command

This command requests a transfer of a single sector of data from the host including the information specified in the figure below.

The password is retained by the device until the next power cycle. When the device accepts this command, the device is in Set\_Max\_Unlocked state.

Table 114: Set Max Set Password data contents

Word	Description
00	Reserved
01-16	Password (32 bytes)
17-255	Reserved

## 12.39.2 Set Max Lock (Feature=02h)

Table 115: Set Max Lock command

Command Block Output Registers								Command Block Input Registers									
Register	7	6	5	4	3	2	1	0	Register	7	6	5	4	3	2	1	0
Data	-	-	-	-	-	-	-	-	Data	-	-	-	-	-	-	-	-
Feature	0	0	0	0	0	0	1	0	Error	see below							
Sector Count	-	-	-	-	-	-	-	-	Sector Count	-	-	-	-	-	-	-	-
Sector Number	-	-	-	-	-	-	-	-	Sector Number	-	-	-	-	-	-	-	-
Cylinder Low	-	-	-	-	-	-	-	-	Cylinder Low	-	-	-	-	-	-	-	-
Cylinder High	-	-	-	-	-	-	-	-	Cylinder High	-	-	-	-	-	-	-	-
Device/Head	1	-	1	D	-	-	-	-	Device/Head	1	-	1	D	-	-	-	-
Command	1	1	1	1	1	0	0	1	Status	see below							

Error Register								Status Register							
7	6	5	4	3	2	1	0	7	6	5	4	3	2	1	0
CRC	UNC	0	IDN	0	ABT	T0N	AMN	BSY	RDY	DF	DSC	DRQ	COR	IDX	ERR
0	0	0	0	0	V	0	0	0	V	0	-	-	0	-	V

If this command is immediately preceded by a Read Native Max Address command, the device regards it as a Read Native Max Address command.

This command sets the device into Set\_Max\_Locked state. After this command is completed, any other Set Max commands except Set Max Unlock and Set Max Freeze Lock are rejected. The device remains in this state until a power cycle or the acceptance of a Set Max Unlock or Set Max Freeze Lock command

### 12.39.3 Set Max Unlock (Feature = 03h)

Table 116: Set Max Unlock command (F9h)

Command Block Output Registers								Command Block Input Registers									
Register	7	6	5	4	3	2	1	0	Register	7	6	5	4	3	2	1	0
Data	-	-	-	-	-	-	-	-	Data	-	-	-	-	-	-	-	-
Feature	0	0	0	0	0	0	1	0	Error	see below							
Sector Count	-	-	-	-	-	-	-	-	Sector Count	-	-	-	-	-	-	-	-
Sector Number	-	-	-	-	-	-	-	-	Sector Number	-	-	-	-	-	-	-	-
Cylinder Low	-	-	-	-	-	-	-	-	Cylinder Low	-	-	-	-	-	-	-	-
Cylinder High	-	-	-	-	-	-	-	-	Cylinder High	-	-	-	-	-	-	-	-
Device/Head	1	-	1	D	-	-	-	-	Device/Head	1	-	1	D	-	-	-	-
Command	1	1	1	1	1	0	0	1	Status	see below							

Error Register								Status Register							
7	6	5	4	3	2	1	0	7	6	5	4	3	2	1	0
CRC	UNC	0	IDN	0	ABT	T0N	AMN	BSY	RDY	DF	DSC	DRQ	COR	IDX	ERR
0	0	0	0	0	V	0	0	0	V	0	-	-	0	-	V

If this command is immediately preceded by a Read Native Max Address command, the device regards it as Set Max Address command

This command requests a transfer of a single sector of data from the host including the information specified in Table 113: “Set Max Set Password command” on page 184 with the stored SET MAX password.

If the password compare fails, the device returns an abort error to the host and decrements the unlock attempt counter. This counter is initially set to 5 and is decremented for each password mismatch. When this counter reaches zero, all Set Max Unlock commands are rejected until a hard reset or a power off occurs.

If the password compare matches, the device sets the Set\_Max\_Unlocked state and all Set Max commands are accepted.

## 12.39.4 Set Max Freeze Lock (Feature = 04h)

Table 117: Set Max Freeze Lock (F9h)

Command Block Output Registers								Command Block Input Registers									
Register	7	6	5	4	3	2	1	0	Register	7	6	5	4	3	2	1	0
Data	-	-	-	-	-	-	-	-	Data	-	-	-	-	-	-	-	-
Feature	0	0	0	0	0	0	1	0	Error	see below							
Sector Count	-	-	-	-	-	-	-	-	Sector Count	-	-	-	-	-	-	-	-
Sector Number	-	-	-	-	-	-	-	-	Sector Number	-	-	-	-	-	-	-	-
Cylinder Low	-	-	-	-	-	-	-	-	Cylinder Low	-	-	-	-	-	-	-	-
Cylinder High	-	-	-	-	-	-	-	-	Cylinder High	-	-	-	-	-	-	-	-
Device/Head	1	-	1	D	-	-	-	-	Device/Head	1	-	1	D	-	-	-	-
Command	1	1	1	1	1	0	0	1	Status	see below							

Error Register								Status Register							
7	6	5	4	3	2	1	0	7	6	5	4	3	2	1	0
CRC	UNC	0	IDN	0	ABT	T0N	AMN	BSY	RDY	DF	DSC	DRQ	COR	IDX	ERR
0	0	0	0	0	V	0	0	0	V	0	-	-	0	-	V

If the Set Max Freeze Lock command is immediately preceded by a Read Native Max Address command, this command is regarded as a Set Max Address command.

The Set Max Freeze Lock command sets the device to Set\_Max\_Frozen state. After the completion of the command any subsequent Set Max commands are rejected. The following commands are disabled by Set Max Freeze Lock:

- Set Max Address
- Set Max Set PASSWORD
- Set Max Lock
- Set Max Unlock

## 12.40 Set Max Address Ext (37h)

Table 118: Set Max Address Ext command (37h)

Command Block Output Registers								Command Block Input Registers															
Register				7	6	5	4	3	2	1	0	Register				7	6	5	4	3	2	1	0
Data Low				-	-	-	-	-	-	-	-	Data Low				-	-	-	-	-	-	-	-
Data High				-	-	-	-	-	-	-	-	Data High				-	-	-	-	-	-	-	-
Feature	Current			-	-	-	-	-	-	-	-	Error				see below							
	Previous			-	-	-	-	-	-	-	-												
Sector Count	Current			-	-	-	-	-	-	-	B	Sector	HOB=0			-	-	-	-	-	-	-	-
	Previous			-	-	-	-	-	-	-	-	Count	HOB=1			-	-	-	-	-	-	-	-
Sector Number	Current			V	V	V	V	V	V	V	V	Sector	HOB=0			V	V	V	V	V	V	V	V
	Previous			V	V	V	V	V	V	V	V	Number	HOB=1			V	V	V	V	V	V	V	V
Cylinder Low	Current			V	V	V	V	V	V	V	V	Cylinder	HOB=0			V	V	V	V	V	V	V	V
	Previous			V	V	V	V	V	V	V	V	Low	HOB=1			V	V	V	V	V	V	V	V
Cylinder High	Current			V	V	V	V	V	V	V	V	Cylinder	HOB=0			V	V	V	V	V	V	V	V
	Previous			V	V	V	V	V	V	V	V	High	HOB=1			V	V	V	V	V	V	V	V
Device/Head				-	1	-	D	-	-	-	-	Device/Head				-	-	-	-	-	-	-	-
Command				0	0	1	1	0	1	1	1	Status				See below ...							

Error Register								Status Register							
7	6	5	4	3	2	1	0	7	6	5	4	3	2	1	0
CRC	UNC	0	IDN	0	ABT	T0N	AMN	BSY	RDY	DF	DSC	DRQ	COR	IDX	ERR
0	0	0	0	0	V	0	0	0	V	0	-	-	0	-	V

This command is immediately preceded by a Read Native Max Address Ext command.

This command overwrites the maximum number of Address of HDD in a range of actual device capacity. Once the device receives this command, all accesses beyond that Address are rejected with setting ABORT bit in status register.

When the address requested is greater than 268,435,455, words (103:100) shall be modified to reflect the requested value, but words (61:60) shall not be modified. When the address requested is equal to or less than 268,435,455, words (103:100) shall be modified to reflect the requested value, and words (61:60) shall also be modified.

If this command is not supported, the maximum value to be set exceeds the capacity of the device, a host protected area has been established by a Set Max Address command, the command is not immediately preceded by a Read Native Max Address Ext command, or the device is in the Set Max Locked or Set Max Frozen state, the device shall return command aborted.

If the device in Address Offset mode receives this command with the nonvolatile option, the device returns aborted error to the host.

The device returns the command aborted for a second non-volatile Set Max Address Ext command until next power on or hardware reset.



### Output parameters to the device

<b>B</b>	Option bit for selection whether nonvolatile or volatile. B=0 is volatile condition. When B=1, MAX Address which is set by the Set Max Address Ext command is preserved by POR. When B=0, MAX Address which is set by the Set Max Address Ext command will be lost by POR. B=1 is not valid when the device is in Address Offset mode.
<b>Sector Number Current</b>	Set Max LBA (7:0)
<b>Sector Number Previous</b>	Set Max LBA (31:24)
<b>Cylinder Low Current</b>	Set Max LBA (15:8)
<b>Cylinder Low Previous</b>	Set Max LBA (39:32)
<b>Cylinder High Current</b>	Set Max LBA (23:16)
<b>Cylinder High Previous</b>	Set Max LBA (47:40)

### Input parameters from the device

<b>Sector Number (HOB=0)</b>	Set Max LBA (7:0).
<b>Sector Number (HOB=1)</b>	Set Max LBA (31:24).
<b>Cylinder Low (HOB=0)</b>	Set Max LBA (15:8).
<b>Cylinder Low (HOB=1)</b>	Set Max LBA (39:32).
<b>Cylinder High (HOB=0)</b>	Set Max LBA (23:16).
<b>Cylinder High (HOB=1)</b>	Set Max LBA (47:40).

## 12.41 Set Multiple (C6h)

Table 119: Set Multiple command (C6h)

Command Block Output Registers								Command Block Input Registers									
Register	7	6	5	4	3	2	1	0	Register	7	6	5	4	3	2	1	0
Data	-	-	-	-	-	-	-	-	Data	-	-	-	-	-	-	-	-
Feature	-	-	-	-	-	-	-	-	Error	see below							
Sector Count	V	V	V	V	V	V	V	V	Sector Count	-	-	-	-	-	-	-	-
Sector Number	-	-	-	-	-	-	-	-	Sector Number	-	-	-	-	-	-	-	-
Cylinder Low	-	-	-	-	-	-	-	-	Cylinder Low	-	-	-	-	-	-	-	-
Cylinder High	-	-	-	-	-	-	-	-	Cylinder High	-	-	-	-	-	-	-	-
Device/Head	1	-	1	D	-	-	-	-	Device/Head	-	-	-	-	-	-	-	-
Command	1	1	0	0	0	1	1	0	Status	see below							

Error Register								Status Register							
7	6	5	4	3	2	1	0	7	6	5	4	3	2	1	0
CRC	UNC	0	IDN	0	ABT	T0N	AMN	BSY	RDY	DF	DSC	DRQ	COR	IDX	ERR
0	0	0	0	0	V	0	0	0	V	0	-	-	0	-	V

The Set Multiple command enables the device to perform Read and Write Multiple commands and establishes the block size for these commands. The block size is the number of sectors to be transferred for each interrupt.

If an invalid block size is specified, an Abort error will be returned to the host. The Read Multiple and Write Multiple commands will be disabled.

### Output parameters to the device

**Sector Count** This indicates the block size to be used for the Read Multiple and the Write Multiple commands. Valid block sizes can be selected from 0, 1, 2, 4, 8, or 16. If 0 is specified, then the Read Multiple and the Write Multiple commands are disabled.

## 12.42 Sleep (E6h/99h)

Table 120: Sleep command (E6h/99h)

Command Block Output Registers								Command Block Input Registers									
Register	7	6	5	4	3	2	1	0	Register	7	6	5	4	3	2	1	0
Data	-	-	-	-	-	-	-	-	Data	-	-	-	-	-	-	-	-
Feature	-	-	-	-	-	-	-	-	Error	see below							
Sector Count	-	-	-	-	-	-	-	-	Sector Count	-	-	-	-	-	-	-	-
Sector Number	-	-	-	-	-	-	-	-	Sector Number	-	-	-	-	-	-	-	-
Cylinder Low	-	-	-	-	-	-	-	-	Cylinder Low	-	-	-	-	-	-	-	-
Cylinder High	-	-	-	-	-	-	-	-	Cylinder High	-	-	-	-	-	-	-	-
Device/Head	1	-	1	D	-	-	-	-	Device/Head	-	-	-	-	-	-	-	-
Command	1	1	1	0	0	1	1	0	Status	see below							

Error Register								Status Register							
7	6	5	4	3	2	1	0	7	6	5	4	3	2	1	0
CRC	UNC	0	IDN	0	ABT	TON	AMN	BSY	RDY	DF	DSC	DRQ	COR	IDX	ERR
0	0	0	0	0	V	0	0	0	V	0	V	-	0	-	V

This command causes the device to enter Sleep Mode.

The device is spun down and the interface becomes inactive. If the device is already spun down, the spin down sequence is not executed.

A software reset or a hardware reset is the only way to recover from Sleep Mode.

## 12.43 S.M.A.R.T. Function Set (B0h)

Table 121: S.M.A.R.T. Function Set command (B0h)

Command Block Output Registers								Command Block Input Registers									
Register	7	6	5	4	3	2	1	0	Register	7	6	5	4	3	2	1	0
Data	-	-	-	-	-	-	-	-	Data	-	-	-	-	-	-	-	-
Feature	V	V	V	V	V	V	V	V	Error	see below							
Sector Count	V	V	V	V	V	V	V	V	Sector Count	-	-	-	-	-	-	-	-
Sector Number	-	-	-	-	-	-	-	-	Sector Number	-	-	-	-	-	-	-	-
Cylinder Low	0	1	0	0	1	1	1	1	Cylinder Low	-	-	-	-	-	-	-	-
Cylinder High	1	1	0	0	0	0	1	0	Cylinder High	-	-	-	-	-	-	-	-
Device/Head	1	-	1	D	-	-	-	-	Device/Head	-	-	-	-	-	-	-	-
Command	1	0	1	1	0	0	0	0	Status	see below							

Error Register								Status Register							
7	6	5	4	3	2	1	0	7	6	5	4	3	2	1	0
CRC	UNC	0	IDN	0	ABT	T0N	AMN	BSY	RDY	DF	DSC	DRQ	COR	IDX	ERR
0	V	0	V	0	V	0	V	0	V	0	V	-	0	-	V

The S.M.A.R.T. Function Set command provides access to the Attribute Values, the Attribute Thresholds, and other low level subcommands that can be used for logging and reporting purposes and to accommodate special user needs. The S.M.A.R.T. Function Set command has several separate subcommands which can be selected via the Features Register of the device when the S.M.A.R.T. Function Set command is issued by the host.

In order to select a subcommand the host must write the subcommand code to the Features Register of the device before issuing the S.M.A.R.T. Function Set command. The subcommands and their respective codes are listed below.

## 12.43.1 S.M.A.R.T. Function Subcommands

Code	Subcommand
D0h	S.M.A.R.T. Read Attribute Values
D1h	S.M.A.R.T. Read Attribute Thresholds
D2h	S.M.A.R.T. Enable/disable Attribute Autosave
D3h	S.M.A.R.T. Save Attribute Values
D4h	S.M.A.R.T. Execute Off-line Immediate
D5h	S.M.A.R.T. Read Log Sector
D6h	S.M.A.R.T. Write Log Sector
D8h	S.M.A.R.T. Enable Operations
D9h	S.M.A.R.T. Disable Operations
DAh	S.M.A.R.T. Return Status
DBh	S.M.A.R.T. Enable/Disable Automatic Off-line

### 12.43.1.1 S.M.A.R.T. Read Attribute Values (subcommand D0h)

This subcommand returns the Attribute Values of the device to the host. Upon receipt of the S.M.A.R.T. Read Attribute Values subcommand from the host, the device saves any updated Attribute Values to the Attribute Data sectors and then transfer the 512 bytes of Attribute Value information to the host.

### 12.43.1.2 S.M.A.R.T. Read Attribute Thresholds (subcommand D1h)

This subcommand returns the Attribute Thresholds of the device to the host. Upon receipt of the SMART Read Attribute Thresholds subcommand from the host, the device reads the Attribute Thresholds from the Attribute Threshold sectors and then transfers the 512 bytes of Attribute Thresholds information to the host.

### 12.43.1.3 S.M.A.R.T. Enable/Disable Attribute Autosave (subcommand D2h)

This subcommand enables and disables the Attribute Autosave feature of the device. The S.M.A.R.T. Enable/Disable Attribute Autosave subcommand allows the device to automatically save its updated Attribute Values to the Attribute Data Sector periodically or causes the Autosave feature to be disabled. The state of the Attribute Autosave feature—either enabled or disabled—will be preserved by the device across the power cycle.

A value of 00h written by the host into the Sector Count Register of the device before issuing the S.M.A.R.T. Enable/Disable Attribute Autosave subcommand will cause this feature to be disabled. Disabling this feature does not preclude the device from saving Attribute Values to the Attribute Data sectors during another normal operation such as a power-up or a power-down.

A value of F1h written by the host into the device's Sector Count Register before issuing the S.M.A.R.T. Enable/Disable Attribute Autosave subcommand will cause this feature to be enabled. Any other nonzero value written by the host into this register before issuing the S.M.A.R.T. Enable/Disable Attribute Autosave subcommand will not change the current Autosave status. However the device will respond with the error code specified in Table 134: “S.M.A.R.T. Error Codes” on page 206.

The S.M.A.R.T. Disable Operations subcommand disables the Autosave feature along with the S.M.A.R.T. operations of the device.

Upon the receipt of the subcommand from the host, the device asserts BSY, enables or disables the Autosave feature, clears BSY, and asserts INTRQ.

#### 12.43.1.4 S.M.A.R.T. Save Attribute Values (subcommand D3h)

This subcommand causes the device to immediately save any updated Attribute Values to the device's Attribute Data sector regardless of the state of the Attribute Autosave feature. Upon receipt of the S.M.A.R.T. Save Attribute Values subcommand from the host, the device asserts BSY, writes any updated Attribute Values to the Attribute Data sector, clears BSY, and asserts INTRQ.

#### 12.43.1.5 S.M.A.R.T. Execute Off-line Immediate (subcommand D4h)

This subcommand causes the device to immediately initiate the set of activities that collect Attribute data in an off-line mode (off-line routine) or execute a self-test routine in either captive or off-line mode. The Sector Number register shall be set to specify the operation to be executed.

Sector Number	Operation to be executed
0	Execute S.M.A.R.T. off-line data collection routine immediately
1	Execute S.M.A.R.T. Short self-test routine immediately in off-line mode
2	Execute S.M.A.R.T. Extended self-test routine immediately in off-line mode
127	Abort off-line mode self-test routine
129	Execute S.M.A.R.T. Short self-test routine immediately in captive mode
130	Execute S.M.A.R.T. Extended self-test routine immediately in captive mode
132	Execute SMART Selective self-test routine immediately in captive mode

**Off-line mode:** The device executes command completion before executing the specified routine. During execution of the routine the device will not set BSY nor clear DRDY. If the device is in the process of performing its routine and is interrupted by a new command from the host, the device will abort or suspend its routine and service the host within two seconds after receipt of the new command. After servicing the interrupting command, the device will resume its routine automatically or not start its routine depending on the interrupting command.

**Captive mode:** When executing self-test in captive mode, the device sets BSY to one and executes the specified self-test routine after receipt of the command. At the end of the routine the device sets the execution result in the Self-test execution status byte (see Table 122: “Device Attribute Data Structure” on page 197) and ATA registers as defined below and then executes the command completion.

Status	Set ERR to one when the self-test has failed
Error	Set ABRT to one when the self-test has failed
Cyl Low	Set to F4h when the self-test has failed
Cyl High	Set to 2Ch when the self-test has failed

#### 12.43.1.6 S.M.A.R.T. Read Log Sector (subcommand D5h)

This command returns the specified log sector contents to the host.

The 512 bytes of data are returned at a command and the Sector Count value shall be set to one. The Sector Number shall be set to specify the log sector address.

Log sector address	Content	Type
00h	Log directory	Read Only

01h	S.M.A.R.T. Error Log	Read Only
03h	Extended Comprehensive SMART Error Log	See note
06h	S.M.A.R.T. Self-test Log	Read Only
07h	Extended Self-test Log	See note
80h-9Fh	Host vendor specific	Read/Write

*Note:* Log addresses 03h and 07h are used by the Read Log Ext and Write Log Ext commands. If these log addresses are used with the SMART Read Log Sector command, the device shall return command aborted.

#### **12.43.1.7 S.M.A.R.T. Write Log Sector (subcommand D6h)**

This command writes 512 bytes of data to the specified log sector.

The 512 bytes of data are transferred at a command and the Sector Count value shall be set to one. The Sector Number shall be set to specify the log sector address as shown above. If a Read Only log sector is specified, the device returns ABRT error.

#### **12.43.1.8 S.M.A.R.T. Enable Operations (subcommand D8h)**

This subcommand enables access to all S.M.A.R.T. capabilities within the device. Prior to receipt of a S.M.A.R.T. Enable Operations subcommand, Attribute Values are neither monitored nor saved by the device. The state of S.M.A.R.T.—either enabled or disabled—will be preserved by the device across power cycles. When enabled, the receipt of subsequent S.M.A.R.T. Enable Operations subcommands will not affect any of the Attribute Values.

Upon receipt of the SMART Enable Operations subcommand from the host the device enables S.M.A.R.T. capabilities and functions and then saves any updated Attribute Values to the Attribute Data sector.

#### **12.43.1.9 S.M.A.R.T. Disable Operations (subcommand D9h)**

This subcommand disables all S.M.A.R.T. capabilities within the device including the attribute Autosave feature of the device. After receipt of this subcommand the device disables all S.M.A.R.T. operations. Non self-preserved Attribute Values will no longer be monitored. The state of S.M.A.R.T.—either enabled or disabled—is preserved by the device across power cycles.

Upon receipt of the S.M.A.R.T. Disable Operations subcommand from the host, the device asserts BSY, disables S.M.A.R.T. capabilities and functions, clears BSY, and asserts INTRQ.

After receipt of the device of the S.M.A.R.T. Disable Operations subcommand from the host, all other S.M.A.R.T. subcommands—with the exception of S.M.A.R.T. Enable Operations—are disabled and invalid and will be aborted by the device—including the S.M.A.R.T. Disable Operations subcommand—returning the error code as specified in Table 134: “S.M.A.R.T. Error Codes” on page 206.

Any Attribute Values accumulated and saved to volatile memory prior to receipt of the S.M.A.R.T. Disable Operations command will be preserved in the device's Attribute Data Sectors. If the device is re-enabled, these Attribute Values will be updated, as needed, upon receipt of a S.M.A.R.T. Read Attribute Values or a S.M.A.R.T. Save Attribute Values command.

#### **12.43.1.10 S.M.A.R.T. Return Status (subcommand DAh)**

This command is used to communicate the reliability status of the device upon the request of the host. Upon receipt of the SMART Return Status subcommand the device saves any updated Pre-failure type Attribute Values to the reserved sector and compares the updated Attribute Values to the Attribute Thresholds.

If the device does not detect a Threshold Exceeded Condition, the device loads 4Fh into the Cylinder Low register and C2h into the Cylinder High register.

If the device detects a Threshold Exceeded Condition, the device loads F4h into the Cylinder Low register and 2Ch into the Cylinder High register.

#### **12.43.1.11 S.M.A.R.T. Enable/Disable Automatic Off-line (subcommand DBh)**

This subcommand enables and disables the optional feature that causes the device to perform the set of off-line data collection activities that automatically collect attribute data in an off-line mode and then saves this data to the non-volatile memory of the device. This subcommand may either cause the device to automatically initiate or resume performance of its off-line data collection activities or cause the Automatic Off-line Data Collection feature to be disabled.

A value of zero written by the host into the Sector Count register of the device before issuing this subcommand causes the feature to be disabled. Disabling this feature does not preclude the device from saving attribute values to nonvolatile memory during some other normal operation such as during a power-on or power-off sequence or during an error recovery sequence.

A value of F8h written by the host into the Sector Count register of the device before issuing this subcommand causes this feature to be enabled. Any other nonzero value written by the host into this register before issuing this subcommand is vendor specific and does not change the current Automatic Off-line Data Collection status, but the device may respond with the error code specified in Table 134: “S.M.A.R.T. Error Codes” on page 206.



## 12.43.2 Device Attribute Data Structure

The following defines the 512 bytes that make up the Attribute Value information. This data structure is accessed by the host in its entirety using the S.M.A.R.T. Read Attribute Values subcommand. All multibyte fields shown in these data structures are in byte ordering, that is, the least significant byte occupies the lowest numbered byte address location in the field.

**Table 122: Device Attribute Data Structure**

Description	Byte	Offset	Format	Value
Data Structure Revision Number	2	00h	binary	0010h
1st Device Attribute	12	02h	(*1)	
...				
30th Device Attribute	12	15Eh	(*1)	
Off-line data collection status	1	16Ah	(*1)	
Self-test execution status	1	16Bh	(*1)	
Total time in seconds to complete off-line data collection activity	2	16Ch	(*1)	
Current segment pointer	1	16Eh	(*1)	
Off-line data collection capability	1	16Fh	(*1)	1Bh
S.M.A.R.T. capability	2	170h	(*1)	0003h
S.M.A.R.T. device error logging capability	1	172h	(*1)	01h
Self-test failure check point	1	173h	(*1)	
Short self-test completion time in minutes	1	174h	(*1)	
Extended self-test completion time in minutes	1	175h	(*1)	
Reserved	12	176h		
Vendor specific	125	182h		
Data structure checksum	1	1FFh	(*1)	
	512			

### 12.43.2.1 Data Structure Revision Number

The Data Structure Revision Number identifies which version of this data structure is implemented by the device. This revision number identifies both the Attribute Value and Attribute Threshold Data structures.

### 12.43.2.2 Individual Attribute Data Structure

The following defines the 12 bytes that make up the information for each Attribute entry in the Device Attribute Data Structure.

**Table 123: Individual Attribute Data Structure**

Description	Byte	Offset
Attribute ID Number (01h to FFh)	1	00h
Status Flags	2	01h
Attribute Value (valid values from 01h to FDh)	1	03h
Vendor Specific	8	04h
Total Bytes	12	

**Attribute ID Numbers:** Any nonzero value in the Attribute ID Number indicates an active attribute. The device supports following Attribute ID Numbers.

ID	Attribute Name
0	Indicates that this entry in the data structure is not used
1	Raw Read Error Rate
2	Throughput Performance
3	Spin Up Time
4	Start/Stop Count
5	Reallocated Sector Count
7	Seek Error Rate
8	Seek Time Performance
9	Power-On Hours Count
10	Spin Retry Count
12	Device Power Cycle Count
192	Power Off Retract Count
193	Load Cycle Count
194	Device Temperature
196	Reallocation Event Count
197	Current Pending Sector Count
198	Off-Line Scan Uncorrectable Sector Count
199	Ultra DMA CRC Error Count

**Status Flag Definition**

Bit	Definition
<b>0</b>	Pre-failure/advisory bit <b>0</b> An attribute value less than or equal to its corresponding attribute threshold indicates an advisory condition where the usage or age of the device has exceeded its intended design life period. <b>1</b> An attribute value less than or equal to its corresponding attribute threshold indicates a pre-Failure condition where imminent loss of data is being predicted
<b>1</b>	On-line Collective bit <b>0</b> The attribute value is updated only during Off-line testing. <b>1</b> The attribute value is updated during On-line testing or during both On-line and Off-line testing.
<b>2 - 5</b>	Vendor specific
<b>6-15</b>	Reserved (0)

**Normalized values:** The device performs conversion of the raw Attribute Values to transform them into normalized values which the host can then compare with the Threshold values. A Threshold is the excursion limit for a normalized Attribute Value.

**12.43.2.3 Off-Line Data Collection Status**

The value of this byte defines the current status of the off-line activities of the device. Bit 7 indicates an Automatic Off-line Data Collection Status.

- Bit 7** Automatic Off-line Data Collection Status
- 0** Automatic Off-line Data Collection is disabled.
  - 1** Automatic Off-line Data Collection is enabled.

**Bits 0–6** represent a hexadecimal status value reported by the device.

Value	Definition
0	Off-line data collection never started.
2	All segments completed without errors.
4	Off-line data collection is suspended by the interrupting command.
5	Off-line data collecting is aborted by the interrupting command.
6	Off-line data collection is aborted with a fatal error.

#### 12.43.2.4 Self-test execution status

Bit	Definition
0-3	Percent Self-test remaining. An approximation of the percent of the self-test routine remaining until completion given in increments of ten percent. Valid values are 0 through 9.
4-7	Current Self-test execution status. <ul style="list-style-type: none"> <li><b>0</b> The self-test routine completed without error or has never been run.</li> <li><b>1</b> The self-test routine was aborted by the host.</li> <li><b>2</b> The self-test routine was interrupted by the host with a hard or soft reset.</li> <li><b>3</b> The device was unable to complete the self-test routine due to a fatal error or unknown test error.</li> <li><b>4</b> The self-test routine was completed with an unknown element failure.</li> <li><b>5</b> The self-test routine was completed with an electrical element failure.</li> <li><b>6</b> The self-test routine was completed with a servo element failure.</li> <li><b>7</b> The self-test routine was completed with a read element failure.</li> </ul>
15	The self-test routine is in progress.

#### 12.43.2.5 Total time in seconds to complete off-line data collection activity

This field tells the host how many seconds the device requires to complete the off-line data collection activity.

#### 12.43.2.6 Off-line data collection capability

Bit	Definition
0	Execute Off-line Immediate implemented bit <ul style="list-style-type: none"> <li><b>0</b> S.M.A.R.T. Execute Off-line Immediate subcommand is not implemented</li> <li><b>1</b> S.M.A.R.T. Execute Off-line Immediate subcommand is implemented</li> </ul>
1	Enable/disable Automatic Off-line implemented bit <ul style="list-style-type: none"> <li><b>0</b> S.M.A.R.T. Enable/disable Automatic Off-line subcommand is not implemented</li> <li><b>1</b> S.M.A.R.T. Enable/disable Automatic Off-line subcommand is implemented</li> </ul>
2	Abort/restart off-line by host bit <ul style="list-style-type: none"> <li><b>0</b> The device will suspend off-line data collection activity after an interrupting command and resume it after a vendor specific event</li> <li><b>1</b> The device will abort off-line data collection activity upon receipt of a new command</li> </ul>

- 3 Off-line Read Scanning implemented bit
  - 0 The device does not support Off-line Read Scanning
  - 1 The device supports Off-line Read Scanning
- 4 Self-test implemented bit
  - 0 Self-test routine is not implemented
  - 1 Self-test routine is implemented
- 5-7 Reserved (0)
- 6 Selective self-test routine is not implemented
  - 0 Selective self-test routine is not implemented
  - 1 Selective self-test routine is implemented

### 12.43.2.7 S.M.A.R.T. Capability

This word of bit flags describes the S.M.A.R.T. capabilities of the device. The device will return 03h indicating that the device will save its Attribute Values prior to going into a power saving mode and supports the S.M.A.R.T. ENABLE/DISABLE ATTRIBUTE AUTOSAVE command.

Bit	Definition
0	Pre-power mode attribute saving capability. If bit = 1, the device will save its Attribute Values prior to going into a power saving mode (Standby or Sleep mode).
1	Attribute Autosave capability. If bit = 1, the device supports the S.M.A.R.T. ENABLE/ DISABLE ATTRIBUTE AUTOSAVE command.
2-15	Reserved (0)

### 12.43.2.8 Error logging capability

Bit	Definition
7-1	Reserved (0)
0	The Error Logging support bit. If bit = 1, the device supports the Error Logging

### 12.43.2.9 Self-test failure check point

This byte indicates the section of self-test where the device detected a failure.

### 12.43.2.10 Self-test completion time

These bytes are the minimum time in minutes to complete the self-test.

### 12.43.2.11 Data Structure Checksum

The Data Structure Checksum is the 2's complement of the result of a simple 8-bit addition of the first 511 bytes in the data structure.

## 12.43.3 Device Attribute Thresholds data structure

The following defines the 512 bytes that make up the Attribute Threshold information. This data structure is accessed by the host in its entirety using the S.M.A.R.T. Read Attribute Thresholds. All multibyte fields shown in these data structures are in byte ordering, that is, that the least significant byte occupies the lowest numbered byte address location in the field.

The sequence of active Attribute Thresholds will appear in the same order as their corresponding Attribute Values.

**Table 124: Device Attribute Thresholds Data Structure**

Description	Byte	Offset	Value
Data Structure Revision Number	2	00h	0010h
1st Device Attribute	12	02h	
...	..		
30th Device Attribute	12	15Eh	
Reserved	18	16Ah	00h
Vendor specific	131	17Ch	00h
Data structure checksum	1	1FFh	
	512		

### 12.43.3.1 Data Structure Revision Number

This value is the same as the value used in the Device Attributes Values Data Structure.

### 12.43.3.2 Individual Thresholds Data Structure

The following defines the 12 bytes that make up the information for each Threshold entry in the Device Attribute Thresholds Data Structure. Attribute entries in the Individual Threshold Data Structure are in the same order and correspond to the entries in the Individual Attribute Data Structure.

**Table 125: Individual Threshold Data Structure**

Description	Byte	Offset
Attribute ID Number (01h to FFh)	1	00h
Attribute Threshold	1	01h
Reserved (00h)	10	02h
Total Bytes	12	

### 12.43.3.3 Attribute ID Numbers

Attribute ID Numbers supported by the device are the same as Attribute Values Data Structures.

### 12.43.3.4 Attribute Threshold

These values are preset at the factory and are not meant to be changeable.

### 12.43.3.5 Data Structure Checksum

The Data Structure Checksum is the two's complement of the result of a simple 8-bit addition of the first 511 bytes in the data structure.

## 12.43.4 S.M.A.R.T. Log Directory

The following table defines the 512 bytes that make up the S.M.A.R.T. Log Directory. The S.M.A.R.T. Log Directory is S.M.A.R.T. Log Address zero and is defined as one sector long.

**Table 126: S.M.A.R.T. Log Directory**

Description	Byte	Offset
S.M.A.R.T. Logging Version	2	00h
Number of sectors in the log at log address 1	1	02h
Reserved	1	03h
Number of sectors in the log at log address 2	1	04h
Reserved	1	05h
...	...	...
Number of sectors in the log at log address 255	1	1FEh
Reserved	1	1FFh
	512	

The value of the S.M.A.R.T. Logging Version word shall be 01h. The logs at log addresses 80-9Fh shall each be defined as 16 sectors long.

## 12.43.5 S.M.A.R.T. summary error log sector

The following figure defines the 512 bytes that make up the SMART summary error log sector. All multibyte fields shown in this data structure follow the ATA/ATAPI-6 specifications for byte ordering.

**Table 127: S.M.A.R.T. summary error log sector**

Description	Byte	Offset
S.M.A.R.T. error log version	1	00h
Error log pointer	1	01h
1st error log data structure	90	02h
2nd error log data structure	90	5Ch
3rd error log data structure	90	B6h
4th error log data structure	90	110h
5th error log data structure	90	16Ah
Device error count	2	1C4h
Reserved	57	1C6h
Data structure checksum	1	1FFh
	512	

### 12.43.5.1 S.M.A.R.T. error log version

This value is set to 01h.

### 12.43.5.2 Error log pointer

This points to the most recent error log data structure. Only values 1 through 5 are valid.

### 12.43.5.3 Device error count

This field contains the total number of errors. The value will not roll over.

#### 12.43.5.4 Error log data structure

The data format of each error log data structure is shown below.

**Table 128: Error log data structure**

Description	Byte	Offset
1st command data structure	12	00h
2nd command data structure	12	0Ch
3rd command data structure	12	18h
4th command data structure	12	24h
5th command data structure	12	30h
Error data structure	30	3Ch
	90	

#### 12.43.5.5 Command data structure

Data format of each command data structure is shown below.

**Table 129: Command data structure**

Description	Byte	Offset
Device Control register	1	00h
Features register	1	01h
Sector count register	1	02h
Sector number register	1	03h
Cylinder Low register	1	04h
Cylinder High register	1	05h
Device/Head register	1	06h
Command register	1	07h
Time stamp (ms from Power On)	4	08h
	12	

#### 12.43.5.6 Error data structure

Data format of error data structure is shown below.

**Table 130: Error data structure**

Description	Byte	Offset
Reserved	1	00h
Error register	1	01h
Sector count register	1	02h
Sector number register	1	03h
Cylinder Low register	1	04h
Cylinder High register	1	05h
Device/Head register	1	06h
Status register	1	07h
Extended error data (vendor specific)	19	08h
State	1	1Bh

Life time stamp (hours)	2	1Ch
	30	

The state field contains a value indicating the device state when command was issued to the device.

Value	State
x0h	Unknown
x1h	Sleep
x2h	Standby
x3h	Active/Idle
x4h	S.M.A.R.T. Off-line or Self-test
x5h-xAh	Reserved
xBh-xFh	Vendor specific

The value of 'x' is vendor specific

### 12.43.6 Self-test log data structure

The following table defines the 512 bytes that make up the Self-test log sector. All multibyte fields shown in these data structures follow the ATA/ATAPI-5 specifications for byte ordering.

**Table 131: Self-test log data structure**

Description	Byte	Offset
Data structure revision	2	00h
Self-test number	1	n*18h+02h
Self-test execution status	1	n*18h+03h
Life time power on hours	2	n*18h+04h
Self-test failure check point	1	n*18h+06h
LBA of first failure	4	n*18h+07h
Vendor specific	15	n*18h+08h
...		
Vendor specific	2	1FAh
Self-test log pointer	1	1FCh
Reserved	2	1FDh
Data structure checksum	1	1FFh
	512	

*Note:* N is 0 through 20

The data structure contains the descriptor of the Self-test that the device has performed. Each descriptor is 24 bytes long and the self-test data structure is capable to contain up to 21 descriptors.

After 21 descriptors has been recorded, the oldest descriptor will be overwritten with the new descriptor.

The self-test log index points to the most recent descriptor. When there is no descriptor, the value is 0. When there are one or more descriptors, the value is 1 through 21.



## 12.43.7 Selective self-test log Data Structure

The Selective self-test log is a log that may be both written and read by the host. This log allows the host to select the parameters for the self-test and to monitor the progress of the self-test. The following table defines the contents of the Selective self-test log which is 512 bytes long. All multi-byte fields shown in these data structures follow the ATA/ATAPI-7 specifications for byte ordering.

**Table 132: Selective self-test log Data Structure**

Description	Bytes	Offset	Read/Write
Data structure revision	2	00h	R/W
Starting LBA for test span 1	8	02h	R/W
Ending LBA for test span 1	8	0Ah	R/W
Starting LBA for test span 2	8	12h	R/W
Ending LBA for test span 2	8	1Ah	R/W
Starting LBA for test span 3	8	22h	R/W
Ending LBA for test span 3	8	2Ah	R/W
Starting LBA for test span 4	8	32h	R/W
Ending LBA for test span 4	8	3Ah	R/W
Starting LBA for test span 5	8	42h	R/W
Ending LBA for test span 5	8	4Ah	R/W
Reserved	256	52h	Reserved
Vendor specific	154	152h	Vendor specific
Current LBA under test	8	1Ech	Read
Current span under test	2	1F4h	Read
Feature flags	2	1F6h	R/W
Vendor specific	4	1F8h	Vendor specific
Selective self-test pending time	2	1FCh	R/W
Reserved	1	1Feh	Reserved
Data structure checksum	1	1FFh	R/W
	512		

### 12.43.7.1 Feature flags

The Feature flags define the features of Selective self-test to be executed.

**Table 133: Selective self-test feature flags**

Bit	Description
0	Vendor specific
1	When set to one, perform off-line scan after selective test.
2	Vendor specific
3	When set to one, off-line scan after selective test is pending.
4	When set to one, off-line scan after selective test is active.
5-15	Reserved.

## 12.43.8 Error reporting

The following table shows the values returned in the Status and Error Registers when specific error conditions are encountered by a device.

**Table 134: S.M.A.R.T. Error Codes**

Error condition	Status Register	Error Register
A S.M.A.R.T. FUNCTION SET command was received by the device without the required key being loaded into the Cylinder High and Cylinder Low registers.	51h	04h
A S.M.A.R.T. FUNCTION SET command was received by the device with a subcommand value in the Features Register that is either invalid or not supported by this device.	51h	04h
A S.M.A.R.T. FUNCTION SET command subcommand other than S.M.A.R.T. ENABLE OPERATIONS was received by the device while the device was in a "S.M.A.R.T. Disabled" state.	51h	04h
The device is unable to read its Attribute Values or Attribute Thresholds data structure	51h	10h or 40h
The device is unable to write to its Attribute Values data structure.	51h	10h

## 12.44 Standby (E2h/96h)

Table 135: Standby (E2h/96h)

Command Block Output Registers								Command Block Input Registers									
Register	7	6	5	4	3	2	1	0	Register	7	6	5	4	3	2	1	0
Data	-	-	-	-	-	-	-	-	Data	-	-	-	-	-	-	-	-
Feature	-	-	-	-	-	-	-	-	Error	see below							
Sector Count	V	V	V	V	V	V	V	V	Sector Count	-	-	-	-	-	-	-	-
Sector Number	-	-	-	-	-	-	-	-	Sector Number	-	-	-	-	-	-	-	-
Cylinder Low	-	-	-	-	-	-	-	-	Cylinder Low	-	-	-	-	-	-	-	-
Cylinder High	-	-	-	-	-	-	-	-	Cylinder High	-	-	-	-	-	-	-	-
Device/Head	1	-	1	D	-	-	-	-	Device/Head	-	-	-	-	-	-	-	-
Command	1	1	1	0	0	0	1	0	Status	see below							

Error Register								Status Register							
7	6	5	4	3	2	1	0	7	6	5	4	3	2	1	0
CRC	UNC	0	IDN	0	ABT	TON	AMN	BSY	RDY	DF	DSC	DRQ	COR	IDX	ERR
0	0	0	0	0	V	0	0	0	V	0	V	-	0	-	V

The Standby command causes the device to enter the Standby Mode immediately and to set the auto power down time-out parameter (standby timer).

When the Standby mode is entered, the drive is spun down but the interface remains active. If the drive is already spun down, the spin down sequence is not executed.

During the Standby mode the drive will respond to commands but there is a delay while waiting for the spindle to reach operating speed.

The automatic power down sequence is enabled and the timer starts counting down when the drive returns to Idle mode

### Output parameters to the device

Sector Count Time-out Parameter. If it is 0, the time-out interval (Standby Timer) is NOT disabled. If it is non-zero, the automatic power down sequence is enabled. The time-out interval is shown below.

Value	Time-out
0	Timer disabled
1-240	Value x 5 seconds
241-251	(Value-240) x 30 minutes
252	21 minutes
253	8 hours
254	21 minutes 10 seconds
255	21 minutes 15 seconds

When the automatic power down sequence is enabled, the device will enter the Standby mode automatically if the time-out interval expires with no device access from the host. The time-out interval will be reinitialized if there is a drive access before the time-out interval expires.

## 12.45 Standby Immediate (E0h/94h)

Table 136: Standby Immediate (E0h/94h)

Command Block Output Registers								Command Block Input Registers									
Register	7	6	5	4	3	2	1	0	Register	7	6	5	4	3	2	1	0
Data	-	-	-	-	-	-	-	-	Data	-	-	-	-	-	-	-	-
Feature	-	-	-	-	-	-	-	-	Error	see below							
Sector Count	-	-	-	-	-	-	-	-	Sector Count	-	-	-	-	-	-	-	-
Sector Number	-	-	-	-	-	-	-	-	Sector Number	-	-	-	-	-	-	-	-
Cylinder Low	-	-	-	-	-	-	-	-	Cylinder Low	-	-	-	-	-	-	-	-
Cylinder High	-	-	-	-	-	-	-	-	Cylinder High	-	-	-	-	-	-	-	-
Device/Head	1	-	1	D	-	-	-	-	Device/Head	-	-	-	-	-	-	-	-
Command	1	1	1	0	0	0	0	0	Status	see below							

Error Register								Status Register							
7	6	5	4	3	2	1	0	7	6	5	4	3	2	1	0
CRC	UNC	0	IDN	0	ABT	T0N	AMN	BSY	RDY	DF	DSC	DRQ	COR	IDX	ERR
0	0	0	0	0	V	0	0	0	V	0	V	-	0	-	V

The Standby Immediate command causes the device to enter the Standby mode immediately.

The device is spun down but the interface remains active. If the device is already spun down, the spin down sequence is not executed.

During the Standby mode the device will respond to commands, however there will be a delay while waiting for the spindle to reach operating speed.

The Standby Immediate command will not affect the auto power down time-out parameter.

## 12.46 Write Buffer (E8h)

Table 137: Write Buffer (E8h)

Command Block Output Registers								Command Block Input Registers									
Register	7	6	5	4	3	2	1	0	Register	7	6	5	4	3	2	1	0
Data	-	-	-	-	-	-	-	-	Data	-	-	-	-	-	-	-	-
Feature	-	-	-	-	-	-	-	-	Error	see below							
Sector Count	-	-	-	-	-	-	-	-	Sector Count	-	-	-	-	-	-	-	-
Sector Number	-	-	-	-	-	-	-	-	Sector Number	-	-	-	-	-	-	-	-
Cylinder Low	-	-	-	-	-	-	-	-	Cylinder Low	-	-	-	-	-	-	-	-
Cylinder High	-	-	-	-	-	-	-	-	Cylinder High	-	-	-	-	-	-	-	-
Device/Head	1	-	1	D	-	-	-	-	Device/Head	-	-	-	-	-	-	-	-
Command	1	1	1	0	1	0	0	0	Status	see below							

Error Register								Status Register							
7	6	5	4	3	2	1	0	7	6	5	4	3	2	1	0
CRC	UNC	0	IDN	0	ABT	TON	AMN	BSY	RDY	DF	DSC	DRQ	COR	IDX	ERR
0	0	0	0	0	V	0	0	0	V	0	-	-	0	-	V

The Write Buffer command transfers a sector of data from the host to the sector buffer of the device. The sectors of data are transferred through the Data Register 16 bits at a time.

The Read Buffer and Write Buffer commands are synchronized such that sequential Write Buffer and Read Buffer commands access the same 512 byte within the buffer.

## 12.47 Write DMA (CAh/CBh)

Table 138: Write DMA (CAh/CBh)

Command Block Output Registers								Command Block Input Registers									
Register	7	6	5	4	3	2	1	0	Register	7	6	5	4	3	2	1	0
Data	-	-	-	-	-	-	-	-	Data	-	-	-	-	-	-	-	-
Feature	-	-	-	-	-	-	-	-	Error	see below							
Sector Count	V	V	V	V	V	V	V	V	Sector Count	V	V	V	V	V	V	V	V
Sector Number	V	V	V	V	V	V	V	V	Sector Number	V	V	V	V	V	V	V	V
Cylinder Low	V	V	V	V	V	V	V	V	Cylinder Low	V	V	V	V	V	V	V	V
Cylinder High	V	V	V	V	V	V	V	V	Cylinder High	V	V	V	V	V	V	V	V
Device/Head	1	L	1	D	H	H	H	H	Device/Head	-	-	-	-	H	H	H	H
Command	1	1	0	0	1	0	1	R	Status	see below							

Error Register								Status Register							
7	6	5	4	3	2	1	0	7	6	5	4	3	2	1	0
CRC	UNC	0	IDN	0	ABT	T0N	AMN	BSY	RDY	DF	DSC	DRQ	COR	IDX	ERR
V	0	0	V	0	V	0	0	0	V	0	V	-	0	-	V

The Write DMA command transfers one or more sectors of data from the host to the device and then the data is written to the disk media.

The sectors of data are transferred through the Data Register 16 bits at a time.

The host initializes a slave-DMA channel prior to issuing the command. Data transfers are qualified by DMARQ and are performed by the slave-DMA channel. The device issues only one interrupt per command to indicate that data transfer has terminated and status is available.

If an uncorrectable error occurs, the write will be terminated at the failing sector.

### Output parameters to the device

- Sector Count** This indicates the number of continuous sectors to be transferred. If zero is specified, then 256 sectors will be transferred.
- Sector Number** This indicates the sector number of the first sector to be transferred. (L = 0) In LBA mode this register contains the LBA bits 0–7. (L = 1)
- Cylinder High/Low** This indicates number of the first sector to be transferred. (L = 0) In LBA mode this register contains the LBA bits 8–15 (Low) and bits 16–23 (High). (L = 1)
- H** This indicates the head number of the first sector to be transferred. (L = 0) In LBA mode this register contains the LBA bits 24–27. (L = 1)
- R** This indicates the retry bit. This bit is ignored.

### Input parameters from the device

- Sector Count** This indicates the number of requested sectors not transferred. The Sector Count will be zero unless an unrecoverable error occurs.

- Sector Number** This indicates the sector number of the last transferred sector. (L = 0) In LBA mode this register contains the current LBA bits 0–7. (L = 1)
- Cylinder High/Low** This indicates the cylinder number of the last transferred sector. (L = 0) In LBA mode this register contains the current LBA bits 8–15 (Low) and bits 16–23 (High). (L = 1)
- H** This indicates the head number of the last transferred sector. (L = 0) In LBA mode this register contains the current LBA bits 24–27. (L = 1)

## 12.48 Write DMA FUA Ext (3Dh)

Table 139: Write DMA FUA Ext Command (3Dh)

Command Block Output Registers								Command Block Input Registers									
Register	7	6	5	4	3	2	1	0	Register	7	6	5	4	3	2	1	0
Data	-	-	-	-	-	-	-	-	Data	-	-	-	-	-	-	-	-
Feature	-	-	-	-	-	-	-	-	Error	see below							
Sector Count	V	V	V	V	V	V	V	V	Sector Count	V	V	V	V	V	V	V	V
Sector Number	V	V	V	V	V	V	V	V	Sector Number	V	V	V	V	V	V	V	V
Cylinder Low	V	V	V	V	V	V	V	V	Cylinder Low	V	V	V	V	V	V	V	V
Cylinder High	V	V	V	V	V	V	V	V	Cylinder High	V	V	V	V	V	V	V	V
Device/Head	-	1	-	D	-	-	-	-	Device/Head	-	-	-	-	H	H	H	H
Command	0	0	1	1	1	1	0	1	Status	see below							

Error Register								Status Register							
7	6	5	4	3	2	1	0	7	6	5	4	3	2	1	0
CRC	UNC	0	IDN	0	ABT	TON	AMN	BSY	RDY	DF	DSC	DRQ	COR	IDX	ERR
V	0	0	V	0	V	0	0	0	V	0	V	-	0	-	V

The Write DMA FUA Ext command transfers one or more sectors of data from the host to the device, and then the data is written to the disk media. This command provides the same function as the Write DMA Ext command



except that the transferred data shall be written to the media before the ending status for this command is reported also when write caching is enabled.

The sectors of data are transferred through the Data Register 16 bits at a time.

The host initializes a slave-DMA channel prior to issuing the command. Data transfers are qualified by DMARQ and are performed by the slave-DMA channel. The device issues only one interrupt per command to indicate that data transfer has terminated and status is available.

If an unrecoverable error occurs, the write will be terminated at the failing sector.

#### Output Parameters To The Device

**Sector Count Current**The number of continuous sectors to be transferred low order, bits (7:0).

**Sector Count Previous**The number of continuous sectors to be transferred high order bits (15:8). If zero is specified in the Sector Count register, then 65,536 sectors will be transferred.

**Sector Number Current**LBA (7:0).

**Sector Number Previous**LBA (31:24).

**Cylinder Low Current**LBA (15:8).

**Cylinder Low Previous**LBA (39:32).

**Cylinder High Current**LBA (23:16).

**Cylinder High Previous**LBA (47:40).

#### Input Parameters From The Device

**Sector Number (HOB=0)**LBA (7:0) of the address of the first unrecoverable error.

**Sector Number (HOB=1)**LBA (31:24) of the address of the first unrecoverable error.

**Cylinder Low (HOB=0)**LBA (15:8) of the address of the first unrecoverable error.

**Cylinder Low (HOB=1)**LBA (39:32) of the address of the first unrecoverable error.

**Cylinder High (HOB=0)**LBA (23:16) of the address of the first unrecoverable error.

**Cylinder High (HOB=1)**LBA (47:40) of the address of the first unrecoverable error.

## 12.49 Write DMA Ext (35h)

Table 140: Write DMA Ext Command (35h)

Command Block Output Registers								Command Block Input Registers							
Register	7 6 5 4 3 2 1 0							Register	7 6 5 4 3 2 1 0						
Data Low	- - - - - - - -							Data Low	- - - - - - - -						
Data High	- - - - - - - -							Data High	- - - - - - - -						
Feature	Current	- - - - - - - -						Error	see below						
	Previous	- - - - - - - -													
Sector Count	Current	V V V V V V V V						Sector Count	HOB=0	- - - - - - - -					
	Previous	V V V V V V V V						HOB=1	- - - - - - - -						
Sector Number	Current	V V V V V V V V						Sector Number	HOB=0	V V V V V V V V					
	Previous	V V V V V V V V						HOB=1	V V V V V V V V						
Cylinder Low	Current	V V V V V V V V						Cylinder Low	HOB=0	V V V V V V V V					
	Previous	V V V V V V V V						HOB=1	V V V V V V V V						
Cylinder High	Current	V V V V V V V V						Cylinder High	HOB=0	V V V V V V V V					
	Previous	V V V V V V V V						HOB=1	V V V V V V V V						
Device/Head	- 1 - D - - - -							Device/Head	- - - - - - - -						
Command	0 0 1 1 0 1 0 1							Status	See below ...						

Error Register								Status Register							
7	6	5	4	3	2	1	0	7	6	5	4	3	2	1	0
CRC	UNC	0	IDN	0	ABT	T0N	AMN	BSY	RDY	DF	DSC	DRQ	COR	IDX	ERR
V	0	0	V	0	V	0	0	0	V	0	V	-	0	-	V

The Write DMA Ext command transfers one or more sectors of data from the host to the device, then the data is written to the disk media.

The sectors of data are transferred through the Data Register 16 bits at a time.

The host initializes a slave-DMA channel prior to issuing the command. Data transfers are qualified by DMARQ and are performed by the slave-DMA channel. The device issues only one interrupt per command to indicate that data transfer has terminated and status is available.

If an uncorrectable error occurs, the write will be terminated at the failing sector.

### Output parameters to the device

<b>Sector Count Current</b>	The number of continuous sectors to be transferred low order, bits (7:0)
<b>Sector Count Previous</b>	The number of continuous sectors to be transferred low order, bits (15:8). If zero is specified in the Sector Count register, 65,536 sectors will be transferred.
<b>Sector Number Current</b>	LBA (7:0)
<b>Sector Number Previous</b>	LBA (31:24)
<b>Cylinder Low Current</b>	LBA (15:8)
<b>Cylinder Low Previous</b>	LBA (39:32)

**Cylinder High Current**      LBA (23:16)

**Cylinder High Previous**      LBA (47:40)

**Input parameters from the device**

**Sector Number (HOB=0)**      LBA (7:0) of the address of the first unrecoverable error.

**Sector Number (HOB=1)**      LBA (31:24) of the address of the first unrecoverable error.

**Cylinder Low (HOB=0)**      LBA (15:8) of the address of the first unrecoverable error.

**Cylinder Low (HOB=1)**      LBA (39:32) of the address of the first unrecoverable error.

**Cylinder High (HOB=0)**      LBA (23:16) of the address of the first unrecoverable error.

**Cylinder High (HOB=1)**      LBA (47:40) of the address of the first unrecoverable error.

## 12.50 Write FPDMA Queued (61h)

Table 141: Write FPDMA Queued (61h)

Command Block Output Registers								Command Block Input Registers							
Register	7 6 5 4 3 2 1 0							Register	7 6 5 4 3 2 1 0						
Data Low	- - - - - - - -							Data Low	- - - - - - - -						
Data High	- - - - - - - -							Data High	- - - - - - - -						
Feature	Current	- - - - - - - -						Error	see below						
	Previous	- - - - - - - -													
Sector Count	Current	V V V V V V V V						Sector Count	HOB=0	- - - - - - - -					
	Previous	V V V V V V V V						HOB=1	- - - - - - - -						
Sector Number	Current	V V V V V V V V						Sector Number	HOB=0	V V V V V V V V					
	Previous	V V V V V V V V						HOB=1	V V V V V V V V						
Cylinder Low	Current	V V V V V V V V						Cylinder Low	HOB=0	V V V V V V V V					
	Previous	V V V V V V V V						HOB=1	V V V V V V V V						
Cylinder High	Current	V V V V V V V V						Cylinder High	HOB=0	V V V V V V V V					
	Previous	V V V V V V V V						HOB=1	V V V V V V V V						
Device/Head	- 1 - D - - - -							Device/Head	- - - - - - - -						
Command	0 1 1 0 0 0 0 1							Status	See below ...						

Error Register								Status Register							
7	6	5	4	3	2	1	0	7	6	5	4	3	2	1	0
CRC	UNC	0	IDN	0	ABT	T0N	AMN	BSY	RDY	DF	DSC	DRQ	COR	IDX	ERR
V	0	0	V	0	V	0	0	0	V	0	V	-	0	-	V

The Write FPDMA Queued command transfers one or more sectors of data from the host to the device, and then the data is written to the disk media.

If an unrecoverable error occurs, the write will be terminated at the failing sector.

### Output Parameters To The Device

Feature Current The number of sectors to be transferred low order, bits (7:0).

Feature Previous The number of sectors to be transferred high order, bits (15:8).

Sector Count Current.

TAG (bits 7-3) The TAG value shall be assigned to be different from all other queued commands. The value shall not exceed the maximum queue depth specified by the Word 75 of the Identify Device information.

**Sector Number Current** LBA (7:0)

**Sector Number Previous** LBA (31:24)

**Cylinder Low Current** LBA (15:8)

**Cylinder Low Previous** LBA (39:32)

**Cylinder High Current** LBA (23:16)

**Cylinder High Previous** LBA (47:40)

## **Device/Head**

**FUA (bit 7)**When the FUA bit is set to 1, the completion status is indicated after the transferred data are written to the media also when Write Cache is enabled.

When the FUA bit is set to 0, the completion status may be indicated before the transferred data are written to the media successfully when Write Cache is enabled.

## **Input Parameters From The Device**

**Sector Number (HOB=0)**LBA (7:0) of the address of the first unrecoverable error.

**Sector Number (HOB=1)**LBA (31:24)of the address of the first unrecoverable error.

**Cylinder Low (HOB=0)**LBA (15:8)of the address of the first unrecoverable error.

**Cylinder Low (HOB=1)**LBA (39:32)of the address of the first unrecoverable error.

**Cylinder High (HOB=0)**LBA (23:16)of the address of the first unrecoverable error.

**Cylinder High (HOB=1)**LBA (47:40)of the address of the first unrecoverable error.

## 12.51 Write Log Ext (3Fh)

Table 142: Write Log Ext Command (3Fh)

Command Block Output Registers								Command Block Input Registers															
Register				7	6	5	4	3	2	1	0	Register				7	6	5	4	3	2	1	0
Data Low				-	-	-	-	-	-	-	-	Data Low				-	-	-	-	-	-	-	-
Data High				-	-	-	-	-	-	-	-	Data High				-	-	-	-	-	-	-	-
Feature	Current			-	-	-	-	-	-	-	-	Error				See below							
	Previous			-	-	-	-	-	-	-	-												
Sector Count	Current			V	V	V	V	V	V	V	V	Sector Count	HOB=0			-	-	-	-	-	-	-	
	Previous			V	V	V	V	V	V	V	V		HOB=1			-	-	-	-	-	-		
Sector Number	Current			V	V	V	V	V	V	V	V	Sector Number	HOB=0			-	-	-	-	-	-	-	
	Previous			-	-	-	-	-	-	-	-		HOB=1			-	-	-	-	-	-		
Cylinder Low	Current			V	V	V	V	V	V	V	V	Cylinder Low	HOB=0			-	-	-	-	-	-	-	
	Previous			V	V	V	V	V	V	V	V		HOB=1			-	-	-	-	-	-		
Cylinder High	Current			-	-	-	-	-	-	-	-	Cylinder High	HOB=0			-	-	-	-	-	-	-	
	Previous			-	-	-	-	-	-	-	-		HOB=1			-	-	-	-	-	-		
Device/Head				-	1	-	D	-	-	-	-	Device/Head				-	-	-	-	-	-	-	
Command				0	0	1	1	1	1	1	1	Status				See below ...							

Error Register								Status Register							
7	6	5	4	3	2	1	0	7	6	5	4	3	2	1	0
CRC	UNC	0	IDN	0	ABT	T0N	AMN	BSY	RDY	DF	DSC	DRQ	COR	IDX	ERR
0	V	0	V	0	V	0	0	0	V	0	V	-	0	-	V

This command writes a specified number of 512 byte data sectors to the specific log. The device shall interrupt for each DRQ block transferred.

### Output parameters to the device

- Sector Count Current** The number of sectors to be written to the specified log low order, bits (7:0).
- Sector Count Previous** The number of sectors to be written to the specified log high orders, bits (15:8). If the number of sectors is greater than the number indicated in the Log directory, which is available in Log number zero, the device shall return command aborted. The log transferred to the device shall be stored by the device starting at the first sector in the specified log.
- Sector Number Current** The log to be written as described in Table 77: “Log Address Definition” on page 135. If the host attempts to write to a read only log address, the device shall return command aborted.
- Cylinder Low Current** The first sector of the log to be written low order, bits (7:0).
- Cylinder Low Previous** The first sector of the log to be written high order, bits (15:8).

If the feature set associated with the log specified in the Sector Number register is not supported or enabled, or if the values in the Sector Count, Sector Number or Cylinder Low registers are invalid, the device shall return command aborted. If the host attempts to write to a read only log address, the device shall return command aborted.

## 12.52 Write Long (32h/33h)

Table 143: Write Long (32h/33h)

Command Block Output Registers								Command Block Input Registers									
Register	7	6	5	4	3	2	1	0	Register	7	6	5	4	3	2	1	0
Data	-	-	-	-	-	-	-	-	Data	-	-	-	-	-	-	-	-
Feature	-	-	-	-	-	-	-	-	Error	see below							
Sector Count	0	0	0	0	0	0	0	1	Sector Count	-	-	-	-	-	-	-	V
Sector Number	V	V	V	V	V	V	V	V	Sector Number	V	V	V	V	V	V	V	V
Cylinder Low	V	V	V	V	V	V	V	V	Cylinder Low	V	V	V	V	V	V	V	V
Cylinder High	V	V	V	V	V	V	V	V	Cylinder High	V	V	V	V	V	V	V	V
Device/Head	1	L	1	D	H	H	H	H	Device/Head	-	-	-	-	H	H	H	H
Command	0	0	1	1	0	0	1	R	Status	see below							

Error Register								Status Register							
7	6	5	4	3	2	1	0	7	6	5	4	3	2	1	0
CRC	UNC	0	IDN	0	ABT	T0N	AMN	BSY	RDY	DF	DSC	DRQ	COR	IDX	ERR
0	0	0	V	0	V	0	0	0	V	0	V	-	0	-	V

The Write Long command transfers the data and the ECC bytes of the designated one sector from the host to the device, then the data and the ECC bytes are written to the disk media.

After 512 bytes of data have been transferred, the device will keep setting DRQ = 1 to indicate that the device is ready to receive the ECC bytes from the host. The data is transferred 16 bits at a time and the ECC bytes are transferred 8 bits at a time. The number of ECC bytes are either 4 or 40 according to setting of the Set Feature option. The default number after power on is 4 bytes.

### Output parameters to the device

- Sector Count** This indicates the number of continuous sectors to be transferred. The Sector Count must be set to one.
- Sector Number** This indicates the sector number of the sector to be transferred. (L = 0)  
In LBA mode this register contains the LBA bits 0–7. (L = 1)
- Cylinder High/Low** This indicates the cylinder number of the sector to be transferred. (L = 0)  
In LBA mode this register contains the LBA bits 8–15 (Low) and bits 16–23 (High) (L = 1)
- H** This indicates the head number of the sector to be transferred. (L = 0)  
In LBA mode this register contains the LBA bits 24–27. (L = 1)
- R** The retry bit. This bit is ignored.

### Input parameters from the device

- Sector Count** This indicates the number of requested sectors not transferred.
- Sector Number** This indicates the sector number of the sector to be transferred. (L = 0)  
In LBA mode this register contains the current LBA bits 0–7. (L = 1)

**Cylinder High/Low** This indicates the cylinder number of the sector to be transferred. (L = 0)  
In LBA mode this register contains current the LBA bits 8–15 (Low) and bits 16–23 (High). (L = 1)

**H** This indicates the head number of the sector to be transferred. (L = 0)  
In LBA mode this register contains current the LBA bits 24–27. (L = 1)

The drive internally uses 52 bytes of ECC on all data read or writes. The 4-byte mode of operation is provided by means of an emulation technique. As a consequence of this emulation it is recommended that 52-byte ECC mode be used for all tests to confirm the operation of the ECC hardware of the drive. Unexpected results may occur if such testing is performed using 4-byte mode.



## 12.53 Write Multiple (C5h)

Table 144: Write Multiple (C5h)

Command Block Output Registers								Command Block Input Registers									
Register	7	6	5	4	3	2	1	0	Register	7	6	5	4	3	2	1	0
Data	-	-	-	-	-	-	-	-	Data	-	-	-	-	-	-	-	-
Feature	-	-	-	-	-	-	-	-	Error	see below							
Sector Count	V	V	V	V	V	V	V	V	Sector Count	V	V	V	V	V	V	V	V
Sector Number	V	V	V	V	V	V	V	V	Sector Number	V	V	V	V	V	V	V	V
Cylinder Low	V	V	V	V	V	V	V	V	Cylinder Low	V	V	V	V	V	V	V	V
Cylinder High	V	V	V	V	V	V	V	V	Cylinder High	V	V	V	V	V	V	V	V
Device/Head	1	L	1	D	H	H	H	H	Device/Head	-	-	-	-	H	H	H	H
Command	1	1	0	0	0	1	0	1	Status	see below							

Error Register								Status Register							
7	6	5	4	3	2	1	0	7	6	5	4	3	2	1	0
CRC	UNC	0	IDN	0	ABT	T0N	AMN	BSY	RDY	DF	DSC	DRQ	COR	IDX	ERR
0	0	0	V	0	V	0	0	0	V	0	V	-	0	-	V

The Write Multiple command transfers one or more sectors from the host to the device. The data is then written to the disk media.

Command execution is identical to the Write Sectors command except that an interrupt is generated for each block as defined by the Set Multiple command instead of for each sector. The sectors are transferred through the Data Register 16 bits at a time.

### Output parameters to the device

- Sector Count** This indicates the number of continuous sectors to be transferred. If the Sector Count of zero is specified, 256 sectors will be transferred.
- Sector Number** This indicates the sector number of the first sector to be transferred. (L = 0)  
In LBA mode this register contains the LBA bits 0–7. (L = 1)
- Cylinder High/Low** This indicates the cylinder number of the first sector to be transferred. (L = 0)  
In LBA mode this register contains the LBA bits 8–15 (Low) and bits 16–23 (High). (L = 1)
- H** This indicates the head number of the first sector to be transferred. (L = 0)  
In LBA mode this register contains the LBA bits 24–27. (L = 1)

### Input parameters from the device

- Sector Count** This indicates the number of requested sectors not transferred. The Sector Count will be zero, unless an unrecoverable error occurs.
- Sector Number** This indicates the sector number of the last transferred sector. (L = 0)  
In LBA mode this register contains current the LBA bits 0–7. (L = 1)

- Cylinder High/Low** This indicates the cylinder number of the last transferred sector. (L = 0)  
In LBA mode this register contains the current LBA bits 8–15 (Low) and bits 16–23 (High). (L = 1)
- H** This indicates the head number of the last transferred sector. (L = 0)  
In LBA mode this register contains current the LBA bits 24–27. (L = 1)

## 12.54 Write Multiple Ext (39h)

Table 145: WriteMultiple Ext Command (39h)

Command Block Output Registers								Command Block Input Registers															
Register				7	6	5	4	3	2	1	0	Register				7	6	5	4	3	2	1	0
Data Low				-	-	-	-	-	-	-	-	Data Low				-	-	-	-	-	-	-	-
Data High				-	-	-	-	-	-	-	-	Data High				-	-	-	-	-	-	-	-
Feature	Current			V	V	V	V	V	V	V	V	Error				See below							
	Previous			V	V	V	V	V	V	V	V												
Sector Count	Current			V	V	V	V	V	-	-	-	Sector Count	HOB=0			V	V	V	V	V	V	V	V
	Previous			-	-	-	-	-	-	-	-		HOB=1			-	-	-	-	-	-	-	
Sector Number	Current			V	V	V	V	V	V	V	V	Sector Number	HOB=0			V	V	V	V	V	V	V	V
	Previous			V	V	V	V	V	V	V	V		HOB=1			V	V	V	V	V	V	V	
Cylinder Low	Current			V	V	V	V	V	V	V	V	Cylinder Low	HOB=0			V	V	V	V	V	V	V	V
	Previous			V	V	V	V	V	V	V	V		HOB=1			V	V	V	V	V	V	V	
Cylinder High	Current			V	V	V	V	V	V	V	V	Cylinder High	HOB=0			V	V	V	V	V	V	V	V
	Previous			V	V	V	V	V	V	V	V		HOB=1			V	V	V	V	V	V	V	
Device/Head				-	1	-	D	-	-	-	-	Device/Head				-	-	-	-	-	-	-	-
Command				0	0	1	1	1	0	0	1	Status				See below ...							

Error Register								Status Register							
7	6	5	4	3	2	1	0	7	6	5	4	3	2	1	0
CRC	UNC	0	IDN	0	ABT	T0N	AMN	BSY	RDY	DF	DSC	DRQ	COR	IDX	ERR
0	0	0	V	0	V	0	0	0	V	0	V	-	0	-	V

The Write Multiple Ext command transfers one or more sectors from the host to the device, then the data is written to the disk media.

Command execution is identical to the Write Sector(s) Ext command except that an interrupt is generated for each block (as defined by the Set Multiple command) instead of for each sector. The sectors are transferred through the Data Register 16 bits at a time.

### Output parameters to the device

<b>Sector Count Current</b>	The number of continuous sectors to be transferred low order, bits (7:0)
<b>Sector Count Previous</b>	The number of continuous sectors to be transferred high order, bits (15:8). If zero is specified in the Sector Count register, then 65,536 sectors shall be transferred.
<b>Sector Number Current</b>	LBA (7:0)
<b>Sector Number Previous</b>	LBA (31:24)
<b>Cylinder Low Current</b>	LBA (15:8)
<b>Cylinder Low Previous</b>	LBA (39:32)
<b>Cylinder High Current</b>	LBA (23:16)
<b>Cylinder High Previous</b>	LBA (47:40)

### **Input parameters from the device**

<b>Sector Number (HOB=0)</b>	LBA (7:0) of the address of the first unrecoverable error.
<b>Sector Number (HOB=1)</b>	LBA (31:24) of the address of the first unrecoverable error.
<b>Cylinder Low (HOB=0)</b>	LBA (15:8) of the address of the first unrecoverable error.
<b>Cylinder Low (HOB=1)</b>	LBA (39:32) of the address of the first unrecoverable error.
<b>Cylinder High (HOB=0)</b>	LBA (23:16) of the address of the first unrecoverable error.
<b>Cylinder High (HOB=1)</b>	LBA (47:40) of the address of the first unrecoverable error.

## 12.55 Write Multiple FUA Ext (CEh)

Table 146: Write Multiple FUA Ext (CEh)

Command Block Output Registers								Command Block Input Registers															
Register				7	6	5	4	3	2	1	0	Register				7	6	5	4	3	2	1	0
Data Low				-	-	-	-	-	-	-	-	Data Low				-	-	-	-	-	-	-	-
Data High				-	-	-	-	-	-	-	-	Data High				-	-	-	-	-	-	-	-
Feature	Current		-	-	-	-	-	-	-	-	-	Error				See below							
	Previous		-	-	-	-	-	-	-	-													
Sector Count	Current		V	V	V	V	V	V	V	V	V	Sector Count	HOB=0		V	V	V	V	V	V	V	V	
	Previous		V	V	V	V	V	V	V	V	V		HOB=1		V	V	V	V	V	V	V		
Sector Number	Current		V	V	V	V	V	V	V	V	V	Sector Number	HOB=0		V	V	V	V	V	V	V	V	
	Previous		V	V	V	V	V	V	V	V	V		HOB=1		V	V	V	V	V	V	V		
Cylinder Low	Current		V	V	V	V	V	V	V	V	V	Cylinder Low	HOB=0		V	V	V	V	V	V	V	V	
	Previous		V	V	V	V	V	V	V	V	V		HOB=1		V	V	V	V	V	V	V		
Cylinder High	Current		V	V	V	V	V	V	V	V	V	Cylinder High	HOB=0		V	V	V	V	V	V	V	V	
	Previous		V	V	V	V	V	V	V	V	V		HOB=1		V	V	V	V	V	V	V		
Device/Head				-	1	-	D	-	-	-	-	Device/Head				-	-	-	-	-	-	-	-
Command				1	1	0	0	1	1	1	0	Status				See below ...							

Error Register								Status Register							
7	6	5	4	3	2	1	0	7	6	5	4	3	2	1	0
CRC	UNC	0	IDN	0	ABT	T0N	AMN	BSY	RDY	DF	DSC	DRQ	COR	IDX	ERR
0	0	0	V	0	V	0	0	0	V	0	V	-	0	-	V

The Write Multiple Ext command transfers one or more sectors from the host to the device, and then the data is written to the disk media. This command provides the same function as the Write Multiple Ext command except that the transferred data shall be written to the media before the ending status for this command is reported also when write caching is enabled.

Command execution is identical to the Write Sector(s) Ext command except that an interrupt is generated for each block (as defined by the Set Multiple command) instead of for each sector. The sectors are transferred through the Data Register 16 bits at a time.

### **Output Parameters To The Device**

**Sector Count Current**The number of continuous sectors to be transferred low order, bits (7:0)

**Sector Count Previous**The number of continuous sectors to be transferred high order, bits (15:8). If zero is specified in the Sector Count register, then 65,536 sectors shall be transferred.

**Sector Number Current**LBA (7:0).

**Sector Number Previous**LBA (31:24).

**Cylinder Low Current**LBA (15:8).

**Cylinder Low Previous**LBA (39:32).

**Cylinder High Current**LBA (23:16).

**Cylinder High Previous**LBA (47:40).

### **Input Parameters From The Device**

**Sector Number (HOB=0)**LBA (7:0) of the address of the first unrecoverable error.

**Sector Number (HOB=1)**LBA (31:24) of the address of the first unrecoverable error.

**Cylinder Low (HOB=0)**LBA (15:8) of the address of the first unrecoverable error.

**Cylinder Low (HOB=1)**LBA (39:32) of the address of the first unrecoverable error.

**Cylinder High (HOB=0)**LBA (23:16) of the address of the first unrecoverable error.

**Cylinder High (HOB=1)**LBA (47:40) of the address of the first unrecoverable error.

## 12.56 Write Sectors (30h/31h)

Table 147: Write Sectors command (30h/31h)

Command Block Output Registers								Command Block Input Registers									
Register	7	6	5	4	3	2	1	0	Register	7	6	5	4	3	2	1	0
Data	-	-	-	-	-	-	-	-	Data	-	-	-	-	-	-	-	-
Feature	-	-	-	-	-	-	-	-	Error	see below							
Sector Count	V	V	V	V	V	V	V	V	Sector Count	V	V	V	V	V	V	V	V
Sector Number	V	V	V	V	V	V	V	V	Sector Number	V	V	V	V	V	V	V	V
Cylinder Low	V	V	V	V	V	V	V	V	Cylinder Low	V	V	V	V	V	V	V	V
Cylinder High	V	V	V	V	V	V	V	V	Cylinder High	V	V	V	V	V	V	V	V
Device/Head	1	L	1	D	H	H	H	H	Device/Head	-	-	-	-	H	H	H	H
Command	0	0	1	1	0	0	0	R	Status	see below							

Error Register								Status Register							
7	6	5	4	3	2	1	0	7	6	5	4	3	2	1	0
CRC	UNC	0	IDN	0	ABT	T0N	AMN	BSY	RDY	DF	DSC	DRQ	COR	IDX	ERR
0	0	0	V	0	V	0	0	0	V	0	V	-	0	-	V

The Write Sectors command transfers one or more sectors from the host to the device. The data is then written to the disk media.

The sectors are transferred through the Data Register 16 bits at a time.

If an uncorrectable error occurs, the write will be terminated at the failing sector.

### Output parameters to the device

- Sector Count** This indicates the number of continuous sectors to be transferred. If zero is specified, 256 sectors will be transferred.
- Sector Number** This indicates the sector number of the first sector to be transferred. (L = 0)  
In LBA mode this register contains the LBA bits 0–7. (L = 1)
- Cylinder High/Low** This indicates the cylinder number of the first sector to be transferred. (L = 0)  
In LBA mode this register contains the LBA bits 8–15 (Low) and bits 16–23 (High) (L = 1)
- H** This indicates the head number of the first sector to be transferred. (L = 0)  
In LBA mode this register contains the LBA bits 24–27. (L = 1)
- R** This indicates the retry bit. this bit is ignored.

### Input parameters from the device

- Sector Count** This indicates the number of requested sectors not transferred. This will be zero unless an unrecoverable error occurs.
- Sector Number** This indicates the sector number of the last transferred sector. (L = 0)  
In LBA mode this register contains the current LBA bits 0–7. (L = 1)

**Cylinder High/Low** This indicates the cylinder number of the last transferred sector. (L = 0)  
In LBA mode this register contains the current LBA bits 8–15 (Low) and 16–23 (High).  
(L = 1)

**H** This indicates the head number of the last transferred sector. (L = 0)  
In LBA mode this register contains the current LBA bits 24–27. (L = 1)



## 12.57 Write Sectors Ext (34h)

Table 148: Write Sectors Ext (34h)

Command Block Output Registers								Command Block Input Registers									
Register	7 6 5 4 3 2 1 0							Register	7 6 5 4 3 2 1 0								
Data Low	- - - - - - - -							Data Low	- - - - - - - -								
Data High	- - - - - - - -							Data High	- - - - - - - -								
Feature	Current	- - - - - - - -							Error	See below							
	Previous	- - - - - - - -															
Sector Count	Current	V	V	V	V	V	V	V	Sector Count	HOB=0	- - - - - - - -						
	Previous	V	V	V	V	V	V	V		HOB=1	- - - - - - - -						
Sector Number	Current	V	V	V	V	V	V	V	Sector Number	HOB=0	V	V	V	V	V	V	V
	Previous	V	V	V	V	V	V	V		HOB=1	V	V	V	V	V	V	V
Cylinder Low	Current	V	V	V	V	V	V	V	Cylinder Low	HOB=0	V	V	V	V	V	V	V
	Previous	V	V	V	V	V	V	V		HOB=1	V	V	V	V	V	V	V
Cylinder High	Current	V	V	V	V	V	V	V	Cylinder High	HOB=0	V	V	V	V	V	V	V
	Previous	V	V	V	V	V	V	V		HOB=1	V	V	V	V	V	V	V
Device/Head	- 1 - D - - - -							Device/Head	- - - - - - - -								
Command	0 0 1 1 0 1 0 0							Status	See below ...								

Error Register								Status Register							
7	6	5	4	3	2	1	0	7	6	5	4	3	2	1	0
CRC	UNC	0	IDN	0	ABT	T0N	AMN	BSY	RDY	DF	DSC	DRQ	COR	IDX	ERR
0	0	0	V	0	V	0	0	0	V	V	V	-	0	-	V

The Write Sectors command transfers one or more sectors from the host to the device; the data is then written to the disk media.

The sectors are transferred through the Data Register 16 bits at a time.

If an uncorrectable error occurs, the write will be terminated at the failing sector.

### Output parameters to the device

- Sector Count Current**      The number of continuous sectors to be transferred low order, bits (7:0)
- Sector Count Previous**    The number of continuous sectors to be transferred high order, bits (15:8). If zero is specified, 65,536 sectors shall be transferred.
- Sector Number Current**    LBA (7:0)
- Sector Number Previous**    LBA (31:24)
- Cylinder Low Current**      LBA (15:8)
- Cylinder Low Previous**     LBA (39:32)
- Cylinder High Current**     LBA (23:16)
- Cylinder High Previous**    LBA (47:40)

### **Input parameters from the device**

<b>Sector Number (HOB=0)</b>	LBA (7:0) of the address of the first unrecoverable error.
<b>Sector Number (HOB=1)</b>	LBA (31:24) of the address of the first unrecoverable error.
<b>Cylinder Low (HOB=0)</b>	LBA (15:8) of the address of the first unrecoverable error.
<b>Cylinder Low (HOB=1)</b>	LBA (39:32) of the address of the first unrecoverable error.
<b>Cylinder High (HOB=0)</b>	LBA (23:16) of the address of the first unrecoverable error.
<b>Cylinder High (HOB=1)</b>	LBA (47:40) of the address of the first unrecoverable error.

## 12.58 Write Stream DMA (3Ah)

Table 149: Write Stream DMA Command (3Ah)

Command Block Output Registers								Command Block Input Registers															
Register				7	6	5	4	3	2	1	0	Register				7	6	5	4	3	2	1	0
Data Low				-	-	-	-	-	-	-	-	Data Low				-	-	-	-	-	-	-	-
Data High				-	-	-	-	-	-	-	-	Data High				-	-	-	-	-	-	-	-
Feature	Current		V	V	V	V	-	V	V	V		Error		See below									
	Previous		V	V	V	V	V	V	V	V													
Sector Count	Current		V	V	V	V	V	V	V	V		Sector	HOB=0	-									
	Previous		V	V	V	V	V	V	V	V		Count	HOB=1	-									
Sector Number	Current		V	V	V	V	V	V	V	V		Sector Number	HOB=0	V V V V V V V V									
	Previous		V	V	V	V	V	V	V	V			HOB=1	V V V V V V V V									
Cylinder Low	Current		V	V	V	V	V	V	V	V		Cylinder Low	HOB=0	V V V V V V V V									
	Previous		V	V	V	V	V	V	V	V			HOB=1	V V V V V V V V									
Cylinder High	Current		V	V	V	V	V	V	V	V		Cylinder High	HOB=0	V V V V V V V V									
	Previous		V	V	V	V	V	V	V	V			HOB=1	V V V V V V V V									
Device/Head				1	1	1	D	-	-	-	-	Device/Head				-							
Command				0	0	1	1	1	0	1	0	Status				See below ...							

Error Register								Status Register							
7	6	5	4	3	2	1	0	7	6	5	4	3	2	1	0
CRC	UNC	0	IDN	0	ABT	T0N	AMN	BSY	RDY	DF	DSC	DRQ	COR	IDX	ERR
V	V	0	V	0	V	0	V	0	V	V	V	-	0	-	V

The Write Stream DMA command allows the host to write data using the DMA data transfer protocol. This command allows for the host to specify to the device that additional actions need to be performed prior to the completion of the command if the required bits are set.

If the Write Continuous bit is set to one, the device shall not stop execution of the command due to errors. If the WC bit is set to one and errors occur in the transfer or writing of the data, the device shall continue to transfer the amount of data requested and then provide ending status with the BSY bit cleared to zero, the SE bit set to one, the ERR bit cleared to zero, and the type of error, ICRC, IDNF, or ABRT, reported in the error log. If the WC bit is set to one and the Command Completion Time Limit expires, the device shall stop execution of the command and provide ending status with BSY bit cleared to zero, the SE bit set to one, the ERR bit cleared to zero, and report the fact that the Command Completion Time Limit expired by setting the CCTO bit in the error log to one. In all cases, the device shall attempt to transfer the amount of data requested within the Command Completion Time Limit event if some data transferred is in error.

## Output Parameters To The Device

### Feature Current

**URG (bit7)** URG specifies an urgent transfer request. The Urgent bit specifies that the command should be completed in the minimum possible time by the device and shall be completed within the specified Command Completion Time Limit.

**WC (bit6)** WC specifies Write Continuous mode enabled. If the Write Continuous bit is set to one, the device shall not stop execution of the command due to errors. If the WC bit is set to one and errors occur in transfer or writing of the data, the device shall continue to transfer the amount of data requested and then provide ending status with BSY bit cleared to zero, the SE bit set to one, the ERR bit cleared to zero, and the type of error, ICRC, IDNF or ABRT reported in the error log.

If the WC bit is set to one and the Command Completion Time Limit expires, the device shall stop execution of the command and provide ending status with the BSY bit cleared to zero, the SE bit set to one, the ERR bit cleared to zero, and report the fact that the Command Completion Time Limit expired by setting the CCTO bit in the error log to one.

In all cases, the device shall attempt to transfer the amount of data requested within the Command Completion Time Limit even if some data transferred is in error.

**F (bit5)** F specifies that all data for the specified stream shall be flushed to the media before command complete is reported when set to one.

**HSE (bit4)** HSE (Handle Stream Error) specifies that this command starts at the LBA of the last reported error for this stream, so the device may attempt to continue its corresponding error recovery sequence where it left off earlier.

**Stream ID (bit 0..2)** Stream ID specifies the stream being written. The device shall operate according to the Stream ID set by the Write Stream command.

### Feature Previous CCTL (7:0)

The time allowed for the current command's completion is calculated as follows:

Command Completion Time Limit = (content of the Feature register Previous) \* (Identify Device words (99:98)) useconds

If the value is zero, the device shall use the Default CCTL supplied with a previous Configure Stream command for this Stream ID. If the Default CCTL is zero, or no previous Configure Stream command was defined for this Stream ID, the device will ignore the CCTL. The time is measured from the write of the command register to the final INTRQ for command completion.

### Sector Count Current

The number of continuous sectors to be transferred low order, bits (7:0)

### Sector Count Previous

The number of continuous sectors to be transferred high order, bits (15:8). If zero is specified in the Sector Count register, then 65,536 sectors will be transferred.

### Sector Number Current

LBA (7:0).

### Sector Number Previous

LBA (31:24).

### Cylinder Low Current

LBA (15:8).

### Cylinder Low Previous

LBA (39:32).

### Cylinder High Current

LBA (23:16).

### Cylinder High Previous

LBA (47:40).

## 12.59 Write Stream PIO (3Bh)

Table 150: Write Stream PIO Command (3Bh)

Command Block Output Registers								Command Block Input Registers											
Register	7	6	5	4	3	2	1	0	Register	7	6	5	4	3	2	1	0		
Data Low	-	-	-	-	-	-	-	-	Data Low	-	-	-	-	-	-	-	-		
Data High	-	-	-	-	-	-	-	-	Data High	-	-	-	-	-	-	-	-		
Feature	Current	V	V	V	V	-	V	V	V	Error	See below								
	Previous	V	V	V	V	V	V	V	V										
Sector Count	Current	V	V	V	V	V	V	V	V	Sector Count	HOB=0	-							
	Previous	V	V	V	V	V	V	V	V		HOB=1	-							
Sector Number	Current	V	V	V	V	V	V	V	V	Sector Number	HOB=0	V	V	V	V	V	V	V	V
	Previous	V	V	V	V	V	V	V	V		HOB=1	V	V	V	V	V	V	V	V
Cylinder Low	Current	V	V	V	V	V	V	V	V	Cylinder Low	HOB=0	V	V	V	V	V	V	V	V
	Previous	V	V	V	V	V	V	V	V		HOB=1	V	V	V	V	V	V	V	V
Cylinder High	Current	V	V	V	V	V	V	V	V	Cylinder High	HOB=0	V	V	V	V	V	V	V	V
	Previous	V	V	V	V	V	V	V	V		HOB=1	V	V	V	V	V	V	V	V
Device/Head	1	1	1	D	-	-	-	-	Device/Head	-									
Command	0	0	1	1	1	0	1	0	Status	See below ...									

Error Register								Status Register							
7	6	5	4	3	2	1	0	7	6	5	4	3	2	1	0
CRC	UNC	0	IDN	0	ABT	T0N	AMN	BSY	RDY	DF	DSC	DRQ	COR	IDX	ERR
V	V	0	V	0	V	0	V	0	V	V	V	-	0	-	V

This command writes from 1 to 65536 sectors as specified in the Sector Count register. A sector count of 0 requests 65536 sectors.

If the Write Continuous bit is set to one, the device shall not stop execution of the command due to errors. If the WC bit is set to one and errors occur in the transfer or writing of the data, the device shall continue to transfer the amount of data requested and then provide ending status with the BSY bit cleared to zero, the SE bit set to one, the ERR bit cleared to zero, and the type of error, IDNF, or ABRT, reported in the error log. If the WC bit is set to one and the Command Completion Time Limit expires, the device shall stop execution of the command and provide ending status with BSY bit cleared to zero, the SE bit set to one, the ERR bit cleared to zero, and report the fact that the Command Completion Time Limit expired by setting the CCTO bit in the error log to one. In all cases, the device shall attempt to transfer the amount of data requested within the Command Completion Time Limit event if some data transferred is in error.

## Output Parameters To The Device

### Feature Current

**URG (bit7)** URG specifies an urgent transfer request. The Urgent bit specifies that the command should be completed in the minimum possible time by the device and shall be completed within the specified Command Completion Time Limit.

**WC (bit6)** WC specifies Write Continuous mode enabled. If the Write Continuous bit is set to one, the device shall not stop execution of the command due to errors. If the WC bit is set to one and errors occur in transfer or writing of the data, the device shall continue to transfer the amount of data requested and then provide ending status with BSY bit cleared to zero, the SE bit set to one, the ERR bit cleared to zero, and the type of error, IDNF or ABRT reported in the error log.

If the WC bit is set to one and the Command Completion Time Limit expires, the device shall stop execution of the command and provide ending status with the BSY bit cleared to zero, the SE bit set to one, the ERR bit cleared to zero, and report the fact that the Command Completion Time Limit expired by setting the CCTO bit in the error log to one.

In all cases, the device shall attempt to transfer the amount of data requested within the Command Completion Time Limit even if some data transferred is in error.

**F (bit5)** F specifies that all data for the specified stream shall be flushed to the media before command complete is reported when set to one.

**HSE (bit4)** HSE (Handle Stream Error) specifies that this command starts at the LBA of the last reported error for this stream, so the device may attempt to continue its corresponding error recovery sequence where it left off earlier.

**Stream ID (bit 0..2)** Stream ID specifies the stream being written. The device shall operate according to the Stream ID set by the Write Stream command.

**Feature Previous** The time allowed for the current command's completion is calculated as follows:

Command Completion Time Limit = (content of the Feature register Previous) \* (Identify Device words (99:98)) useconds

If the value is zero, the device shall use the Default CCTL supplied with a previous Configure Stream command for this Stream ID. If the Default CCTL is zero, or no previous Configure Stream command was defined for this Stream ID, the device will ignore the CCTL. The time is measured from the write of the command register to the final INTRQ for command completion.

**Sector Count Current** The number of continuous sectors to be transferred low order, bits (7:0)

**Sector Count Previous** The number of continuous sectors to be transferred high order, bits (15:8). If zero is specified in the Sector Count register, then 65,536 sectors will be transferred.

**Sector Number Current** LBA (7:0).

**Sector Number Previous** LBA (31:24).

**Cylinder Low Current** LBA (15:8).

**Cylinder Low Previous** LBA (39:32).

**Cylinder High Current** LBA (23:16).

**Cylinder High Previous** LBA (47:40).

### Input Parameters From The Device

<b>Sector Number (HOB=0)</b>	LBA (7:0) of the address of the first unrecoverable error.
<b>Sector Number (HOB=1)</b>	LBA (31:24) of the address of the first unrecoverable error.
<b>Cylinder Low (HOB=0)</b>	LBA (15:8) of the address of the first unrecoverable error.
<b>Cylinder Low (HOB=1)</b>	LBA (39:32) of the address of the first unrecoverable error.
<b>Cylinder High (HOB=0)</b>	LBA (23:16) of the address of the first unrecoverable error.
<b>Cylinder High (HOB=1)</b>	LBA (47:40) of the address of the first unrecoverable error.
<b>CCTO (Error, bit 0)</b>	CCTO bit shall be set to one if a Command Completion Time Limit Out error has occurred.
<b>SE (Status, bit 5)</b>	SE (Stream Error) shall be set to one if an error has occurred during the execution of the command and the WC bit is set to one, In this case the LBA returned in the Sector Number registers shall be the address of the first sector in error, and the Sector Count registers shall contain the number of consecutive sectors that may contain errors. If the WC bit is set to one when the command is issued and an IDNF, ABRT, or CCTO error occurs, the SE bit shall be set to one, the ERR bit shall be cleared to zero, and the bits that would normally be set in the Error register shall be set in the error log.
<b>DWE (Status, bit 4)</b>	DWE (Deferred Write Error) shall be set to one if an error was detected in a deferred write to the media. This error is from a previously issued command. If DWE is set to one, the location of the deferred error is only reported in the Write Stream error log.





## 13.0 Timings

The timing of BSY and DRQ in Status Register are shown in the table below.

**Table 151: Time-out values**

	INTERVAL	START	STOP	TIME-OUT
<b>Power On</b>	Device Busy After Power On	Power On	Status Register BSY=1	400 ns
	Device Ready After Power On	Power On	Status Register BSY=1 and RDY=1	31 sec
<b>Software Reset</b>	Device Busy After Software Reset	Device Control Register RST=1	Status Register BSY=1	400 ns
	Device Ready After Software Reset	Device Control Register RST=0 After RST=1	Status Register BSY=0 and RDY=1	31 sec
<b>COMRESET</b>	Device Busy After COMRESET	COMRESET Signal asserted	The device sets BSY(=0) and RDY(=1) to the Status Register and sends a Register FIS to the Host.	31 sec
<b>Non-Data Command</b>	Device Busy After a Register FIS to issue a command	The host sets proper values in the registers and sends a Register FIS	The host sets BSY(=1) to the Status register	400 ns
	A Register FIS to report Command Complete	The host sets BSY(=1) to the Status Register	The device sets the status of the command to the Status Register and sends a Register FIS to the host	30 sec
<b>PIO Data Out Command</b>	Device Busy after a Register FIS to issue command	The host sets proper values in the registers and sends a Register FIS	The host sets BSY(=1) to the Status Register	400 ns
	PIO Setup FIS for data-in transfer	The host sets BSY(=1) to the Status Register	The device sets BSY(=0) to the Status Register and sends a PIO Setup FIS to the host.	30 sec
	Device Busy after data-in transfer	A PIO Setup FIS is transferred to the host.	The host sets BSY(=1) to the Status Register	400 ns
<b>PIO Data Out Command</b>	Device Busy after a Register FIS to issue a command	The host sets proper values in the registers and sends a Register FIS	The host sets BSY(=1) to the Status Register	400 ns
	Device Busy after data-out transfer	The host sends a Data FIS to the device.	The host sets BSY(=1) to the Status Register	400 ns
	PIO Setup FIS for data-out transfer	The host sets BSY(=1) to the Status Register	The device sets BSY(=0) and DRQ(=1) to the Status Register and sends a PIO Setup FIS to the host.	30 sec

**Table 151: Time-out values**

	<b>INTERVAL</b>	<b>START</b>	<b>STOP</b>	<b>TIME-OUT</b>
<b>DMA Data Transfer Command</b>	Device Busy after a Register FIS to issue a command	The hosts sets proper values in the registers and sends a Register FIS	The host sets BSY(=1) to the Status Register	400 ns

Command category is referred to in section 11.0, "Command protocol" on page 87.

The abbreviations "ns", " $\mu$ s", "ms," and "sec" mean nanoseconds, microseconds, milliseconds, and seconds, respectively.

If the host detects a time-out while waiting for a response from the device, it is recommend that the host system execute a Soft reset and then retry the command.

# Numerics

48-bit Address Feature .....	82
48-bit Address Feature Set .....	82

## A

Abbreviations .....	11
Acoustics .....	45
Actuator .....	19
Address Offset .....	80
Address Offset Feature .....	80
Advanced Power Managemen .....	78
Alternate Status Register .....	52
Attribute thresholds .....	63
Attribute values .....	63
Attributes .....	63
Auto Reassign function .....	76
Automatic Acoustic Management .....	79

## B

BSMI mark .....	47
BSY .....	56

## C

Cable noise interference .....	40
Capacity, formatted .....	21
Caution .....	13
CE mark .....	47
Command descriptions .....	95
Command overhead .....	24
Command protocol .....	87
Command Register .....	52
Command table .....	70
Connector locations .....	42
Control electronics .....	19
Corrosion test .....	38
CSA approval .....	46
C-TICK mark .....	47

Cylinder allocation .....	22, 23
Cylinder High Register .....	52
Cylinder Low Register .....	52

## D

Data In commands .....	88
Data integrity .....	31
Data Out Commands .....	90
Data Register .....	53
Data Reliability .....	40
Data sheet .....	21, 22
Data transfer speed .....	27
DC power connector .....	33
DC power requirements .....	38
Defect flagging strategy .....	31
Deviations from standard .....	49
Device Control Register .....	53
Device/Head Register .....	53
DMA commands .....	93
DMA Data Transfer commands .....	93
Drive Address Register .....	53
Drive characteristics .....	21
Drive format .....	22
Drive organization .....	22
Drive ready time .....	26

## E

Electrical interface .....	33
Electrical interface specification .....	33
Electromagnetic compatibility .....	46, 47
Environment .....	37
Error log .....	64
Error Register .....	54

## F

Features Register .....	54
Fixed-disk subsystem .....	19
Flammability .....	46
Flush Cache .....	109

Flush to Disk bit .....	83
Formatted capacity .....	21
Functional specification .....	17

## G

General .....	11
General features .....	15
General operation .....	57

## H

Handle Streaming Error bit .....	84
Head disk assembly .....	19
Head disk assembly data .....	19
Heads unload .....	43
Humidity .....	37

## I

Identification labels .....	45
Input voltage .....	38
Interface capability for power modes .....	62
Introduction .....	11

## L

Labels, Identification .....	45
Latency, average .....	26
LBA addressing mode .....	59
Load/unload .....	40
Logical CHS addressing mode .....	59

## M

Master Password setting .....	66
Mechanical positioning .....	24
Mechanical specifications .....	41
Mode transition time .....	29
Mounting hole locations .....	41, 42

Mounting orientation .....	43
----------------------------	----

## N

Non-data commands .....	92
Not Sequential bit .....	83

## O

Off-line read scanning .....	63
Operating modes .....	29
description 27	
Operating shock .....	44
Operation example .....	66

## P

Packaging .....	47
Passwords .....	66
Performance characteristics .....	24
Physical dimensions .....	41
Power consumption efficiency .....	39
Power management commands .....	61
Power management features .....	61
Power supply current .....	39
Preventive maintenance .....	40
Protected Area .....	72

## R

Read Continuous bit .....	84
Reassign function .....	76
References .....	11
Register initialization .....	58
Register set .....	51
Registers .....	51
Reset response .....	57

# S

S.M.A.R.T. commands .....	63
S.M.A.R.T. Function Set 192	
S.M.A.R.T. Function Set .....	192
Safety .....	46
Secondary circuit protection .....	46
Sector Addressing .....	59
Sector Addressing Mode .....	59
Sector Count Register .....	55
Sector Number Register .....	55
Security extensions .....	73
Security level .....	65
Security mode .....	65
Security Mode Feature Set .....	65
Seek overlap .....	74
Seek time	
average 24	
full stroke 25	
single track 26	
Self-test .....	64
Service life .....	40
Shock .....	43
Signal definitions .....	34
Standby timer .....	61
Status Register .....	55
Streaming commands .....	83
Streaming feature Set .....	82
Streaming Logs .....	84

# T

Temperature .....	37
Threshold exceeded condition .....	63
Time-out values .....	237
Timings .....	237

# U

UL approval .....	46
Urgent bit .....	83

## V

Vibration .....	43
-----------------	----

## W

Weight .....	41
World Wide Name Assignment .....	22
Write Buffer .....	209
Write cache function .....	75
Write Continuous bit .....	84



© Copyright Hitachi Global Storage Technologies

Hitachi Global Storage Technologies  
5600 Cottle Road  
San Jose, CA 95193  
Produced in the United States

09/2006

All rights reserved Travelstar™ is a trademark of Hitachi Global Storage Technologies.

Microsoft, Windows XP, and Windows are trademarks of Microsoft Corporation in the United States, other countries, or both.

Other product names are trademarks or registered trademarks of their respective companies.

References in this publication to Hitachi Global Storage Technologies products, programs or services do not imply that Hitachi Global Storage Technologies intends to make these available in all countries in which Hitachi Global Storage Technologies operates.

Product information is provided for information purposes only and does not constitute a warranty.

Information is true as of the date of publication and is subject to change. Actual results may vary.

This publication is for general guidance only. Photographs may show design models.

12 September 2006